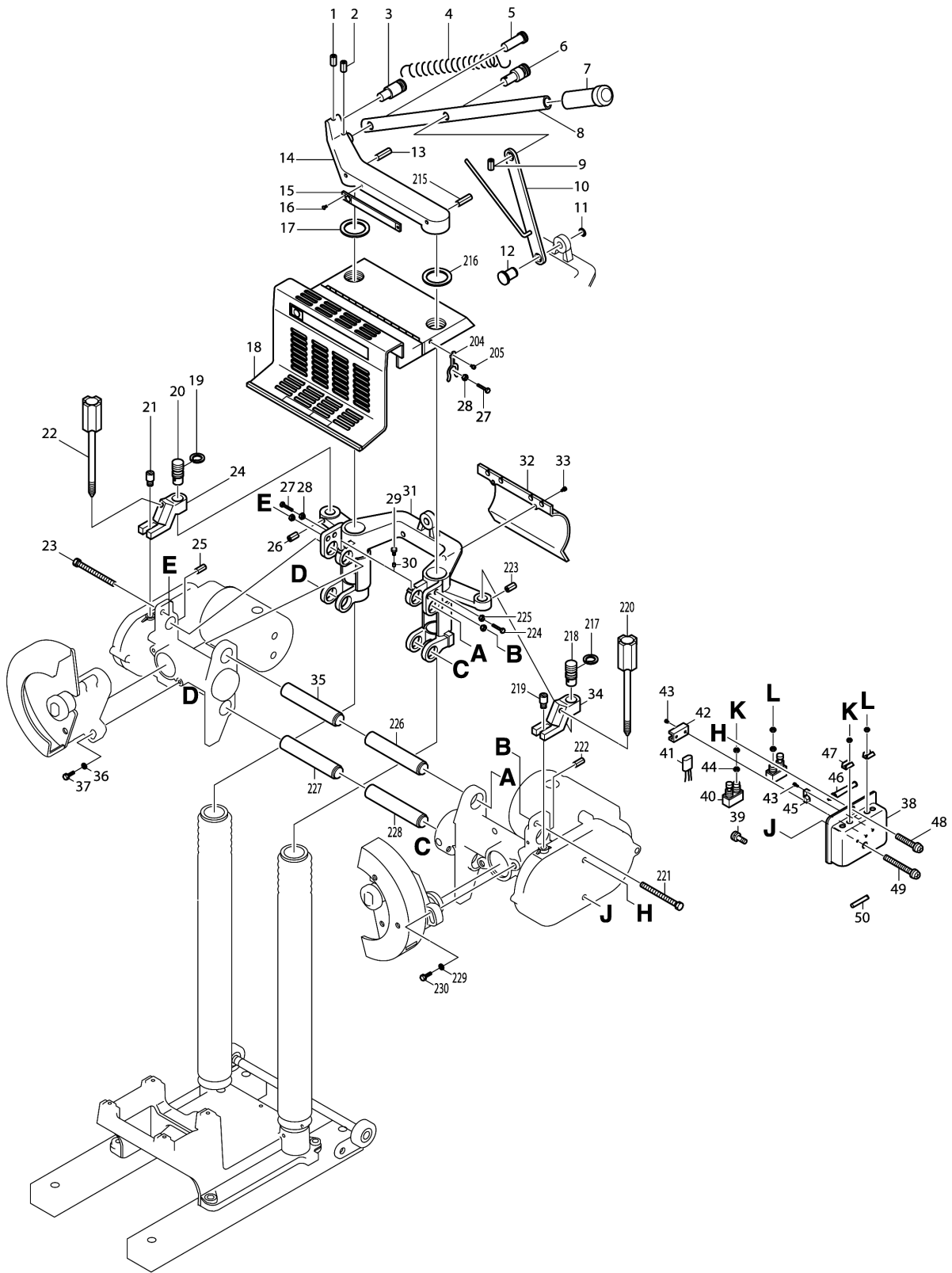
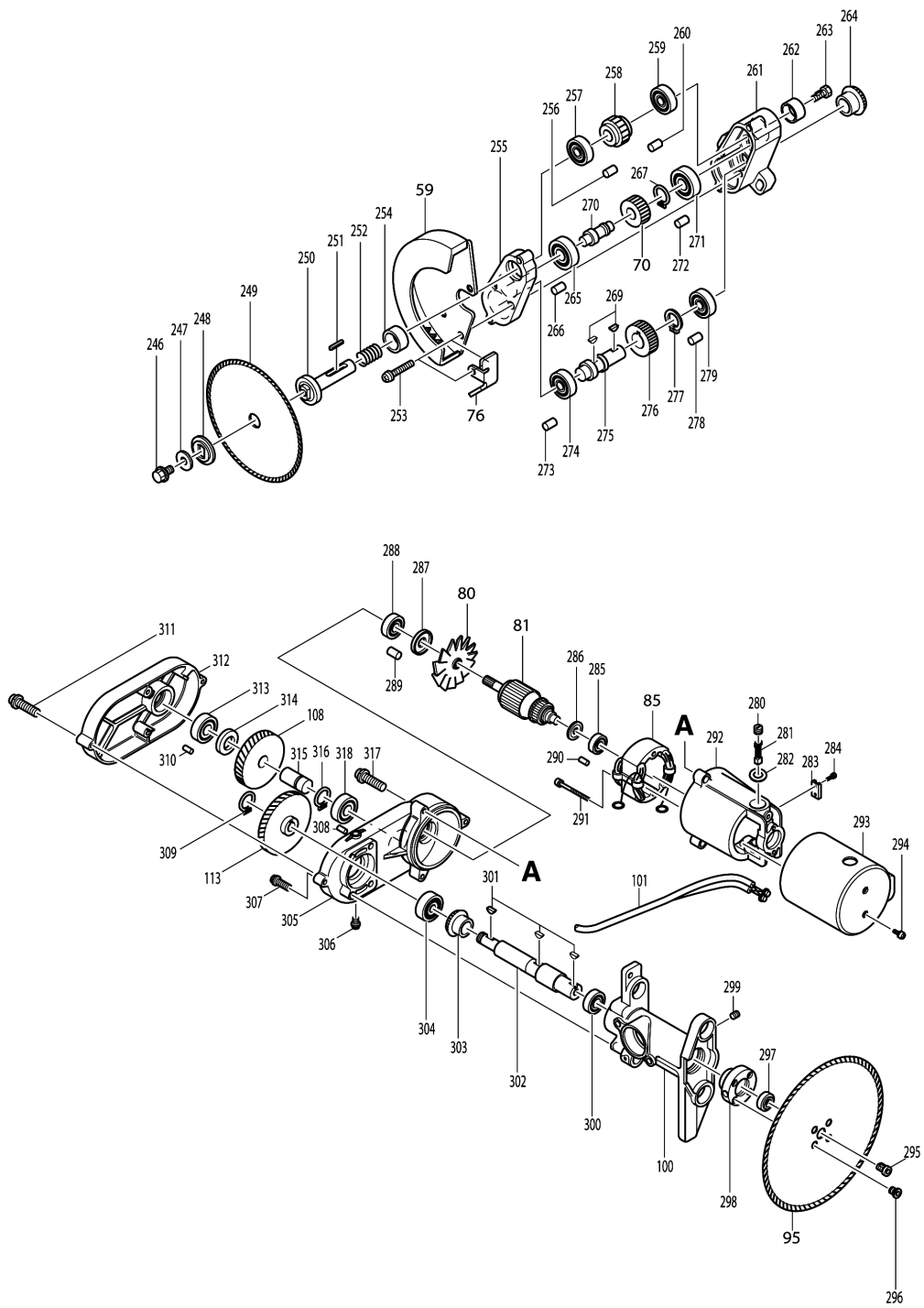


# Model No.5500S TENONING MACHINE

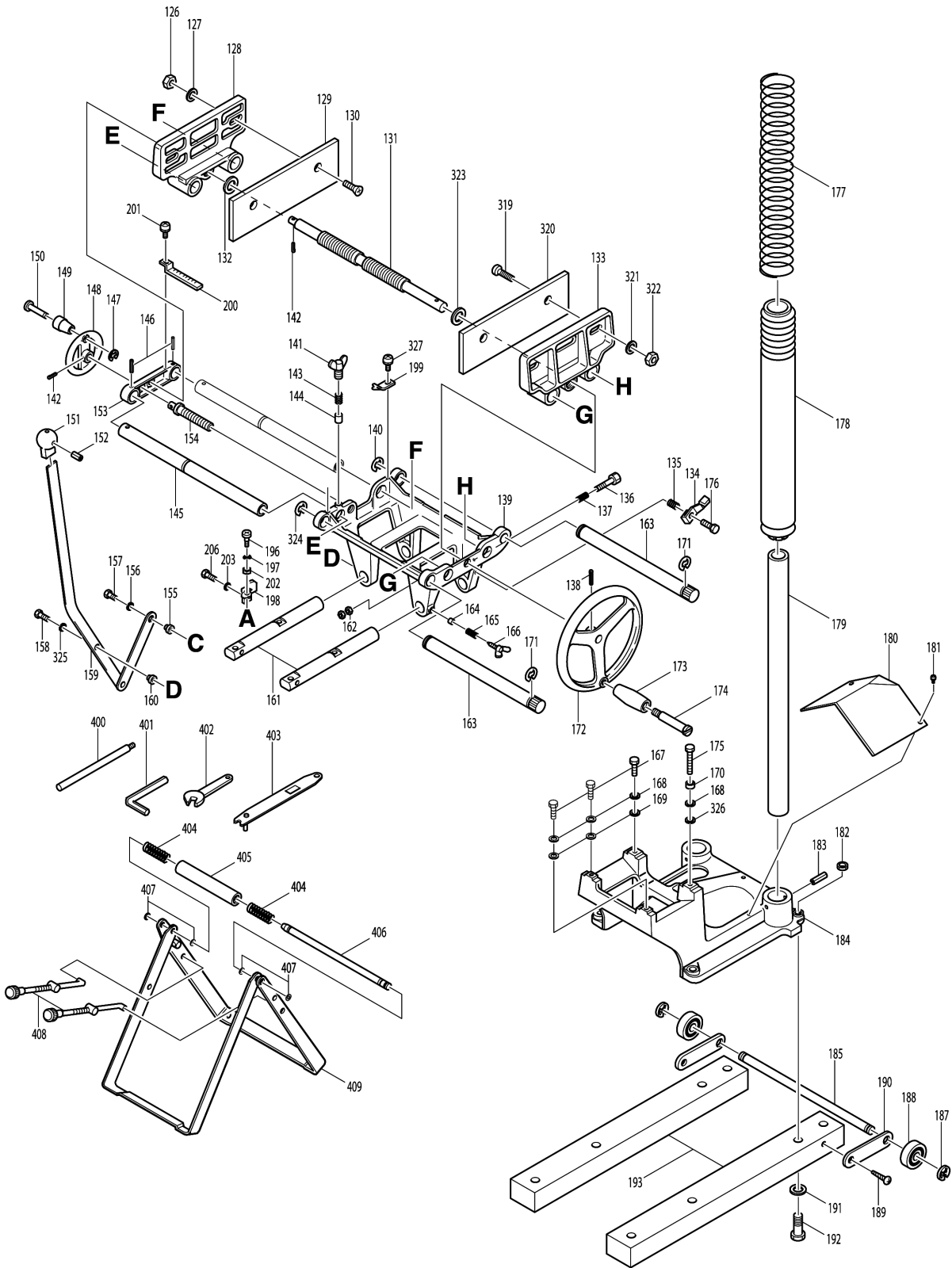




# Model No.5500S TENONING MACHINE



# Model No.5500S TENONING MACHINE



Model No.5500S TENONING MACHINE

Item	Parts No.	Description	I/C	Qty	New/Old	Opt. 1	Opt. 2	Note
001	951172-3	SPRING PIN 5-32		1				
002	951172-3	SPRING PIN 5-32		1				
003	256414-3	PIN 16-29		1				
004	231743-5	TENSION SPRING 22		1				
005	256621-8	PIN 16		1				
006	256415-1	PIN 16-29		1				
007	273008-9	GRIP COVER 27		1				
008A_	164956-2	LEVER PIPE		1				
009-1	951172-3	SPRING PIN 5-32		1				
010A_	163304-2	LINK		1				
011	961056-7	RETAINING RING S-16		1				
012	256620-0	PIN 16		1				
013-1	951237-1	SPRING PIN 6-60		1				
014	311470-1	POLE SUPPORTER		1				
015	854666-6	NAME PLATE 5500S		1				
016	953106-2	RIVET 0-5		2				
017	261502-3	RUBBER WASHER 40		1				
018A1	150209-5	SAFETY COVER COMPLETE		1				
C20	817975-4	CAUTION LABEL		1				
C31	819067-5	MAKITA MARK		1				
C40	423031-6	RUBBER CUSHION		2				
C50	816701-8	INDICATION LABEL		1				
C60	817926-7	CAUTION LABEL		1	*			
019	961102-6	RETAINING RING S-22		1				
020	321158-5	ARM HOLDER PIN		1				
021	251968-5	SET BOLT M8		1				
022A_	150416-0	KNOB 60 COMPLETE		1				
C10	816737-7	INDICATION LABEL		1				
023	265224-7	HEX. BOLT M8X105		1				
024	311469-6	LEVER ARM L		1				
025	951160-0	SPRING PIN 5-18		2				
026	951172-3	SPRING PIN 5-32		1				
027	921472-5	HEX. BOLT M8X50		1				
028-1	252026-0	HEX. NUT M8-17		1				
029	911307-8	PAN HEAD SCREW M6X10		2				
030	263003-7	NYLON PIN 5		2				
031A_	154386-5	SLIDE FRAME		1				
D10		INC. 20,26						
032	341523-2	REAR SAFETY COVER		1				
033	911211-1	PAN HEAD SCREW M5X12		2				
034	311468-8	LEVER ARM R		1				
035	331116-3	SLIDE POLE		1				
036	253065-3	FLAT WASHER 8		2				
037	921451-3	HEX. BOLT M8X30		2				
038A1	164959-6	SWITCH BOX		1				

Please order the parts with part number.

Print Date 3/1/2024

Model No.5500S TENONING MACHINE

Item	Parts No.	Description	I/C	Qty	New/Old	Opt. 1	Opt. 2	Note
039	652014-1	PAN HEAD SCREW M4X8		1				
040A1	651813-8	SWITCH V-152-3B5-MK		1				
041B_	645169-9	NOISE SUPPRESSOR		1	*			
041B1	645261-1	NOISE SUPPRESSOR	O	1				
042	687606-7	STRAIN RELIEF		1				
043-1	911126-2	PAN HEAD SCREW M4X16		2				
045-1	687006-1	STRAIN RELIEF		1				
046C_	682540-6	CORD GUARD 9.3-90		1	*			
046C1	682505-8	CORD GUARD 10-90	O	1				
047	342186-7	SWITCH PROTECTOR		2				
048A1	911943-0	PAN HEAD SCREW M6X90		1				
049A1	911943-0	PAN HEAD SCREW M6X90		1				
050O_	665231-4	POWER SUPPLY CORD 1.00-3-2.5		1				
051	251697-0	HEX. FLANGE HEAD BOLT M8X17		1				
052	253752-4	FLAT WASHER 8		1				
053	224161-4	OUTER FLANGE 40		1				
054	792232-0	CROSS-CUT SAW BLADE 180		1	*			
055A_	322581-7	FLANGE SHAFT		1				
056	254221-8	KEY 4		1				
057	231268-9	COMPRESSION SPRING 18		1				
058	253953-4	CUP WASHER 17		1				
059A_	165030-9	BLADE COVER (L)		1				
060-1	159289-8	OUTER GEAR HOUSING		1				
D10		INC. 61,235,239						
061	263005-3	RUBBER PIN 6		1				
062	211251-2	BALL BEARING 6003LLB		1	*			
062-1	210210-3	BALL BEARING 6003LLB	O	1				
063	221854-4	SPUR GEAR 32		1				
064-1	159290-3	INNER GEAR HOUSING		1				
D10		INC. 232,233,237						
065	253952-6	CUP WASHER 8		1				
066	265228-9	HEX. BOLT M8X20		1	*			
066-1	265412-6	HEX. BOLT M8X20	O	1				
067	221331-6	SPIRAL BEVEL GEAR 20		1				
068	211106-1	BALL BEARING 6201LLB		1				
069	961055-9	RETAINING RING S-15		1				
070	221855-2	SPUR GEAR 38		1				
071	321150-1	IDLE SPINDLE		1				
072	961060-6	RETAINING RING S-20		1				
073	221856-0	SPUR GEAR 42		1				
074	254001-2	WOODRUFF KEY 4		2				
075	321130-7	MAIN SPINDLE		1				
076	341554-1	CHIP PLATE L		1				
077-1	911356-5	PAN HEAD SCREW M6X35		3				

Please order the parts with part number.

Print Date 3/1/2024

Model No.5500S TENONING MACHINE

Item	Parts No.	Description	I/C	Qty	New/Old	Opt. 1	Opt. 2	Note
078	211106-1	BALL BEARING 6201LLB		1				
079	213102-5	DUST SEAL 12		1				
080	241098-0	FAN 86		1				
081C_	513348-6	ARMATURE ASS'Y 220V L		1				
D10		INC. 78-80,82,84						
082	213051-6	DUST SEAL 10		1				
083	263002-9	RUBBER PIN 4		1				
084	211066-7	BALL BEARING 6200LLB		1				
085C_	523308-0	FIELD ASS'Y 220V		1	*			
C10	654020-2	RING TERMINAL		2	*			
C20	654502-4	CONNECTOR P-2		2	*			
085C1	523308-0	FIELD ASS'Y 220V	O	1				
C10	654020-2	RING TERMINAL		2				
C20	654502-4	CONNECTOR P-2		2				
086	681002-1	INSULATION WASHER		2				
087	643650-4	BRUSH HOLDER CAP 6.5-13.5		2	*			
087-1	643650-4	BRUSH HOLDER CAP 6.5-13.5	O	2				
088-2	181044-0	CARBON BRUSH CB-153		1	*			
088-3	194985-1	CARBON BRUSH SET CB-153	O	1				
089	687606-7	STRAIN RELIEF		1				
090	911121-2	PAN HEAD SCREW M4X14		2				
091	341512-7	REAR COVER		1				
092	911211-1	PAN HEAD SCREW M5X12		2				
093	251972-4	HEX. SOCKET HEAD BOLT M8X14		4				
094	265227-1	HEX. FLANGE HEAD BOLT M6X12		1				
095A1	792236-260	T.C.T. SAW BLADE 235 (RIP)		1				
096	156591-0	MOTOR HOUSING		1				
C10	643653-8	BRUSH HOLDER 6.5-13.5		2				
C20	913206-0	SET SCREW M5X8		2				
D10		INC. 83						
097	224163-0	FLANGE 25		1				
098	224169-8	INNER FLANGE 51		1				
099	913217-5	SET SCREW M5X12		1				
100-1	315143-8	SUPPORTER L		1				
101A_	664187-8	POWER SUPPLY CORD #18-2-1.0		1	*			
101A1	662947-2	POWER SUPPLY CORD #18-2-1.0	O	1				
102-1	911290-9	PAN HEAD SCREW M5X65		2				
103	211301-3	BALL BEARING 6004LLB		1				
104	157038-7	CENTER GEAR HOUSING		1				
D10		INC. 240,241						
105	911356-5	PAN HEAD SCREW M6X35		3				
106	211206-7	BALL BEARING 6202LLB		1				
107	321154-3	IDLE SHAFT		1				
108	221664-9	HELICAL GEAR 80		1				

Please order the parts with part number.

Print Date 3/1/2024

Model No.5500S TENONING MACHINE

Item	Parts No.	Description	I/C	Qty	New/Old	Opt. 1	Opt. 2	Note
109	253771-0	FLAT WASHER 16		1				
110	911356-5	PAN HEAD SCREW M6X35		2				
111	157039-5	SIDE GEAR HOUSING		1				
D10		INC. 243						
112	911341-8	PAN HEAD SCREW M6X25		4				
113	221665-7	HELICAL GEAR 91		1				
114	915406-8	BINDING HEAD SCREW M8X10		1				
115	211211-4	BALL BEARING 6302LLB		1				
116	221331-6	SPIRAL BEVEL GEAR 20		1				
117	321153-5	SAW BLADE SHAFT		1				
118A_	165031-7	BLADE COVER (R)		1				
119	341555-9	CHIP PLATE R		1				
120A_	664186-0	POWER SUPPLY CORD #18-2-0.4		1	*			
120A1	662946-4	POWER SUPPLY CORD #18-2-0.4	O	1				
121C_	513363-0	ARMATURE ASS'Y 220V R		1				
D10		INC. 122,285-288						
122	241018-4	FAN 86		1				
123A1	792235-460	T.C.T. SAW BLADE 235 (RIP)		1				
124-1	315142-0	SUPPORTER R		1				
125C_	523313-7	FIELD ASS'Y 220V		1				
C10	654020-2	RING TERMINAL		2				
C20	654502-4	CONNECTOR P-2		2				
126	931401-0	HEX. NUT M8		2				
127	941201-0	FLAT WASHER 8		2				
128	311465-4	WISE SHOE L		1	*			
128-1	310042-9	WISE SHOE L	O	1				
129A_	441053-4	WOOD PLATE		1				
130	912451-4	COUNTERSUNK HEAD SCREW M8X30		2				
131	321157-7	VICE SCREW		1	*			
131-1	322682-1	VICE SCREW	S	1				
132	253312-2	THIN WASHER 12		1	*			
133	311464-6	WISE SHOE R		1	*			
133-1	310041-1	WISE SHOE R	O	1				
134	272210-1	LEVER 45		1				
135-1	231005-1	COMPRESSION SPRING 7		1				
136	265240-9	HEX. BOLT M8X70		1	*			
136-1	921492-9	HEX. BOLT M8X70	O	1				
137	231297-2	COMPRESSION SPRING 9		1				
138	951216-9	SPRING PIN 6-28		1				
139A_	311838-1	VICE FRAME		1				
140	961065-6	STOP RING E-15		1				
141	924316-8	WING BOLT M6X15		1				
142-1	951163-4	SPRING PIN 5-20		1				
143	231005-1	COMPRESSION SPRING 7		1				

Please order the parts with part number.

Print Date 3/1/2024



Model No.5500S TENONING MACHINE

Item	Parts No.	Description	I/C	Qty	New/Old	Opt. 1	Opt. 2	Note
144	263003-7	NYLON PIN 5		1				
145	331118-9	SLIDE PIPE 390		2				
146	951154-5	SPRING PIN 5-14		2				
147	961012-7	STOP RING E-6		1				
148	271028-7	HANDLE 95		1	*			
148-1	271060-1	HANDLE 95	O	1	*			
148-2	271061-9	HANDLE 95	O	1				
149-1	271408-7	KNOB 20		1				
150-1	256634-9	PIN 8		1				
151	271610-2	KNOB 40		1				
152	951172-3	SPRING PIN 5-32		1				
153	311466-2	SUPPORTER		1				
154	321156-9	SCREW M14		1				
155	331119-7	BUSH		1				
156	941202-8	FLAT WASHER 8		1				
157-1	265312-0	HEX. BOLT M8X20		1				
158	921457-1	HEX. BOLT M8X35		1				
159	163131-7	FEED LEVER		1				
160	331163-4	BUSH		1				
161	321398-5	SLIDE POLE 250		2				
162	931401-0	HEX. NUT M8		2				
163	321155-1	ROLLER		2				
164	263006-1	NYLON PIN 6		1				
165	231071-8	COMPRESSION SPRING 9		1				
166	924436-8	WING BOLT M8X25		1				
167-1	922456-6	HEX. SOCKET HEAD BOLT M8X35		3				
169	941201-0	FLAT WASHER 8		3				
170	257577-8	SLEEVE 8		1				
171	961065-6	STOP RING E-15		2				
172	271027-9	HANDLE 230		1	*			
172-1	271057-0	HANDLE 230	O	1				
173	273420-3	GRIP 30		1				
174	251904-1	- BOLT M10		1				
175-1	922476-0	HEX. SOCKET HEAD BOLT M8X55		1				
176-1	251610-8	HEX. BOLT M6X40		1				
177A_	231486-9	COMPRESSION SPRING 41		2				
178	411661-5	BELLOWS		2				
179	331115-5	MAIN POLE		2				
180	341536-3	STEEL PLATE		1				
181	911211-1	PAN HEAD SCREW M5X12		2				
183	951237-1	SPRING PIN 6-60		2				
184A_	311839-9	BASE		1				
185	321171-3	ROLLER SHAFT		1				
187	961015-1	STOP RING E-9		2				

Please order the parts with part number.

Print Date 3/1/2024

Model No.5500S TENONING MACHINE

Item	Parts No.	Description	I/C	Qty	New/Old	Opt. 1	Opt. 2	Note
188	311475-1	ROLLER 60		2				
189-1	914073-6	WOOD SCREW 5.1-50		2				
190	341548-6	LINK 100		2				
192	921572-1	HEX. BOLT M10X50		4				
193	441030-6	STABLE BASE		2				
194	221679-6	HELICAL GEAR 80		1				
195	221680-1	HELICAL GEAR 91		1				
196	251219-6	+ PAN HEAD SCREW M5		1				
197	253903-9	WAVE WASHER 6		1				
198	343711-7	WISE STOPPER		1				
199	343749-2	INDICATION PLATE		1				
200	816224-6	SCALE PLATE		1				
201	911213-7	PAN HEAD SCREW M5X12		1				
202	941151-9	FLAT WASHER 6		1				
203	931403-6	HEX. NUT M8		1				
204	322364-5	HOOK		2				
205	911213-7	PAN HEAD SCREW M5X12		2				
206	265370-6	HEX.BOLT M8X16		1				
208	251382-5	+ PAN HEAD SCREW M5		1				
209	942151-2	SPRING WASHER 6		1				
210	253878-2	FLAT WASHER 10		2				
211	931502-4	HEX. NUT M10		2				
212	259030-0	FASTEN NUT M10		4				
215	951237-1	SPRING PIN 6-60		1				
216	261502-3	RUBBER WASHER 40		1				
217	961102-6	RETAINING RING S-22		1				
218	321158-5	ARM HOLDER PIN		1				
219	251968-5	SET BOLT M8		1				
220A_	150416-0	KNOB 60 COMPLETE		1				
C10	816737-7	INDICATION LABEL		1				
221	265224-7	HEX. BOLT M8X105		1				
222	951160-0	SPRING PIN 5-18		2				
223	951172-3	SPRING PIN 5-32		1				
224	921472-5	HEX. BOLT M8X50		1				
225	252026-0	HEX. NUT M8-17		1				
226	331116-3	SLIDE POLE		1				
227	331116-3	SLIDE POLE		1				
228	331116-3	SLIDE POLE		1				
229	253065-3	FLAT WASHER 8		2				
230	921451-3	HEX. BOLT M8X30		2				
231	211251-2	BALL BEARING 6003LLB		1	*			
231-1	210210-3	BALL BEARING 6003LLB	O	1				
232	263005-3	RUBBER PIN 6		1				
233	263005-3	RUBBER PIN 6		1				
234	211106-1	BALL BEARING 6201LLB		1				

Please order the parts with part number.

Print Date 3/1/2024

Model No.5500S TENONING MACHINE

Item	Parts No.	Description	I/C	Qty	New/Old	Opt. 1	Opt. 2	Note
235	263005-3	RUBBER PIN 6		1				
236	211251-2	BALL BEARING 6003LLB		1	*			
236-1	210210-3	BALL BEARING 6003LLB	O	1				
237	263005-3	RUBBER PIN 6		1				
238	211251-2	BALL BEARING 6003LLB		1	*			
238-1	210210-3	BALL BEARING 6003LLB	O	1				
239	263005-3	RUBBER PIN 6		1				
240	263005-3	RUBBER PIN 6		1				
241	263005-3	RUBBER PIN 6		1				
242	961055-9	RETAINING RING S-15		1				
243	263005-3	RUBBER PIN 6		1				
244	961055-9	RETAINING RING S-15		1				
245	254001-2	WOODRUFF KEY 4		3				
246	251697-0	HEX. FLANGE HEAD BOLT M8X17		1				
247	253752-4	FLAT WASHER 8		1				
248	224161-4	OUTER FLANGE 40		1				
249	792232-0	CROSS-CUT SAW BLADE 180		1	*			
250A_	322581-7	FLANGE SHAFT		1				
251	254221-8	KEY 4		1				
252	231268-9	COMPRESSION SPRING 18		1				
253	911356-5	PAN HEAD SCREW M6X35		3				
254	253953-4	CUP WASHER 17		1				
255	159289-8	OUTER GEAR HOUSING		1				
D10		INC. 256,272,273						
256	263005-3	RUBBER PIN 6		1				
257	211251-2	BALL BEARING 6003LLB		1	*			
257-1	210210-3	BALL BEARING 6003LLB	O	1				
258	221854-4	SPUR GEAR 32		1				
259	211251-2	BALL BEARING 6003LLB		1	*			
259-1	210210-3	BALL BEARING 6003LLB	O	1				
260	263005-3	RUBBER PIN 6		1				
261	159290-3	INNER GEAR HOUSING		1				
D10		INC. 260,265,278						
262	253952-6	CUP WASHER 8		1				
263	265228-9	HEX. BOLT M8X20		1	*			
263-1	265412-6	HEX. BOLT M8X20	O	1				
264	221331-6	SPIRAL BEVEL GEAR 20		1				
265	211106-1	BALL BEARING 6201LLB		1				
266	263005-3	RUBBER PIN 6		1				
267	961055-9	RETAINING RING S-15		1				
269	254001-2	WOODRUFF KEY 4		2				
270	321150-1	IDLE SPINDLE		1				
271	211106-1	BALL BEARING 6201LLB		1				
272	263005-3	RUBBER PIN 6		1				
273	263005-3	RUBBER PIN 6		1				

Please order the parts with part number.

Print Date 3/1/2024

Model No.5500S TENONING MACHINE

Item	Parts No.	Description	I/C	Qty	New/Old	Opt. 1	Opt. 2	Note
274	211251-2	BALL BEARING 6003LLB		1	*			
274-1	210210-3	BALL BEARING 6003LLB	O	1				
275	321130-7	MAIN SPINDLE		1				
276	221856-0	SPUR GEAR 42		1				
277	961060-6	RETAINING RING S-20		1				
278	263005-3	RUBBER PIN 6		1				
279	211251-2	BALL BEARING 6003LLB		1	*			
279-1	210210-3	BALL BEARING 6003LLB	O	1				
280	643650-4	BRUSH HOLDER CAP 6.5-13.5		2	*			
280-1	643650-4	BRUSH HOLDER CAP 6.5-13.5	O	2				
281	181044-0	CARBON BRUSH CB-153		1	*			
281-1	194985-1	CARBON BRUSH SET CB-153	O	1				
282	681002-1	INSULATION WASHER		2				
283	687606-7	STRAIN RELIEF		1				
284	911121-2	PAN HEAD SCREW M4X14		2				
285	211066-7	BALL BEARING 6200LLB		1				
286	213051-6	DUST SEAL 10		1				
287	213102-5	DUST SEAL 12		1				
288	211106-1	BALL BEARING 6201LLB		1				
289	263005-3	RUBBER PIN 6		1				
290	263002-9	RUBBER PIN 4		1				
291	911290-9	PAN HEAD SCREW M5X65		2				
292	156591-0	MOTOR HOUSING		1				
C10	643653-8	BRUSH HOLDER 6.5-13.5		2				
C20	913206-0	SET SCREW M5X8		2				
D10		INC. 230						
293	341512-7	REAR COVER		1				
294	911211-1	PAN HEAD SCREW M5X12		2				
295	265227-1	HEX. FLANGE HEAD BOLT M6X12		1				
296	251972-4	HEX. SOCKET HEAD BOLT M8X14		4				
297	224163-0	FLANGE 25		1				
298	224169-8	INNER FLANGE 51		1				
299	913217-5	SET SCREW M5X12		1				
300	211301-3	BALL BEARING 6004LLB		1				
301	254001-2	WOODRUFF KEY 4		3				
302	321153-5	SAW BLADE SHAFT		1				
303	221331-6	SPIRAL BEVEL GEAR 20		1				
304	211211-4	BALL BEARING 6302LLB		1				
305	157038-7	CENTER GEAR HOUSING		1				
D10		INC. 289,308						
306	915406-8	BINDING HEAD SCREW M8X10		1				
307	911341-8	PAN HEAD SCREW M6X25		4				
308	263005-3	RUBBER PIN 6		1				
309	961055-9	RETAINING RING S-15		1				

Please order the parts with part number.

Print Date 3/1/2024

Model No.5500S TENONING MACHINE

Item	Parts No.	Description	I/C	Qty	New/Old	Opt. 1	Opt. 2	Note
310	263005-3	RUBBER PIN 6		1				
311	911356-5	PAN HEAD SCREW M6X35		4				
312	159009-0	SIDE GEAR HOUSING (R)		1				
C10	423172-8	RUBBER SHEET		1				
D10		INC. 310						
313	211206-7	BALL BEARING 6202LLB		1				
314	253771-0	FLAT WASHER 16		1				
315	321154-3	IDLE SHAFT		1				
316	961055-9	RETAINING RING S-15		1				
317	911356-5	PAN HEAD SCREW M6X35		3				
318	211206-7	BALL BEARING 6202LLB		1				
319	912451-4	COUNTERSUNK HEAD SCREW M8X30		2				
320A_	441053-4	WOOD PLATE		1				
321	941201-0	FLAT WASHER 8		2				
322	931401-0	HEX. NUT M8		2				
323	253312-2	THIN WASHER 12		1	*			
324	961065-6	STOP RING E-15		1				
325	941202-8	FLAT WASHER 8		1				
326	941201-0	FLAT WASHER 8		1				
327	911213-7	PAN HEAD SCREW M5X12		1				
328	251382-5	+ PAN HEAD SCREW M5		1				
329	942151-2	SPRING WASHER 6		1				
330	211206-7	BALL BEARING 6202LLB		1				
331	931403-6	HEX. NUT M8		2				
400	321164-0	BAR		1				
401	783204-6	HEX. WRENCH 6		1				
402	781203-2	WRENCH 13		1	*			
402-1	781204-0	WRENCH 13-17	X	1				
403A1	782019-8	WRENCH 6-13	O	1				
404	231227-3	COMPRESSION SPRING 15		2				
405	163135-9	ROLLER		1				
C10	214154-9	PLANE BEARING 14		2				
406	321163-2	ROLLER SHAFT		1				
407	961016-9	STOP RING E-10		4				
408	321162-4	HOOK SCREW		2				
409	163134-1	MAIN LEG		1				
500	122221-5	AUXILIARY ROLLER ASS'Y		1				
D10		INC. 404-409						
900	343582-2	PLATE		1				
901	343588-0	INDICATION PLATE		1				
902	816699-9	SCALE PLATE		1				
903	911106-8	PAN HEAD SCREW M4X8		2				
904-1	922116-0	HEX. SOCKET HEAD BOLT M4X12		2	*			
904-2	922126-7	HEX. SOCKET HEAD BOLT M4X16	S	2				

Please order the parts with part number.

Print Date 3/1/2024

Model No.5500S TENONING MACHINE

Item	Parts No.	Description	I/C	Qty	New/Old	Opt. 1	Opt. 2	Note
905-1	911213-7	PAN HEAD SCREW M5X12		3				
907	441054-2	MITER PLATE		2				
908	253852-0	FLAT WASHER 8		2				
909	912451-4	COUNTERSUNK HEAD SCREW M8X30		2				
910	931401-0	HEX. NUT M8		2				
911	231470-4	COMPRESSION SPRING 6		1				
912	322363-7	JOINT		1				
913	182257-6	SWITCH HANDLE SET		1				
915	414652-5	PUSH BUTTON		1				
916	911108-4	PAN HEAD SCREW M4X8		4				
917	911153-9	PAN HEAD SCREW M4X28		1				
918	951151-1	SPRING PIN 5-12		1				
919	911111-5	PAN HEAD SCREW M4X10 WITH W		3				
923	441056-8	MITER PLATE 30D-60D		1				
925	251972-4	HEX. SOCKET HEAD BOLT M8X14		8				
927	682511-3	GROMMET		1	*			
927-1	682103-8	GROMMET	<	1				
928	682527-8	GROMMET		3				
929	687608-3	STRAIN RELIEF		3				
930	664187-8	POWER SUPPLY CORD #18-2-1.0		1	*			
930-1	662947-2	POWER SUPPLY CORD #18-2-1.0	O	1				
931	652663-4	RELAY		1	*			
931-1	652774-5	RELAY	S	1				
932	654031-7	CUP WASHER 4		1				
933	654032-5	FLAT WASHER 4		1				
934	646329-6	LINE COIL		1	*			
934-1	646346-6	LINE COIL	S	1				
935	645200-1	NOISE SUPPRESSOR		1				

Please order the parts with part number.

Print Date 3/1/2024