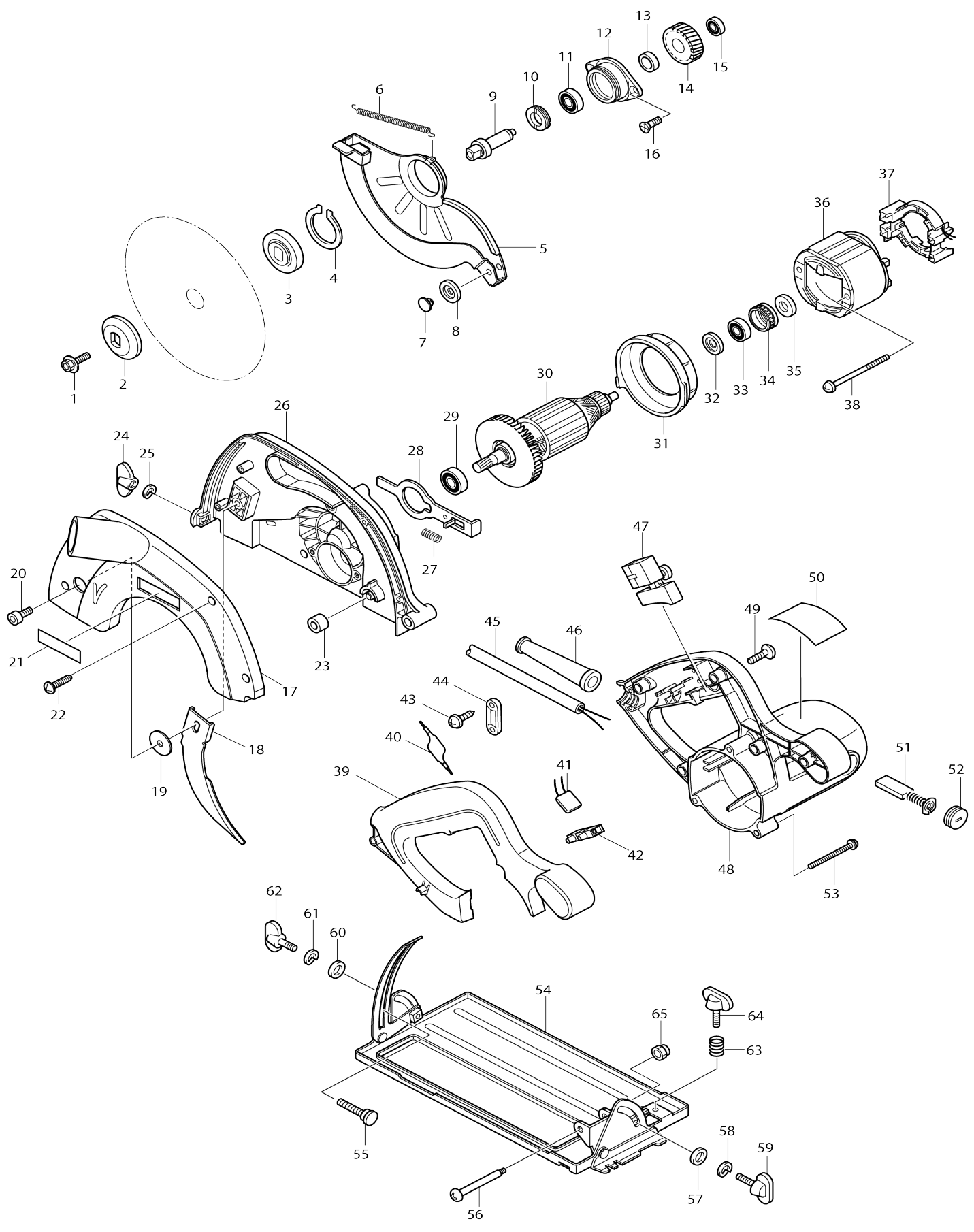


Model No.5604R CIRCULAR SAW 165MM



Model No.5604R CIRCULAR SAW 165MM

Item No.	Parts No.	Description	Interchangability	Q'ty	New/Old	Note1	Note2
001	266024-8	HEX. SOCKET HEAD BOLT M6X20		1			
002	224329-2	OUTER FLANGE 45		1			
003	224180-0	INNER FLANGE 45		1			
004	961155-5	RETAINING RING S-38		1			
005	165256-3	SAFETY COVER		1			
006	231821-1	TENSION SPRING 3		1	*		
006-1	231808-3	TENSION SPRING 4	X	1			
007	415437-2	ROLLER PIN 6		2			
008	415438-0	ROLLER 20		2			
009	322838-6	SPINDLE		1			
010	285802-7	BEARING RETAINER 19-33		1			
011	211129-9	BALL BEARING 6201DDW		1			
012	316766-5	BEARING BOX		1	*		
012-1	316849-1	BEARING BOX	O	1			
013	257173-2	RING 12		1			
014	226467-6	HELICAL GEAR 47		1			
015	211014-6	BALL BEARING 606		1	*		
015-1	211012-0	BALL BEARING 606ZZ	O	1			
016	265034-2	+ COUNTERSUNK HEAD SCREW M5X16		2			
017	416992-7	BLADE CASE COVER		1	*		
017-1	416992-7	BLADE CASE COVER	S	1			
018	344800-1	RIVING KNIFE		1			
019	253783-3	FLAT WASHER 6		1			
020	922312-0	HEX. SOCKET HEAD BOLT M6X12		1			
021	819063-3	MAKITA LABEL		1	*		
022	266034-5	TAPPING SCREW CT 4X16		4			
023	262511-5	RUBBER SLEEVE 6		1			
024	252639-7	WING NUT M6		1			
025	942151-2	SPRING WASHER 6		1	*		
025-1	253428-3	SPRING WASHER 6	O	1			
026	151635-1	BLADE CASE COMPLETE		1			
C10	263002-9	RUBBER PIN 4		1			
027	233092-6	COMPRESSION SPRING 5		1			
028	344317-4	SHAFT LOCK		1			
029	211097-6	BALL BEARING 6000LLB		1			
030-1	510044-7	ARMATURE ASS'Y 220V		1			
D10		INC. 29,32,33					
031	415873-2	BAFFLE PLATE		1			
032	681654-8	INSULATION WASHER		1			
033	211033-2	BALL BEARING 608LB		1			
034	421720-7	RUBBER RING 22		1			
035	261115-0	RUBBER WASHER 13		1			
036	634154-7	FIELD 240V		1			
037	632673-7	SUPPORT COMPLETE		1	*		
037-1	135486-0	SUPPORT ASS'Y	<	1			
C10	632673-7	SUPPORT COMPLETE		1			
C20	654020-2	RING TERMINAL		1			

C30	654501-6	CONNECTOR P-1.25		1	*		
C31	654485-8	PARALLEL SPLICE	O	1			
038	266095-5	TAPPING SCREW 5X55		2			
039	416991-9	HANDLE COVER		1			
040	646077-7	CHOKE COIL		1			
041	645200-1	NOISE SUPPRESSOR		1			
042	654532-5	TERMINAL BLOCK 1P		1			
043	265995-6	TAPPING SCREW 4X18		2			
044	687052-4	STRAIN RELIEF		1	*		
044-1	687124-5	STRAIN RELIEF	O	1			
045	665865-3	POWER SUPPLY CORD 1.0-2-2.5		1			
046	682540-6	CORD GUARD 9.3-90		1			
047	651291-2	SWITCH SGES115C-5		1			
048	151636-9	MOTOR HOUSING COMPLETE		1			
C10	643708-9	BRUSH HOLDER 5-11		2			
049	266045-0	TAPPING SCREW 4X20		5	*		
049-1	265995-6	TAPPING SCREW 4X18	O	5			
050	851929-1	NAME PLATE 5604R		1	*		
050-1	851929-1	NAME PLATE 5604R	O	1			
051	191963-2	CARBON BRUSH CB-303		1	*		
051-1	194996-6	CARBON BRUSH SET CB-303	O	1			
052	643750-0	BRUSH HOLDER CAP 7-11		2			
053	911268-2	PAN HEAD SCREW M5X45		3			
054	168329-1	BASE		1			
055	265950-8	CAP SQUARE NECK BOLT M6X26		1			
056	265056-2	+ PAN HEAD SCREW M5		1			
057	941151-9	FLAT WASHER 6		1			
058	942151-2	SPRING WASHER 6		1	*		
058-1	253428-3	SPRING WASHER 6	O	1			
059	265701-9	THUMB SCREW M6X14		1			
060	941151-9	FLAT WASHER 6		1			
061	942151-2	SPRING WASHER 6		1	*		
061-1	253428-3	SPRING WASHER 6	O	1			
062	265701-9	THUMB SCREW M6X14		1			
063	231316-4	COMPRESSION SPRING 7		1			
064	265701-9	THUMB SCREW M6X14		1			
065	252103-8	HEX. LOCK NUT M5-8		1			
A01	B-02917	T.C.T.SAW BLADE 165MM		1			
A02	164095-8	GUIDE RULE		1			
A03	783203-8	HEX. WRENCH 5		1			
A04	821552-6	CONNECTOR PLASTIC CASE (TYP E4)		1	*		
C10	453974-8	LATCH		4	*		
A04-1	821552-6	CONNECTOR PLASTIC CASE (TYP E4)	<	1			
C10	453974-8	LATCH		4			
A05	837657-2	INNER TRAY		1			
A06	802F50-5	5604RJ INDICATION LABEL		1			
A07	802F51-3	5604RJ PLASTIC CASE LABEL		2			

Please state Parts No. when your order.

Print Date 10/06/2023