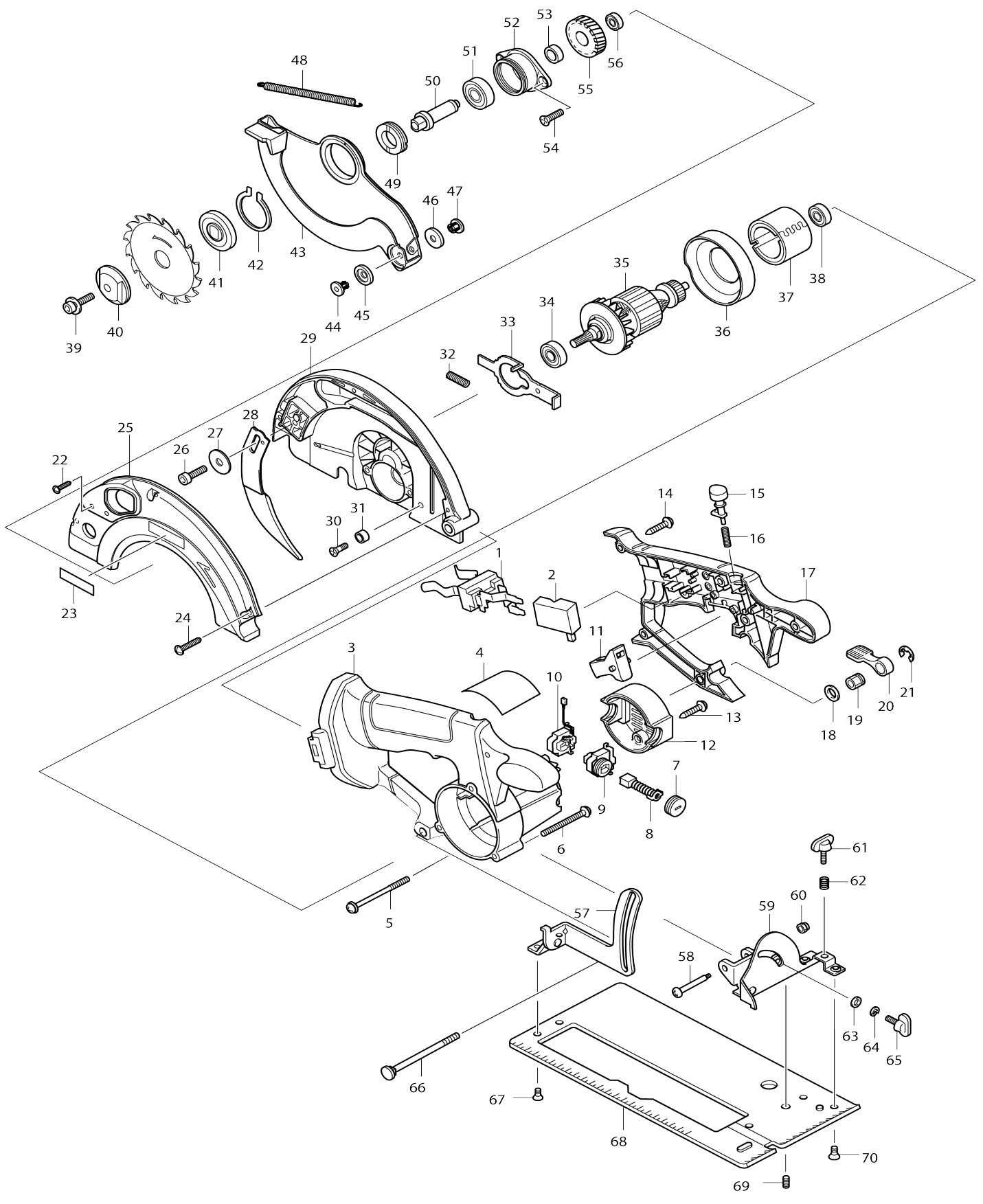


Model No.5621RD CORDLESS CIRCULAR SAW 165MM



Model No.5621RD CORDLESS CIRCULAR SAW 165MM

Item No.	Parts No.	Description	Interchangeability	Q'ty	New/Old	Note1	Note2
001	643942-1	BATTERY HOLDER		1			
002	651956-6	SWITCH TG72BD		1			
003	416690-3	MOTOR HOUSING		1			
004	851443-7	NAME PLATE 5621RD		1			
005	266209-6	TAPPING SCREW 4X60		2			
006	911263-2	PAN HEAD SCREW M5X40		3			
007	643941-3	BRUSH HOLDER CAP		2			
008	191970-5	CARBON BRUSH CB-429		1	*		
008-1	191976-3	CARBON BRUSH CB-432	<	1	*		
008-2	194435-6	CARBON BRUSH CB-441	<	1	*		
008-3	195022-4	CARBON BRUSH SET CB-441	O	1			
009	643943-9	BRUSH HOLDER		1			
010	643944-7	BRUSH HOLDER		1			
C10	654187-6	RECEPTACLE		1			
011	416642-4	SWITCH LEVER		1			
012	416639-3	REAR COVER		1			
013	265995-6	TAPPING SCREW 4X18		2			
014	265995-6	TAPPING SCREW 4X18		6			
015	416644-0	SWITCH BUTTON		1			
016	233194-8	COMPRESSION SPRING 4		1			
017	416691-1	HANDLE COVER		1	*		
017-1	417170-2	HANDLE COVER	X	1			
018	253804-1	FLAT WASHER 6		1			
019	252159-1	HEX. NUT M6		1			
020	272229-0	LEVER 40		1			
021	961014-3	STOP RING E-8		1			
022	266026-4	TAPPING SCREW BIND CT 4X12		2			
023	819080-3	MAKITA LABEL		1	*		
024	266042-6	TAPPING SCREW BIND CT 4X20		3			
025-1	317075-5	BLADE CASE COVER		1			
026	922312-0	HEX. SOCKET HEAD BOLT M6X12		1			
027	253783-3	FLAT WASHER 6		1			
028	165229-6	RIVING KNIFE		1			
029	317073-9	BLADE CASE		1	*		
029-1	151639-3	BLADE CASE COMPLETE	O	1	*		
C10	213434-0	O RING 26		1	*		
029-2	158107-7	BLADE CASE COMPLETE	<	1			
C10	213434-0	O RING 26		1			
030	251368-9	+ COUNTERSUNK SCREW M6		1	*		
030-1	265694-0	+ COUNTERSUNK HEAD SCREW M6	O	1			
031	262049-0	RUBBER RING 6		1			
032	233092-6	COMPRESSION SPRING 5		1			
033	344681-3	SHAFT LOCK		1			
034	211061-7	BALL BEARING 6000LLB		1	*		
034-1	211088-7	BALL BEARING 6000DDW	O	1			
035	519045-2	ARMATURE ASS'Y		1			
C10	241869-5	FAN 55		1			

D10		INC. 34,38				
036	416692-9	BAFFLE PLATE		1		
037	632828-4	YOKE UNIT		1		
038	211026-9	BALL BEARING 627LLB		1	*	
038-1	210025-8	BALL BEARING 627LLB	O	1	*	
038-2	210023-2	BALL BEARING 627DDW	O	1		
039	266024-8	HEX. SOCKET HEAD BOLT M6X20		1		
040	224282-2	OUTER FLANGE 40		1		
041	224199-9	INNER FLANGE 40		1	*	
041-1	224397-5	INNER FLANGE 40	<	1		
042	961155-5	RETAINING RING S-38		1		
043	317222-8	SAFETY COVER		1		
044	415437-2	ROLLER PIN 6		1		
045	415438-0	ROLLER 20		1		
046	415438-0	ROLLER 20		1		
047	415437-2	ROLLER PIN 6		1		
048	231784-1	TENSION SPRING 3		1		
049	285802-7	BEARING RETAINER 19-33		1		
050	323816-9	SPINDLE		1		
051	211129-9	BALL BEARING 6201DDW		1		
052	317035-7	BEARING BOX		1		
053	257010-0	RING 12		1	*	
054	265034-2	+ COUNTERSUNK HEAD SCREW M5X16		2		
055	226370-1	SPUR GEAR 53		1	*	
055-1	226391-3	SPUR GEAR 53	X	1		
056	211014-6	BALL BEARING 606		1		
057	163405-6	DEPTH COMPLETE		1		
058	265056-2	+ PAN HEAD SCREW M5		1		
059	163407-2	ANGULAR COMPLETE		1		
060	252103-8	HEX. LOCK NUT M5-8		1		
061	265701-9	THUMB SCREW M6X14		1		
062	231316-4	COMPRESSION SPRING 7		1		
063	941151-9	FLAT WASHER 6		1		
064	942151-2	SPRING WASHER 6		1		
065	265701-9	THUMB SCREW M6X14		1		
066	266195-1	CAP SQUARE BOLT M6X90		1		
067	912107-9	COUNTERSUNK HEAD SCREW M4 X8		2	*	
067-1	265085-5	+ COUNTERSUNK HEAD SCREW M4X8	X	2		
068	317076-3	BASE		1		
069	266213-5	H.S.SET SCREW(FLAT POINT)M5X 12		1		
070	912202-5	COUNTERSUNK HEAD SCREW M5 X8		3	*	
070-1	265085-5	+ COUNTERSUNK HEAD SCREW M4X8	X	3		
A01	164095-8	GUIDE RULE		1		
A02	414938-7	BATTERY COVER		1		
A03	416706-4	DUST NOZZLE		1		
A04	A-85117	T.C.T.SAW BLADE 165X24TX20		1		
A05	783203-8	HEX. WRENCH 5		1		

A06	824533-9	PLASTIC CARRYING CASE		1			
C10	417075-6	LATCH		2			
A07	192827-3	BATTERY 1822 SET		1			
A07A_	192829-9	BATTERY 1833		1	*		
A07A 1	193102-0	BATTERY 1834 SET	O	1	*		
A07A 2	193102-0	BATTERY 1834 SET	O	1			

Please state Parts No. when your order.

Print Date 18/09/2023