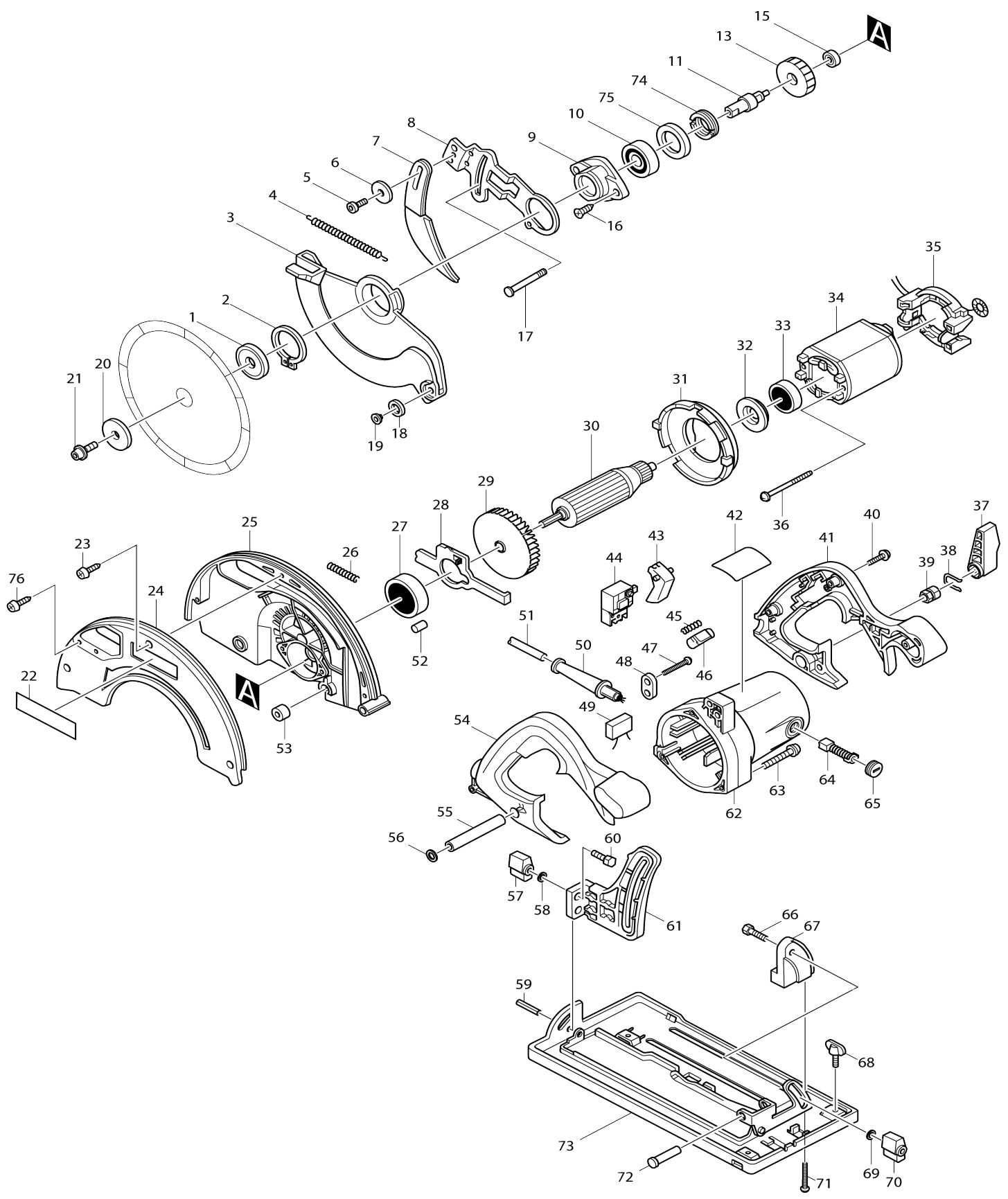


Model No.5703R CIRCULAR SAW 185MM



Model No.5703R CIRCULAR SAW 185MM

Item No.	Parts No.	Description	Interchangeability	Q'ty	New/Old	Note1	Note2
001	224307-2	INNER FLANGE 40		1	*		
001-1	224339-9	INNER FLANGE 40	X	1			
002	961156-3	RETAINING RING S-40		1			
003	316574-4	SAFETY COVER		1	*		
003-1	317439-3	SAFETY COVER	O	1	*		
003-2	317439-3	SAFETY COVER	O	1			
004	231797-2	TENSION SPRING 4		1	*		
004-1	231827-9	TENSION SPRING 4	O	1			
005	922312-0	HEX. SOCKET HEAD BOLT M6X12		1			
006	253783-3	FLAT WASHER 6		1			
007	165094-3	RIVING KNIFE		1	*		
007-1	165623-2	RIVING KNIFE	O	1			
008	344115-6	RIVING KNIFE HOLDER		1	*		
008-1	345733-3	RIVING KNIFE HOLDER	<	1	*		
008-2	345733-3	RIVING KNIFE HOLDER	O	1			
009	316683-9	BEARING BOX		1	*		
009-1	316884-9	BEARING BOX	X	1	*		
009-2	317469-4	BEARING BOX	S	1			
010	211129-9	BALL BEARING 6201DDW		1	*		
010-1	211227-9	BALL BEARING 6002DDW	X	1	*		
010-2	211236-8	BALL BEARING 6002DDW	O	1			
011	322675-8	SPINDLE		1	*		
011-1	322922-7	SPINDLE	X	1			
012	254011-9	WOODRUFF KEY 4		1	*		
013	226447-2	HELICAL GEAR 41		1	*		
013-1	226473-1	HELICAL GEAR 41	X	1			
014	267118-2	FLAT WASHER 6		1	*		
015	211019-6	BALL BEARING 626		1	*		
015-1	211034-0	BALL BEARING 608	X	1			
016	265034-2	+ COUNTERSUNK HEAD SCREW M5X16		2	*		
016-1	265D49-3	+COUNTERSUNK HEAD SCREW M5X16	O	2			
017	266019-1	CAP SQUARE NECK BOLT M8X98		1			
018	415438-0	ROLLER 20		2			
019	415437-2	ROLLER PIN 6		2			
020	224306-4	OUTER FLANGE 40		1	*		
020-1	224338-1	OUTER FLANGE 40	X	1			
021	266024-8	HEX. SOCKET HEAD BOLT M6X20		1	*		
021-1	266139-1	HEX. SOCKET HEAD BOLT M6X16	X	1			
022	819064-1	MAKITA MARK		1	*		
023	266042-6	TAPPING SCREW BIND CT 4X20		3			
024	316576-0	BLADE CASE COVER		1	*		
024-1	316576-0	BLADE CASE COVER	O	1	*		
024-2	316576-0	BLADE CASE COVER	O	1			
025	152453-0	BLADE CASE COMPLETE		1	*		
D10		INC. 52					
025-1	152545-5	BLADE CASE COMPLETE	X	1	*		

D10		INC. 52				
025-2	152545-5	BLADE CASE COMPLETE	O	1		
D10		INC. 52				
026	233092-6	COMPRESSION SPRING 5		1		
027	211129-9	BALL BEARING 6201DDW		1		
028	344114-8	SHAFT LOCK		1		
029	241876-8	FAN 76		1		
030C_	516203-1	ARMATURE ASS'Y 220V		1		
D10		INC. 27,29,32,33				
031	415460-7	BAFFLE PLATE		1		
032	681625-5	INSULATION WASHER		1		
033	211031-6	BALL BEARING 608LLB		1	*	
033-1	210005-4	BALL BEARING 608DDW	X	1		
034C_	634213-7	FIELD 220V		1		
035	632503-2	SUPPORT COMPLETE		1	*	
035-1	135793-1	SUPPORT ASS'Y	X	1		
C10	654020-2	RING TERMINAL		2		
C20	654501-6	CONNECTOR P-1.25		2		
036A_	266109-0	TAPPING SCREW FLANGE PF 5X6 5		2	*	
036A1	266029-8	TAPPING SCREW 5X65	O	2		
037	272230-5	LEVER 54		1		
038	231955-0	RING SPRING 12		1		
039	252141-0	HEX. NUT M8		1		
040A_	266111-3	TAPPING SCREW FLANGE PF 5X2 5		5	*	
040A1	266041-8	TAPPING SCREW 5X25	O	5		
041	182675-8	HANDLE SET		1		
D10		INC. 54				
042A_	858232-1	NAME PLATE 5703R		1		
043	415439-8	SWITCH LEVER		1		
044	651922-3	SWITCH TG71B		1		
045	231230-4	COMPRESSION SPRING 4		1		
046	415440-3	LOCK-OFF BUTTON		1		
047A_	266121-0	TAPPING SCREW FLANGE PF 4X1 8		2	*	
047A1	265995-6	TAPPING SCREW 4X18	O	2		
048B_	687063-9	CORD CLAMP		1	*	
048B1	687052-4	STRAIN RELIEF	X	1		
049B_	645118-6	NOISE SUPPRESSOR		1	*	
049B1	645142-9	NOISE SUPPRESSOR	O	1		
050A_	682540-6	CORD GUARD 9.3-90		1		
051M_	665865-3	POWER SUPPLY CORD 1.0-2-2.5		1		
052	263005-3	RUBBER PIN 6		1		
053	262511-5	RUBBER SLEEVE 6		1		
054	182675-8	HANDLE SET		1		
D10		INC. 41				
055	331432-3	PIPE 9		1		
056	941201-0	FLAT WASHER 8		1		
057	252624-0	WING NUT M6		1		
058	941151-9	FLAT WASHER 6		1		
059	951204-6	SPRING PIN 6-16		1		

060	921332-1	HEX. BOLT M6X20		1		
061	316578-6	DEPTH GUIDE		1		
062	159714-9	MOTOR HOUSING COMPLETE		1		
C10	643754-2	BRUSH HOLDER		2	*	
C11	643708-9	BRUSH HOLDER 5-11	O	2		
063	911278-9	PAN HEAD SCREW M5X55		3		
064	191963-2	CARBON BRUSH CB-303		1	*	
064-1	194996-6	CARBON BRUSH SET CB-303	O	1		
065	643750-0	BRUSH HOLDER CAP 7-11		2		
066	921332-1	HEX. BOLT M6X20		1		
067	415443-7	ANGULAR PLATE GUIDE		1		
068	251887-5	SCREW M6X10		1	*	
068-1	265725-5	WING BOLT M6X10	O	1		
069	941151-9	FLAT WASHER 6		1		
070	252624-0	WING NUT M6		1		
071A_	266121-0	TAPPING SCREW FLANGE PF 4X18		2	*	
071A1	265995-6	TAPPING SCREW 4X18	O	2		
072	256690-9	PIN 10		1		
073	168267-7	BASE		1	*	
073-1	168267-7	BASE	O	1		
074	285831-0	BEARING RETAINER 19-34		1		
075	267126-3	FLAT WASHER 22		1		
076	266026-4	TAPPING SCREW BIND CT 4X12		2		
077	213560-5	O RING 44		1		
A01	165108-8	GUIDE RULE		1		
A02	783203-8	HEX. WRENCH 5		1		
A03	B-02939	T.C.T. SAW BLADE 190MM		1		
E03	192420-3	JOINT		1		
C10	266026-4	TAPPING SCREW BIND CT 4X12		2		
F01	199140-0	GUIDE RAIL 1000 SET		1		
F03	192505-5	GUIDE RAIL ADAPTER		1		
F04	192516-0	GUIDE RAIL		0		
E04	824606-8	PLASTIC CARRYING CASE		1	*	
C10	183336-3	LATCH SET		1	*	
E04-1	824964-2	PLASTIC CARRYING CASE	S	1		
C10	162271-8	LATCH		2		
C20	450990-1	HANDLE		1		
E06	837704-9	INNER TRAY	S	1		

Please state Parts No. when your order.

Print Date 10/06/2023