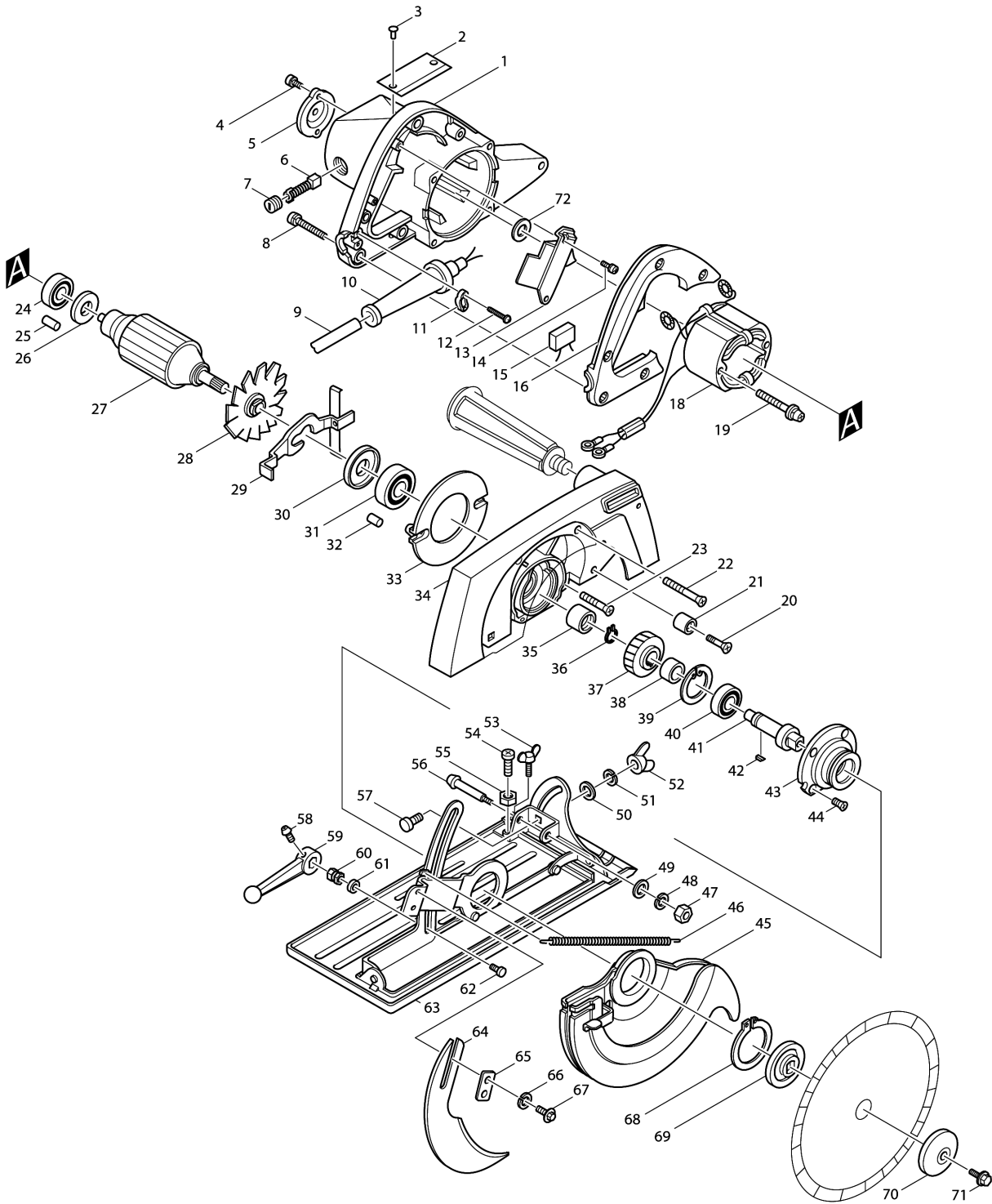


Model No.5900BR CIRCULAR SAW 235MM



Model No.5900BR CIRCULAR SAW 235MM

Item	Parts No.	Description	I/C	Qty	New/Old	Opt. 1	Opt. 2	Note
001A1	159721-2	MOTOR HOUSING COMPLETE		1				
C10	643660-1	BRUSH HOLDER 6.5-13.5		2	*			
C11	643653-8	BRUSH HOLDER 6.5-13.5	O	2				
D10		INC. 25			*			
002	811766-5	NAME PLATE 5900BR		1				
003A_	953106-2	RIVET 0-5		2	*			
004A_	911211-1	PAN HEAD SCREW M5X12		2				
005A_	285007-9	BEARING COVER 48		1				
006-1	181044-0	CARBON BRUSH CB-153		1	*			
006-2	194985-1	CARBON BRUSH SET CB-153	O	1				
007	643650-4	BRUSH HOLDER CAP 6.5-13.5		2	*			
007-1	643650-4	BRUSH HOLDER CAP 6.5-13.5	O	2				
008	911153-9	PAN HEAD SCREW M4X28		5				
009K_	665516-8	POWER SUPPLY CORD 1.00-2-2.5		1				
010A_	682502-4	CORD GUARD 8-85		1				
011A_	687001-1	STRAIN RELIEF		1				
012A_	911133-5	PAN HEAD SCREW M4X18		2				
013D_	651023-7	SWITCH HPAH2-2S		1				
014	911126-2	PAN HEAD SCREW M4X16		2				
015E_	645200-1	NOISE SUPPRESSOR		1				
016-1	415077-6	HANDLE COVER		1				
018D_	524125-1	FIELD ASS'Y 220V		1				
C10	654020-2	RING TERMINAL		2				
C20	654502-4	CONNECTOR P-2		2				
019A_	911290-9	PAN HEAD SCREW M5X65		2				
020	251224-3	+ COUNTERSUNK HEAD SCREW M6X28		1				
021	262501-8	RUBBER SLEEVE 6		1				
022	912281-3	COUNTERSUNK HEAD SCREW M5X60		2				
023	912261-9	COUNTERSUNK HEAD SCREW M5X40		2				
024-1	211066-7	BALL BEARING 6200LLB		1				
025	263002-9	RUBBER PIN 4		1	*			
026-1	681623-9	INSULATION WASHER		1				
027B1	514134-8	ARMATURE ASS'Y 220V		1	*			
D10		INC. 24,26,28,30,31			*			
027B2	516513-6	ARMATURE ASS'Y 220V	O	1				
D10		INC. 24,26,28,30,31						
028	241064-7	FAN 106		1				
029	163102-4	SHAFT LOCK		1				
030	213102-5	DUST SEAL 12		1				
031	211106-1	BALL BEARING 6201LLB		1	*			
031-1	211144-3	BALL BEARING 6201LLB	O	1	*			
031-2	211106-1	BALL BEARING 6201LLB	O	1				
032	263005-3	RUBBER PIN 6		1				
033	411395-0	BAFFLE PLATE		1				

Please order the parts with part number.

Print Date 6/10/2023

Model No.5900BR CIRCULAR SAW 235MM

Item	Parts No.	Description	I/C	Qty	New/Old	Opt. 1	Opt. 2	Note
034-2	152421-3	BLADE CASE COMPLETE		1				
D10		INC. 32						
035	212102-2	NEEDLE BEARING 1210		1				
036	961057-5	RETAINING RING S-17		1				
037	221013-0	HELICAL GEAR 44		1				
038	257024-9	RING 17		1				
039	962157-4	RETAINING RING R-40		1				
040	211256-2	BALL BEARING 6203LLB		1				
041	325248-6	SPINDLE		1				
042	254203-0	KEY 4		1				
043	312585-7	BEARING BOX		1				
044	912121-5	COUNTERSUNK HEAD SCREW M4X14		4				
045-2	165044-8	SAFETY COVER		1				
046	231718-4	TENSION SPRING 4		1				
047	931302-2	HEX. NUT M6		1	*			
047-1	252014-7	HEX. LOCK NUT M6-10	<	1				
048	942151-2	SPRING WASHER 6		1	*			
049	941151-9	FLAT WASHER 6		1	*			
050	941151-9	FLAT WASHER 6		1				
051	942151-2	SPRING WASHER 6		1				
052	934301-3	WING NUT M6		1				
053	924216-2	WING BOLT M5X15		1				
054	911227-6	PAN HEAD SCREW M5X18		1				
055	931202-6	HEX. NUT M5		1				
056	251221-9	+ PAN HEAD SCREW M6		1				
057	251919-8	CAP SQUARE NECK BOLT M6X20		1				
058	911207-2	PAN HEAD SCREW M5X10		1				
059	133014-5	LEVER 98 ASS'Y		1				
D10		INC. 58						
060	252003-2	HEX. NUT M8-14		1				
061-1	253731-2	FLAT WASHER 8		1				
062	251918-0	CAP SQUARE NECK BOLT M8X24		1				
063	133152-3	BASE ASS'Y		1				
D10		INC. 50,51,52,54,55,57						
064	345085-2	RIVING KNIFE		1				
065	341310-9	PRESSURE PLATE		1				
066	942151-2	SPRING WASHER 6		2				
067-1	265251-4	HEX. BOLT M6X16		2				
068	961203-0	RETAINING RING S-48		1				
069	224015-5	INNER FLANGE 55		1				
070	224016-3	OUTER FLANGE 55		1				
071	251644-1	HEX. FLANGE HEAD BOLT M8X20		1				
072	253090-4	FLAT WASHER 24		1				

Please order the parts with part number.

Print Date 6/10/2023

Model No.5900BR CIRCULAR SAW 235MM

Item	Parts No.	Description	I/C	Qty	New/Old	Opt. 1	Opt. 2	Note
400	792070-0	CHISEL T. COMBI. SAW BLADE 235		1	*			
401	164021-7	GUIDE RULE		1				
402A2	152492-0	GRIP 36 COMPLETE		1				
901	257035-4	RING 25		1				
903	192032-2	JOINT SET		1	*			

Please order the parts with part number.

Print Date 6/10/2023