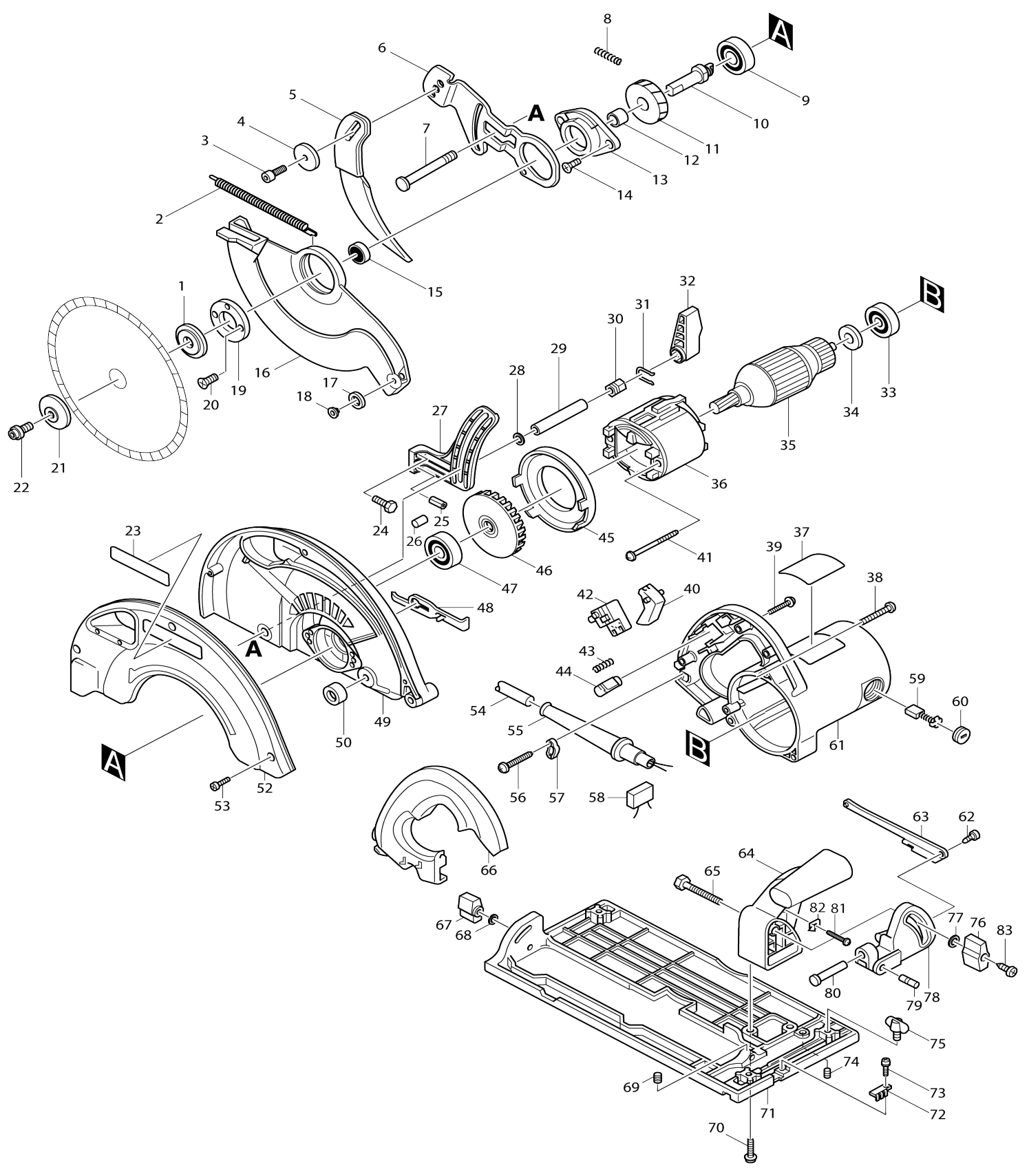


Model No.5903R CIRCULAR SAW 235MM



Model No.5903R CIRCULAR SAW 235MM

Item No.	Parts No.	Description	Interchangeability	Q'ty	New/Old	Note1	Note2
001	224302-2	INNER FLANGE 42		1			
002	231798-0	TENSION SPRING 5		1	*		
002-1	231840-7	TENSION SPRING 6	<	1			
003	922422-3	HEX. SOCKET HEAD BOLT M8X16		1			
004	267123-9	FLAT WASHER 8		1			
005	165092-7	RIVING KNIFE		1	*		
005-1	345735-9	RIVING KNIFE	<	1			
006	344104-1	RIVING KNIFE HOLDER		1	*		
006-1	345772-3	RIVING KNIFE HOLDER	S	1	*		
006-2	345772-3	RIVING KNIFE HOLDER	O	1			
007	266019-1	CAP SQUARE NECK BOLT M8X98		1			
008	233084-5	COMPRESSION SPRING 6		1			
009	211131-2	BALL BEARING 6001DDW		1			
010	322662-7	SPINDLE		1			
011	226422-8	HELICAL GEAR 39		1			
012	257184-7	RING 16		1			
013	316564-7	BEARING BOX		1	*		
013-1	317626-4	BEARING BOX	S	1			
014	265031-8	+ COUNTERSUNK HEAD SCREW M6X20		2	*		
014-1	265D48-5	+COUNTERSUNK HEAD SCREW M6X20	O	2			
015	211228-7	BALL BEARING 6202DDW		1			
016	316563-9	SAFETY COVER		1	*		
016-1	318061-9	SAFETY COVER	<	1	*		
016-2	318143-7	SAFETY COVER	<	1	*		
016-3	318143-7	SAFETY COVER	O	1			
017	415438-0	ROLLER 20		2			
018	415437-2	ROLLER PIN 6		2			
019	285677-4	BEARING RETAINER 30-55		1			
020	912222-9	COUNTERSUNK HEAD SCREW M5X16		2			
021	224301-4	OUTER FLANGE 42		1			
022	265408-7	HEX. SOCKET HEAD BOLT M8X20		1			
023	819034-0	TRADE MARK LABEL		1	*		
024	921342-8	HEX. BOLT M6X25		1			
025	951210-1	SPRING PIN 6-20		1			
026	263005-3	RUBBER PIN 6		2	*		
026-1	263005-3	RUBBER PIN 6	O	1			
027	316557-4	DEPTH GUIDE		1			
028	941201-0	FLAT WASHER 8		1			
029	331432-3	PIPE 9		1			
030	252134-7	HEX. NUT M8		1			
031	231955-0	RING SPRING 12		1			
032	272230-5	LEVER 54		1			
033	211056-0	BALL BEARING 629LLB		1	*		
033-1	210053-3	BALL BEARING 629LLB	O	1	*		
033-2	210042-8	BALL BEARING 629LLB	O	1			

034	681633-6	INSULATION WASHER		1		
035B_	516578-8	ARMATURE ASS'Y 220V		1		
D10		INC. 33,34,46,47				
036B_	636048-2	FIELD 220V		1	*	
036B1	636203-6	FIELD 220V	X	1		
037A_	858222-4	NAME PLATE 5903R		1		
038	266037-9	TAPPING SCREW BIND CT 5X45		3		
039A_	266119-7	TAPPING SCREW FLANGE PF 4X2 5		4	*	
039A1	265999-8	TAPPING SCREW 4X25	O	4		
040	415439-8	SWITCH LEVER		1		
041A_	266109-0	TAPPING SCREW FLANGE PF 5X6 5		2	*	
041A1	266029-8	TAPPING SCREW 5X65	O	2		
042	651923-1	SWITCH TG70B		1		
043	231230-4	COMPRESSION SPRING 4		1		
044	415440-3	LOCK-OFF BUTTON		1		
045	415436-4	BAFFLE PLATE		1		
046	241868-7	FAN 82		1		
047	211227-9	BALL BEARING 6002DDW		1	*	
047-1	211236-8	BALL BEARING 6002DDW	O	1		
048	344108-3	SHAFT LOCK		1		
049	152452-2	BLADE CASE COMPLETE		1	*	
D10		INC. 26				
049-1	152495-4	BLADE CASE COMPLETE	X	1	*	
D10		INC. 26				
049-2	152550-2	BLADE CASE COMPLETE	X	1	*	
D10		INC. 26				
049-3	153467-2	BLADE CASE COMPLETE	S	1	*	
D10		INC. 26				
049-4	153467-2	BLADE CASE COMPLETE	O	1		
D10		INC. 26				
050	262060-2	RUBBER RING 10		1	*	
050-1	262007-6	RUBBER RING 8	X	1		
051	265032-6	+ PAN HEAD SCREW M8		1	*	
052	316562-1	BLADE CASE COVER		1	*	
052-1	316562-1	BLADE CASE COVER	O	1		
053	266036-1	TAPPING SCREW BIND CT 5X20		3		
054M_	665865-3	POWER SUPPLY CORD 1.0-2-2.5		1		
055B_	682540-6	CORD GUARD 9.3-90		1		
056A_	266121-0	TAPPING SCREW FLANGE PF 4X1 8		2	*	
056A1	265995-6	TAPPING SCREW 4X18	O	2		
057C_	687063-9	CORD CLAMP		1	*	
057C1	687052-4	STRAIN RELIEF	X	1		
058A_	645200-1	NOISE SUPPRESSOR		1	*	
058A1	645141-1	NOISE SUPPRESSOR	O	1		
059	191953-5	CARBON BRUSH CB-203		1	*	
059-1	194991-6	CARBON BRUSH SET CB203	O	1		
060	643700-5	BRUSH HOLDER CAP 7-18		2		
061B_	159960-4	MOTOR HOUSING COMPLETE		1		
C10	643705-5	BRUSH HOLDER		2	*	

C11	643707-1	BRUSH HOLDER	O	2			
C20	632782-2	SUPPORT UNIT		1			
062	265028-7	+ PAN HEAD SCREW M4X11		1	*		
062-1	265D50-8	+PAN HEAD SCREW M4X11	O	1			
063	344107-5	LINK		1			
064	415432-2	ANGULAR PLATE GUIDE		1			
065	921477-5	HEX. BOLT M8X55		1			
066	415431-4	HANDLE COVER		1			
067	252624-0	WING NUT M6		1			
068	941151-9	FLAT WASHER 6		1			
069	265993-0	H.S.SET SCREW(CUP POINT)M4X5		1			
070A_	266112-1	TAPPING SCREW FLANGE PF 5X2 0		2	*		
070A1	266021-4	TAPPING SCREW 5X20	O	2			
071	316556-6	BASE		1	*		
071-1	316556-6	BASE	O	1	*		
071-2	316556-6	BASE	O	1			
072	415433-0	TOP GUIDE		1			
073	911108-4	PAN HEAD SCREW M4X8		1	*		
073-1	911109-2	PAN HEAD SCREW M4X8	<	1			
074	266039-5	H.S.SET SCREW(FLAT POINT) M6X 6		1	*		
074-1	265A21-7	H.S.SET SCREW(FLAT POINT) M6X 6	O	1	*		
074-2	265D51-6	H.S.SET SCREW(FLAT POINT) M6X 6	O	1			
075	265701-9	THUMB SCREW M6X14		1	*		
075-1	265726-3	SCREW M6X15	O	1			
076	252626-6	WING NUT		1			
077	941201-0	FLAT WASHER 8		1			
078	316558-2	ANGULAR PLATE		1	*		
078-1	316558-2	ANGULAR PLATE	O	1			
079	256231-1	PIN 6		1			
080	256692-5	PIN 8		1			
081A_	266121-0	TAPPING SCREW FLANGE PF 4X1 8		1	*		
081A1	265995-6	TAPPING SCREW 4X18	O	1			
082	816128-2	POINTER		1			
083	266026-4	TAPPING SCREW BIND CT 4X12		2			
084	213459-4	O RING 32		1			
085	213560-5	O RING 44		1			
A01	165084-6	GUIDE RULE		1			
A02	783204-6	HEX. WRENCH 6		1			
A03	B-02858	T.C.T. SAW BLADE 235		1	*		
A03-1	A-89866	TCT SAW BLADE 235X30X20T	<	1			
E01	415426-7	JOINT		1	*		
E01-1	456914-5	JOINT	<	1			
E11	631235-8	SOFT START CIRCUIT		1			
E12-1	654510-5	INSULATED CONNECTOR 5.5-SD		1			
F01	199140-0	GUIDE RAIL 1000 SET		1			
F03	192506-3	GUIDE RAIL ADAPTER		1			

Please state Parts No. when your order.

Print Date 10/06/2023