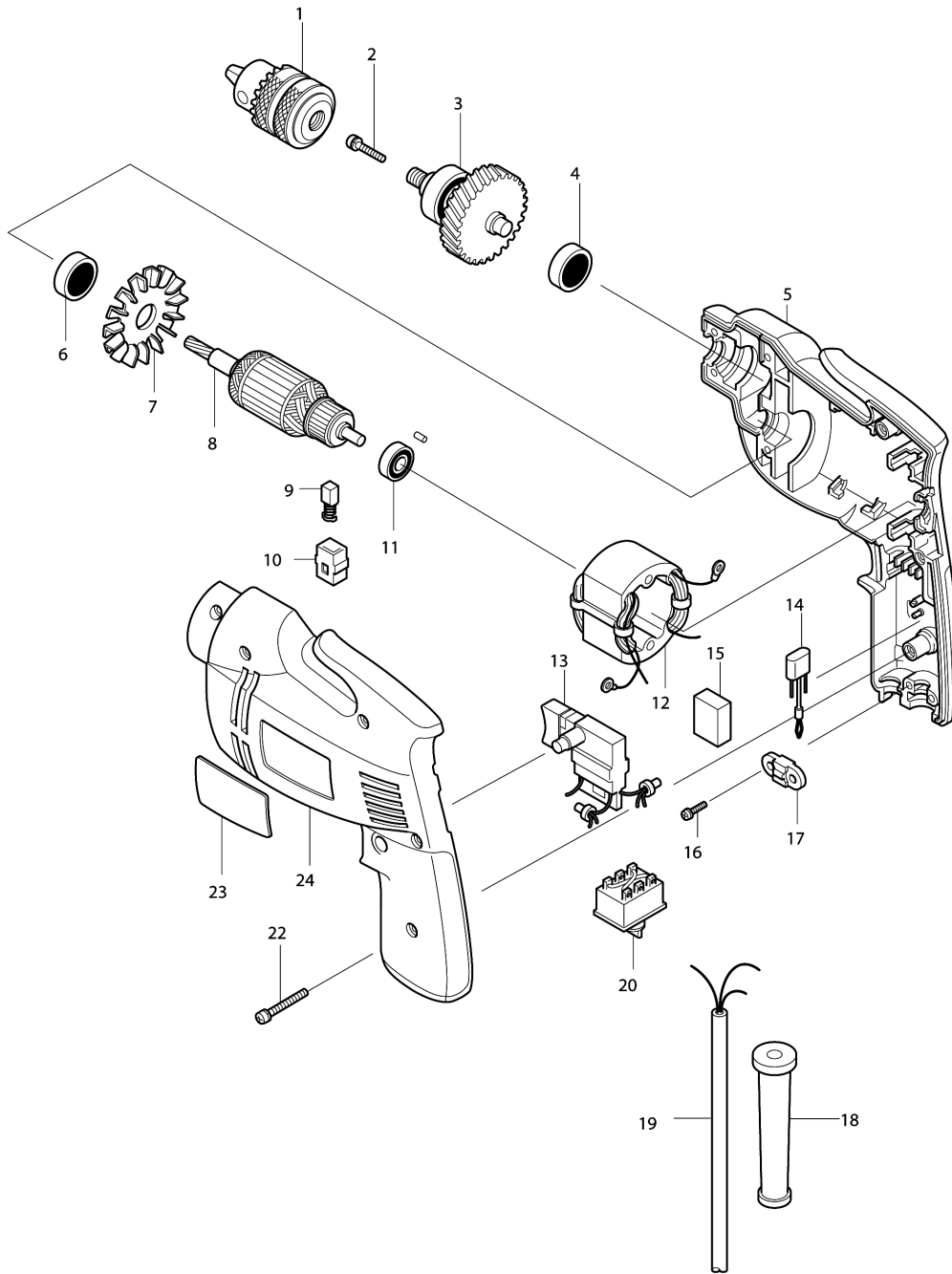


Model No.6010BVR DRILL 10MM



Model No.6010BVR DRILL 10MM

| Item  | Parts No. | Description                 | I/C | Qty | New/Old | Opt. 1 | Opt. 2 | Note |
|-------|-----------|-----------------------------|-----|-----|---------|--------|--------|------|
| 001A_ | 763102-0  | KEYLESS DRILL CHUCK 10      |     | 1   | *       |        |        |      |
| 001A1 | 763123-2  | KEYLESS DRILL CHUCK 10      | O   | 1   | *       |        |        |      |
| 001A2 | 763131-3  | KEYLESS DRILL CHUCK 10      | O   | 1   | *       |        |        |      |
| 001A3 | 763132-1  | KEYLESS DRILL CHUCK 10      | O   | 1   |         |        |        |      |
| 002A_ | 251448-1  | - PAN HEAD SCREW M5X18      |     | 1   |         |        |        |      |
| 003A_ | 153117-9  | GEAR COMPLETE               |     | 1   |         |        |        |      |
| C10   | 211119-2  | BALL BEARING 6201Z          |     | 1   |         |        |        |      |
| C20   | 257011-8  | RING 12                     |     | 1   |         |        |        |      |
| C30   | 221646-1  | HELICAL GEAR 68             |     | 1   |         |        |        |      |
| C40   | 321083-0  | SPINDLE                     |     | 1   |         |        |        |      |
| 004   | 211030-8  | BALL BEARING 627Z           |     | 1   |         |        |        |      |
| 005B_ | 181759-9  | HOUSING SET                 |     | 1   |         |        |        |      |
| C11   | 816266-0  | INDICATION LABEL            |     | 1   |         |        |        |      |
| C20   | 817728-1  | CAUTION LABEL               |     | 1   |         |        |        |      |
| D10   |           | INC. 24                     |     |     |         |        |        |      |
| 006   | 211030-8  | BALL BEARING 627Z           |     | 1   |         |        |        |      |
| 007   | 241503-7  | FAN 52                      |     | 1   |         |        |        |      |
| 008C1 | 511753-1  | ARMATURE ASS'Y 220V         |     | 1   |         |        |        |      |
| D10   |           | INC. 6,7,11                 |     |     |         |        |        |      |
| 009B_ | 191627-8  | CARBON BRUSH CB-64          |     | 1   | *       |        |        |      |
| 009B1 | 194968-1  | CARBON BRUSH SET CB-64      | O   | 1   |         |        |        |      |
| 010   | 643552-4  | BRUSH HOLDER 5-8            |     | 2   |         |        |        |      |
| 011   | 211020-1  | BALL BEARING 626Z           |     | 1   | *       |        |        |      |
| 011-1 | 210047-8  | BALL BEARING 626Z           | O   | 1   |         |        |        |      |
| 012C_ | 521368-6  | FIELD ASS'Y 220V            |     | 1   |         |        |        |      |
| C12   | 654002-4  | TERMINAL 1.25-M4            |     | 1   |         |        |        |      |
| 013E_ | 651247-5  | SWITCH 11-12                |     | 1   | *       |        |        |      |
| 013E1 | 651256-4  | SWITCH SGEL106CV-1A         | O   | 1   |         |        |        |      |
| 014B_ | 645173-8  | NOISE SUPPRESSOR            |     | 1   |         |        |        |      |
| 016-1 | 911133-5  | PAN HEAD SCREW M4X18        |     | 2   |         |        |        |      |
| 017   | 687001-1  | STRAIN RELIEF               |     | 1   |         |        |        |      |
| 018A_ | 682502-4  | CORD GUARD 8-85             |     | 1   |         |        |        |      |
| 019U_ | 666066-6  | POWER SUPPLY CORD 1.0-2-2.5 |     | 1   |         |        |        |      |
| 020C_ | 651478-6  | SWITCH VTX11                |     | 1   |         |        |        |      |
| 022   | 911148-2  | PAN HEAD SCREW M4X25        |     | 7   |         |        |        |      |
| 023   | 815121-3  | NAME PLATE 6010BVR          |     | 1   |         |        |        |      |
| 024B_ | 181759-9  | HOUSING SET                 |     | 1   |         |        |        |      |
| C11   | 816266-0  | INDICATION LABEL            |     | 1   |         |        |        |      |
| C20   | 817728-1  | CAUTION LABEL               |     | 1   |         |        |        |      |
| D10   |           | INC. 5                      |     |     |         |        |        |      |

Please order the parts with part number.

Print Date 4/12/2023