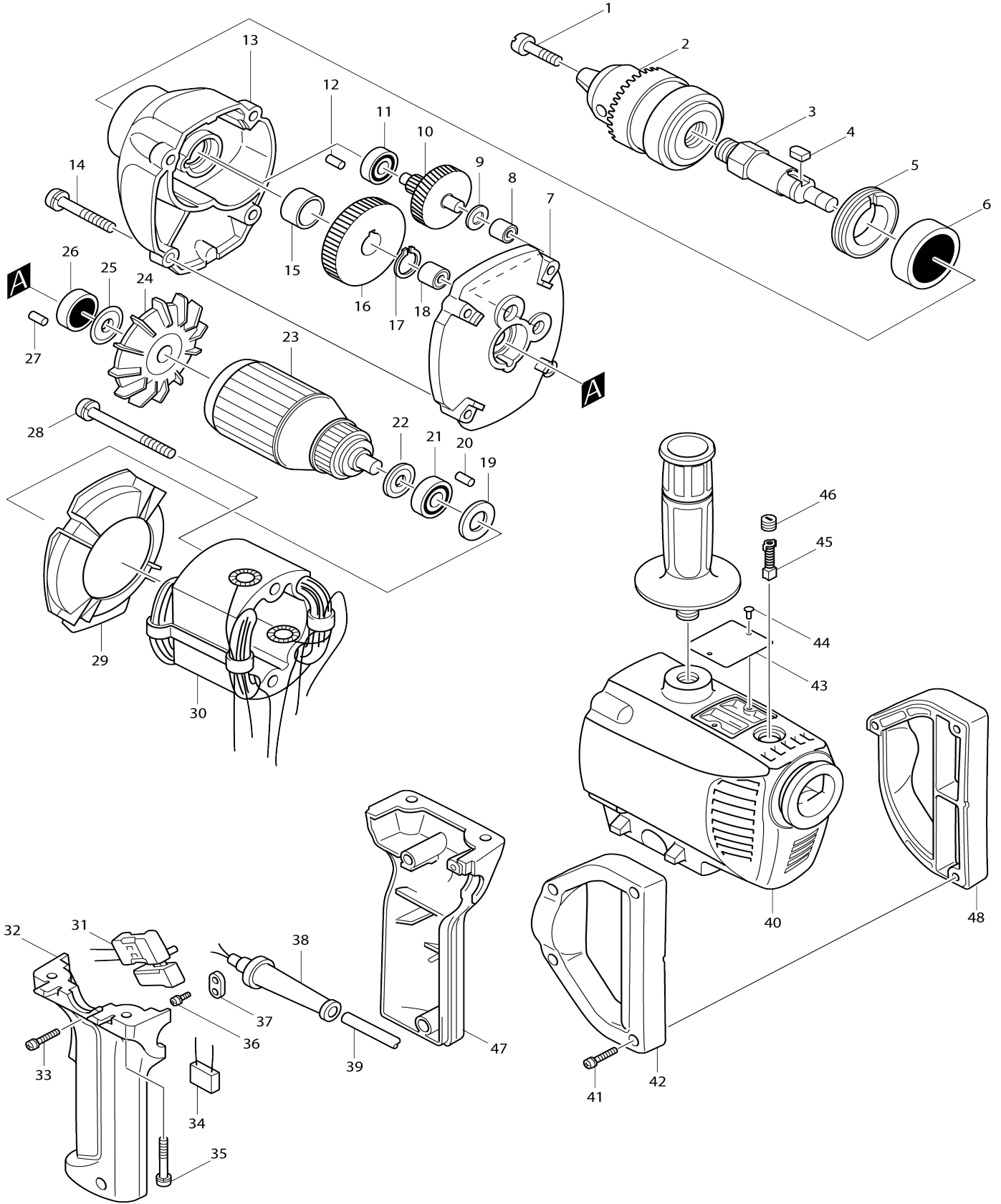


Model No.6013BR DRILL 13MM



Model No.6013BR DRILL 13MM

Item No.	Parts No.	Description	Interchangability	Q'ty	New/Old	Note1	Note2
001	251425-3	- FLAT HEAD SCREW M6X22		1			
002-1	192877-8	DRILL CHUCK S13		1			
003	325494-1	SPINDLE		1			
004	254211-1	KEY 5		1			
005	285808-5	BEARING RETAINER 25-36		1			
006	211206-7	BALL BEARING 6202LLB		1			
007	156972-8	GEAR HOUSING COVER		1			
D10		INC. 27					
008	212012-3	NEEDLE BEARING 609		1			
009	261008-1	FIBER WASHER 6		1			
010	226028-2	GEAR COMPLETE 7-41		1			
011	211016-2	BALL BEARING 626LLB		1			
012	263002-9	RUBBER PIN 4		1			
013	156971-0	GEAR HOUSING		1			
D10		INC. 12					
014	911256-9	PAN HEAD SCREW M5X35		4			
015	257018-4	RING 15		1			
016	221261-1	SPUR GEAR 47		1			
017	961054-1	RETAINING RING S-14		1			
018	212003-4	NEEDLE BEARING 810		1			
019	253192-6	FLAT WASHER 14		1			
020	263002-9	RUBBER PIN 4		1			
021	211033-2	BALL BEARING 608LB		1			
022-1	681613-2	INSULATION WASHER		1			
023C_	512613-0	ARMATURE ASS'Y 220V		1			
D10		INC. 21,22,24-26					
024	241622-9	FAN 62		1			
025	213002-9	DUST SEAL 8		1			
026	211031-6	BALL BEARING 608LLB		1			
027	263002-9	RUBBER PIN 4		1			
028-1	911280-2	PAN HEAD SCREW M5X55		2			
029	411487-5	FAN GUIDE		1			
030K_	527436-3	FIELD ASS'Y 220V		1			
C10	654018-9	RING TERMINAL		2			
C20	654501-6	CONNECTOR P-1.25		2			
031-2	651564-3	SWITCH SL220SD-4		1	*		
031-3	651564-3	SWITCH SL220SD-4	O	1			
032	181163-2	SWITCH HANDLE COVER SET		1			
D10		INC. 47					
033	911153-9	PAN HEAD SCREW M4X28		2			
034A1	645105-5	NOISE SUPPRESSOR		1			
034D_	645206-9	NOISE SUPPRESSOR		1			
035	911248-8	PAN HEAD SCREW M5X28		4			
036-1	911133-5	PAN HEAD SCREW M4X18		2			
037D_	687031-2	STRAIN RELIEF		1			
038A_	682502-4	CORD GUARD 8-85		1			
039W_	665394-6	POWER SUPPLY CORD 1.0-2-2.5		1			

040	156443-5	MOTOR HOUSING		1	*		
C10	643556-6	BRUSH HOLDER 5-8		2	*		
C20	913206-0	SET SCREW M5X8		2	*		
D10		INC. 20					
040-1	156443-5	MOTOR HOUSING	>	1			
C10	643556-6	BRUSH HOLDER 5-8		2			
D10		INC. 20					
041	911153-9	PAN HEAD SCREW M4X28		4			
042	181162-4	HANDLE SET		1			
D10		INC. 48					
043	815091-6	NAME PLATE 6013BR		1	*		
043-1	850143-6	NAME PLATE 6013BR	<	1			
044	953106-2	RIVET 0-5		2	*		
045	181021-2	CARBON BRUSH CB-51		1	*		
045-1	194963-1	CARBON BRUSH SET CB-51	O	1			
046	643550-8	BRUSH HOLDER CAP 5-8		2			
047	181163-2	SWITCH HANDLE COVER SET		1			
D10		INC. 32					
048	181162-4	HANDLE SET		1			
D10		INC. 42					
050	819003-1	MAKITA LABEL		1			
400-1	763432-9	CHUCK KEY S13		1			
401-1	152492-0	GRIP 36 COMPLETE		1			
901	681625-5	INSULATION WASHER		1			
903	646325-4	LINE COIL		1			

Please state Parts No. when your order.

Print Date 12/05/2023