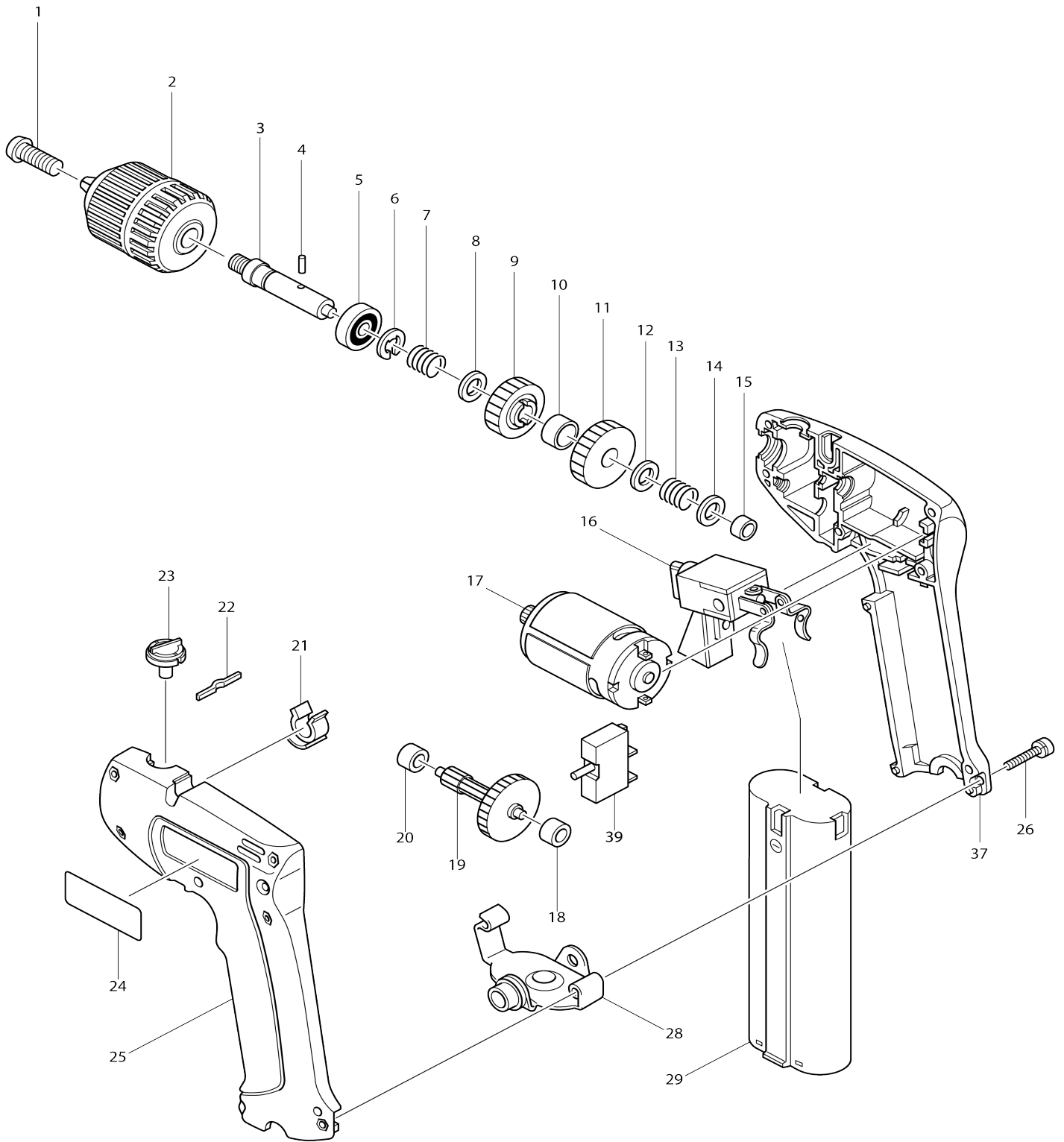


# Model No.6015D CORDLESS DRILL 10MM



Model No.6015D CORDLESS DRILL 10MM

Item No.	Parts No.	Description	Interchangability	Q'ty	New/Old	Note1	Note2
001	251448-1	- PAN HEAD SCREW M5X18		1			
002	192016-0	KEYLESS DRILL CHUCK 10		1			
003	321723-0	SPINDLE		1			
004	256101-4	PIN 3		1			
005	211061-7	BALL BEARING 6000LLB		1			
006	961015-1	STOP RING E-9		1			
007	231250-8	COMPRESSION SPRING 10		1			
008	253330-0	THIN WASHER 10		1			
009	221861-7	SPUR GEAR 69		1			
010	257073-6	RING 16		1			
011	221862-5	SPUR GEAR 78		1			
012	253330-0	THIN WASHER 10		1			
013	231250-8	COMPRESSION SPRING 10		1			
014	253807-5	FLAT WASHER 5		1			
015	214017-9	PLANE BEARING 5		1			
016	531059-1	Switch assembly TG60A		1			
017	629514-6	DC MOTOR 7.2V		1	*		
C10	221851-0	SPUR GEAR 11		1	*		
017-1	629801-3	DC MOTOR 7.2V	<	1			
C10	221851-0	SPUR GEAR 11		1			
018	214016-1	PLANE BEARING 3		1			
019	153126-8	GEAR COMPLETE		1			
020	214016-1	PLANE BEARING 3		1			
021	411640-3	HOLDER 6		1			
022	232053-3	LEAF SPRING		1			
023	168097-6	SHIFTER		1			
024	851805-9	Name plate 6015D		1			
025A_	181780-8	HOUSING SET		1			
C10	816266-0	INDICATION LABEL		1			
C20	817682-9	CAUTION LABEL		1			
D10		INC. 37					
026	911143-2	PAN HEAD SCREW M4X22		7			
028	163157-9	SET PLATE		1	*		
028-1	342833-0	SET PLATE	O	1			
029	191679-9	BATTERY 7000 SET		1			
037A_	181780-8	HOUSING SET		1			
C10	816266-0	INDICATION LABEL		1			
C20	817682-9	CAUTION LABEL		1			
D10		INC. 25					
039	652532-9	OVER CURRENT RELAY BC51		1			
A01	414938-7	BATTERY COVER		1			
A02	784202-3	PHILLIPS BIT 2-45		1	*		
A02-1	784202-3	PHILLIPS BIT 2-45	O	1	*		
A02-2	784202-3	PHILLIPS BIT 2-45	O	1			
A03	824446-4	PLASTIC CARRYING CASE		1	*		
A03-1	824621-2	PLASTIC CARRYING CASE	X	1	*		
A03-2	824716-1	PLASTIC CARRYING CASE	<	1			

B01	***DC9700	DC9700 FAST CHARGER		1	*		
B01-1	***DC9710	DC9710 BATTERY CHARGER	O	1	*		
B01-2	***DC1414	DC1414 BATTERY CHARGER	<	1			

Please state Parts No. when your order.

Print Date 10/06/2023