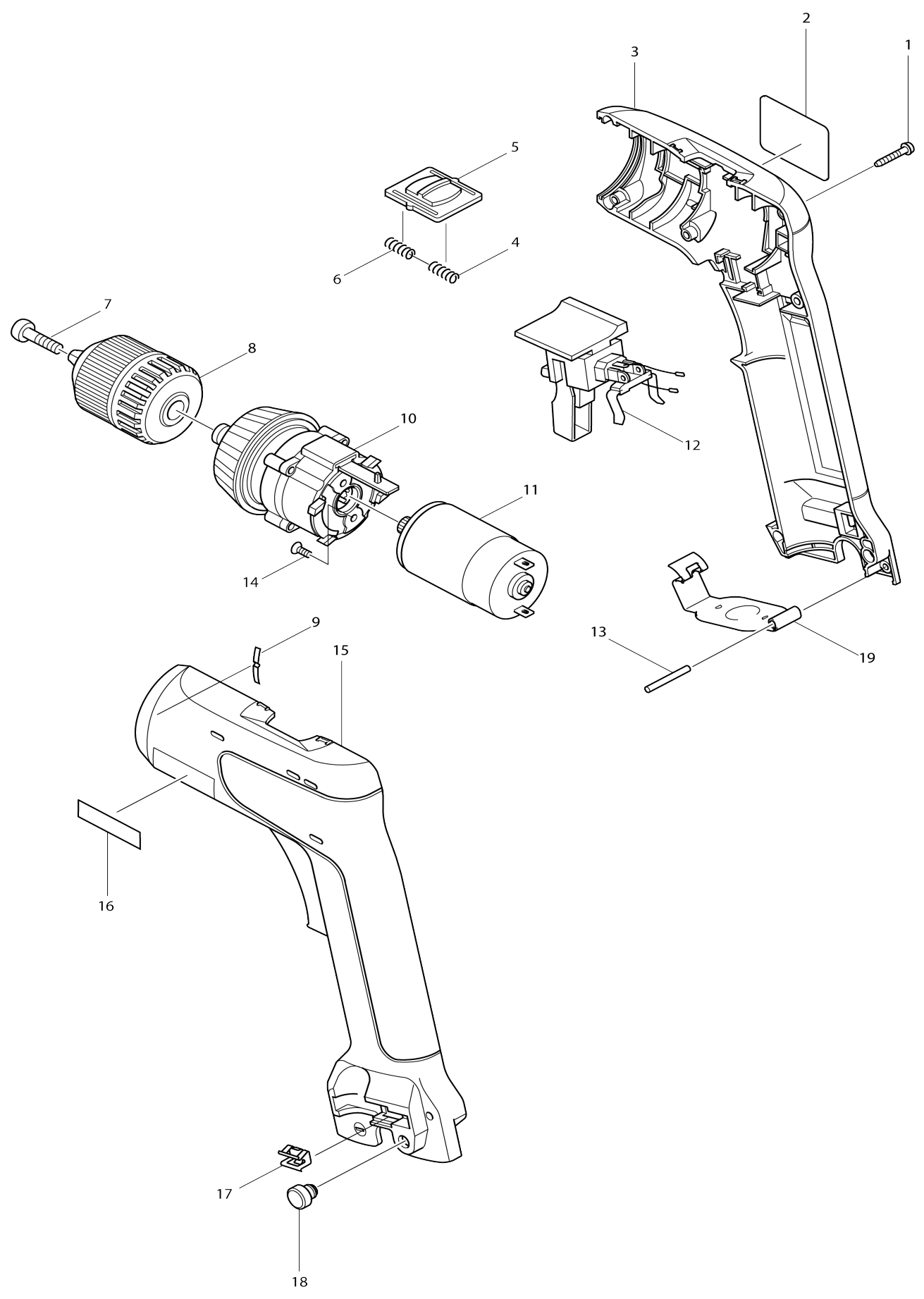


Model No.6019D CORDLESS DRIVER DRILL



Model No.6019D CORDLESS DRIVER DRILL

| Item No. | Parts No. | Description | Interchangeability | Q'ty | New/Old | Note1 | Note2 |
|----------|-----------|------------------------------|--------------------|------|---------|-------|-------|
| 001 | 266130-9 | TAPPING SCREW BIND PT 3X16 | | 7 | | | |
| 002 | 858382-2 | Name plate 6019D | | 1 | | | |
| 003 | 182836-0 | Housing set (blue) | | 1 | | | |
| D10 | | INC. 15,16 | | | | | |
| 004 | 231433-0 | COMPRESSION SPRING 4 | | 1 | | | |
| 005 | 416119-9 | Speed change lever | | 1 | | | |
| 006 | 231433-0 | COMPRESSION SPRING 4 | | 1 | | | |
| 007 | 251457-0 | - PAN HEAD SCREW M5X20 | | 1 | | | |
| 008 | 763119-3 | KEYLESS DRILL CHUCK 10 | | 1 | * | | |
| 008-1 | 192016-0 | KEYLESS DRILL CHUCK 10 | O | 1 | * | | |
| 008-2 | 193601-2 | Keyless drill chuck set | O | 1 | | | |
| 009 | 232162-8 | LEAF SPRING | | 1 | | | |
| 010 | 125050-5 | Gear assembly | | 1 | | | |
| 011 | 629708-3 | DC motor | | 1 | * | | |
| C10 | 226316-7 | Spur gear 10 | | 1 | * | | |
| 011-1 | 629779-0 | DC motor | < | 1 | * | | |
| C10 | 226316-7 | Spur gear 10 | | 1 | * | | |
| 011-2 | 629779-0 | DC motor | O | 1 | | | |
| C10 | 226316-7 | Spur gear 10 | | 1 | | | |
| 012 | 531076-1 | Switch assembly | | 1 | * | | |
| 012-1 | 531078-7 | Switch assembly | O | 1 | | | |
| 013 | 256252-3 | PIN 3 | | 1 | | | |
| 014 | 912002-3 | COUNTERSUNK HEAD SCREW M3 X6 | | 2 | | | |
| 015 | 182836-0 | Housing set (blue) | | 1 | | | |
| D10 | | INC. 3,16 | | | | | |
| 016 | 819720-3 | MAKITA LABEL | | 1 | | | |
| 017 | 344391-2 | BIT HOLDER | | 2 | | | |
| 018 | 263022-3 | RUBBER PIN 6 | | 2 | | | |
| 019 | 344549-3 | SET PLATE | | 1 | | | |
| A02 | 784202-3 | PHILLIPS BIT 2-45 | | 2 | * | | |
| A02-1 | 784202-3 | PHILLIPS BIT 2-45 | O | 2 | * | | |
| A02-2 | 784637-8 | + - BIT 2-45 | X | 2 | | | |
| A01 | 414938-7 | BATTERY COVER | | 2 | | | |
| A03 | 824475-7 | PLASTIC CASE | | 1 | * | | |
| C10 | 183091-7 | SLIDE LATCH RL SET | | 1 | * | | |
| A03-1 | 824723-4 | PLASTIC CARRYING CASE | < | 1 | | | |
| C10 | 183091-7 | SLIDE LATCH RL SET | | 1 | | | |
| A04 | 191679-9 | BATTERY 7000 SET | | 2 | * | | |
| A04-1 | 193888-6 | Battery set 7034 | < | 2 | | | |

Please state Parts No. when your order.

Print Date 10/06/2023