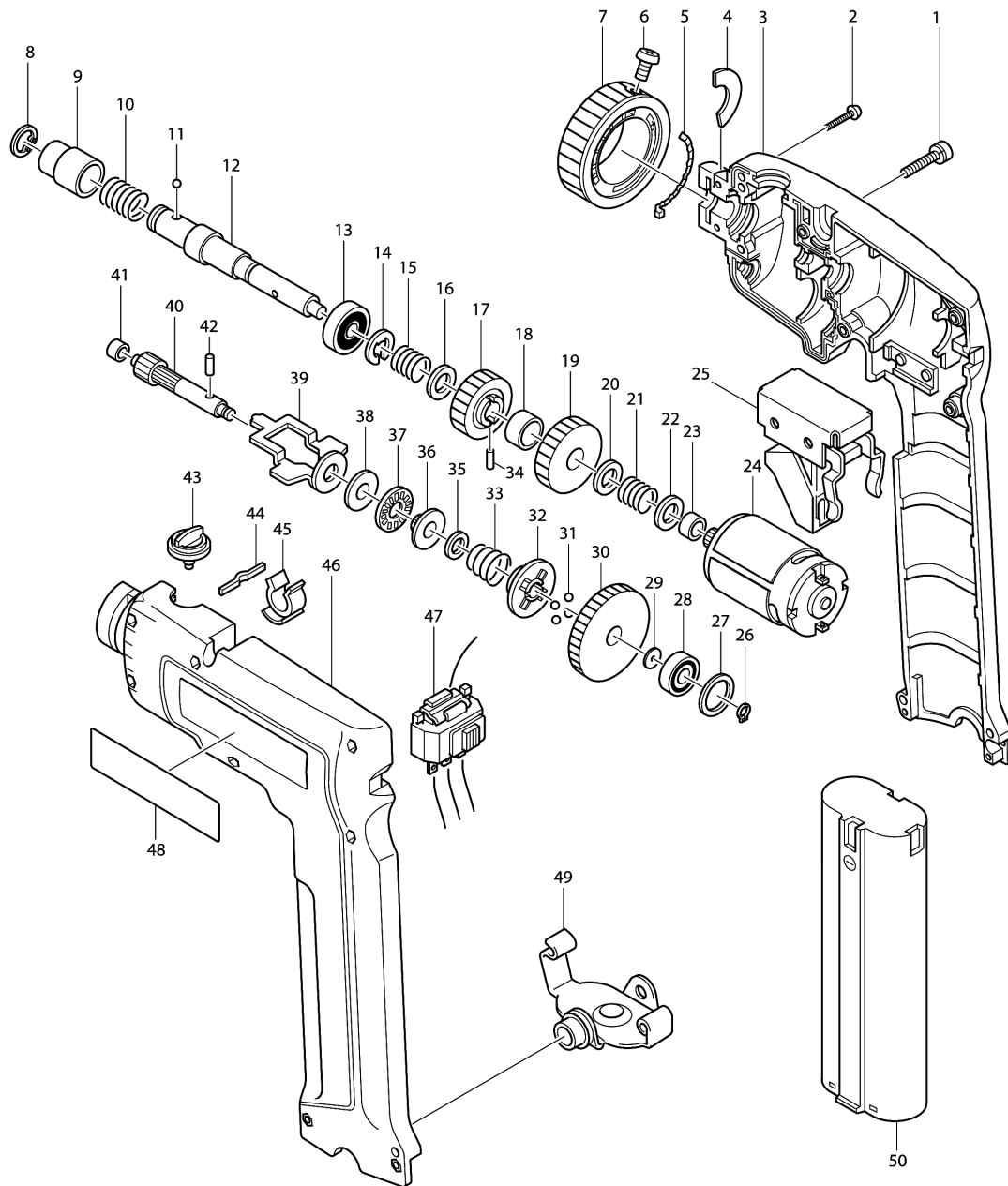


Model No.6094D CORDLESS SCREWDRIVER



Model No.6094D CORDLESS SCREWDRIVER

Item	Parts No.	Description	I/C	Qty	New/Old	Opt. 1	Opt. 2	Note
001	911143-2	PAN HEAD SCREW M4X22		6				
002	911163-6	PAN HEAD SCREW M4X35		2				
003-2	182141-5	HOUSING SET		1				
D10		INC. 46-2						
004	343421-6	GUIDE PLATE		2				
005	343410-1	CAM PLATE		1				
006	251322-3	+ PAN HEAD SCREW M5X12		2				
007	410936-9	CHANGE RING		1				
008-1	961072-9	RETAINING RING S-12		1				
009-1	321997-3	SLEEVE		1				
010	231421-7	COMPRESSION SPRING 13		1				
011	216001-0	STEEL BALL 3.5		1				
012	321996-5	SPINDLE		1				
013	211061-7	BALL BEARING 6000LLB		1				
014	961015-1	STOP RING E-9		1				
015	231250-8	COMPRESSION SPRING 10		1				
016	253330-0	THIN WASHER 10		1				
017	221862-5	SPUR GEAR 78		1				
018	257073-6	RING 16		1				
019	221884-5	SPUR GEAR 93		1				
020	253330-0	THIN WASHER 10		1				
021	231250-8	COMPRESSION SPRING 10		1				
022	253807-5	FLAT WASHER 5		1				
023	214017-9	PLANE BEARING 5		1				
024-1	629581-1	DC MOTOR 9.6V		1	*			
C10	221882-9	SPUR GEAR 15		1	*			
024-2	629196-4	DC MOTOR 9.6V	O	1				
C10	221882-9	SPUR GEAR 15		1				
025-2	651354-4	SWITCH C3BF-AJ		1				
026	961002-0	RETAINING RING S-6		1				
027	253842-3	FLAT WASHER 14		1				
028	211016-2	BALL BEARING 626LLB		1				
029	253804-1	FLAT WASHER 6		1				
030-1	226233-1	SPUR GEAR 89		1				
031-1	216011-7	STEEL BALL 5.6		4				
032-1	223086-9	CLUTCH CAM		1				
033	231927-5	CONICAL COMPR. SPRING 16-21		1				
034	256101-4	PIN 3		1				
035	257141-5	RING 8		1				
036	341902-4	DISC		1				
037	216401-4	THRUST NEEDLE CAGE 1023		1				
038	253851-2	FLAT WASHER 8		1				
039	164840-1	SLIDER		1				
040	226062-2	GEAR COMPLETE 12-28		1				
041	214019-5	PLANE BEARING 4		1				

Please order the parts with part number.

Print Date 6/10/2023

Model No.6094D CORDLESS SCREWDRIVER

Item	Parts No.	Description	I/C	Qty	New/Old	Opt. 1	Opt. 2	Note
042	256119-5	PIN 3		1				
043	168096-8	SHIFTER		1				
044	232053-3	LEAF SPRING		1				
045	411640-3	HOLDER 6		1				
046-2	182141-5	HOUSING SET		1				
D10		INC. 3-2						
047-1	531057-5	SWITCH ASS'Y C3BC-01		1				
048	855883-1	NAME PLATE 6094D		1				
049	163157-9	SET PLATE		1	*			
049-1	342833-0	SET PLATE	O	1				
050-1	191681-2	BATTERY 9000 SET		1				
400	784202-3	PHILLIPS BIT 2-45		1	*			
400-1	784202-3	PHILLIPS BIT 2-45	O	1	*			
400-2	784202-3	PHILLIPS BIT 2-45	O	1				
401-2	824431-7	PLASTIC CARRYING CASE		1	*			
C10	182935-8	SLIDE LATCH (R.L) SET		1	*			
401-3	824616-5	PLASTIC CARRYING CASE	X	1				
C10	182935-8	SLIDE LATCH (R.L) SET		1				
402	414938-7	BATTERY COVER		1				

Please order the parts with part number.

Print Date 6/10/2023