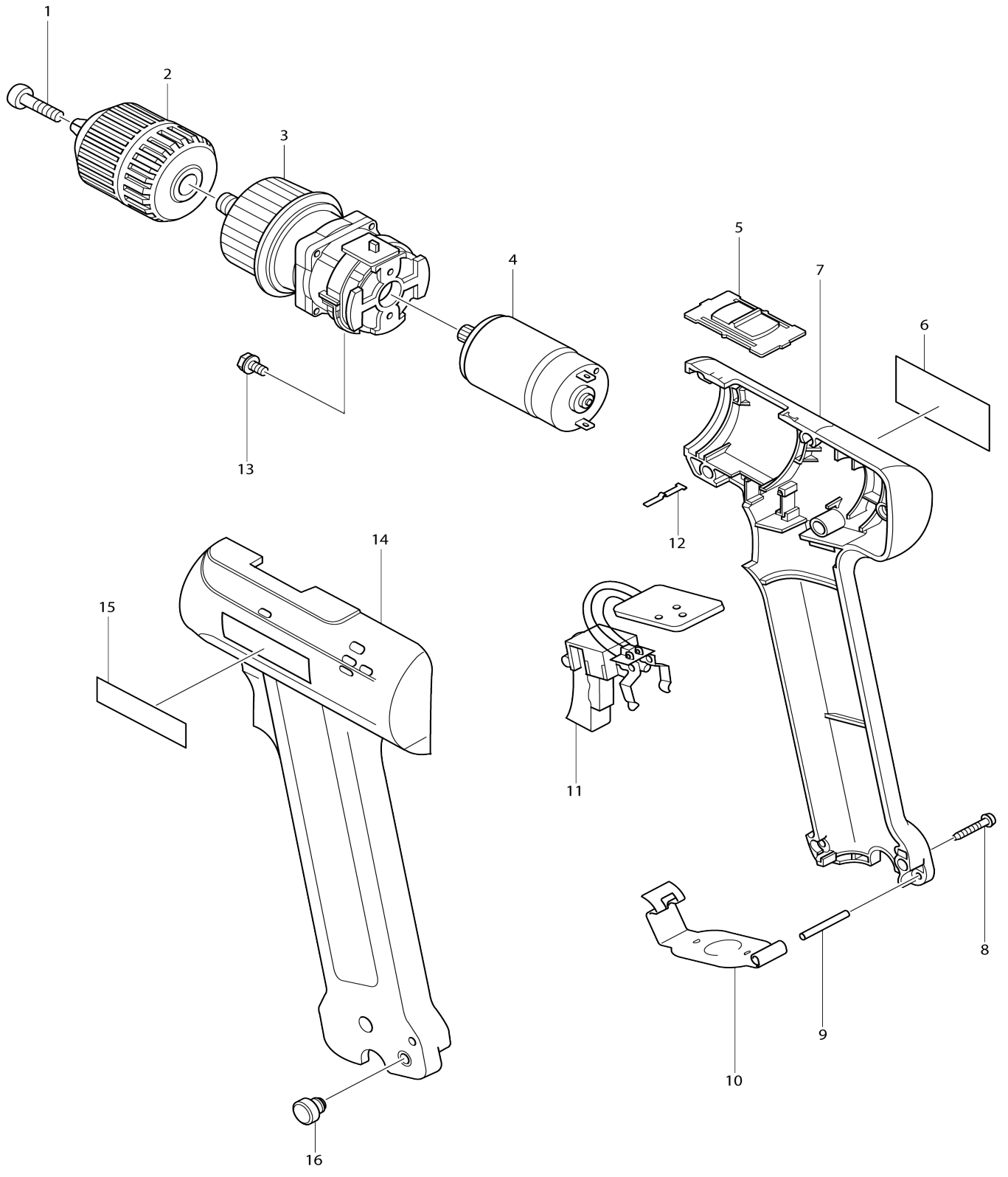


Model No.6096D CORDLESS DRIVER DRILL



Model No.6096D CORDLESS DRIVER DRILL

Item No.	Parts No.	Description	Interchangeability	Q'ty	New/Old	Note1	Note2
001	251457-0	- PAN HEAD SCREW M5X20		1			
002	763132-1	KEYLESS DRILL CHUCK 10		1	*		
002-1	193601-2	Keyless drill chuck set	O	1			
003	125087-2	GEAR ASS'Y		1			
004	629726-1	DC motor		1	*		
C10	226359-9	SPUR GEAR 14		1	*		
004-1	629778-2	DC motor	<	1	*		
C10	226359-9	SPUR GEAR 14		1	*		
004-2	629778-2	DC motor	O	1			
C10	226359-9	SPUR GEAR 14		1			
005	125091-1	SPEED CHANGE LEVER ASS'Y		1			
006	859566-5	Name plate 6096D		1			
007	183016-1	Housing set (blue)		1			
D10		INC. 14,15					
008	266130-9	TAPPING SCREW BIND PT 3X16		7			
009	256252-3	PIN 3		1			
010	344549-3	SET PLATE		1			
011	651966-3	Switch TG55A-2		1	*		
011-1	531079-5	Switch assembly	<	1			
012	232182-2	LEAF SPRING		1			
013	911003-8	PAN HEAD SCREW M3X6		2			
014	183016-1	Housing set (blue)		1			
D10		INC. 7,15					
015	819063-3	MAKITA LABEL		1			
016	263022-3	RUBBER PIN 6		2			
A01	414938-7	BATTERY COVER		1			
A02	784202-3	PHILLIPS BIT 2-45		1	*		
A02-1	784202-3	PHILLIPS BIT 2-45	O	1	*		
A02-2	784637-8	+ - BIT 2-45	X	1			
A03	824517-7	PLASTIC CASE		1	*		
A03-1	824723-4	PLASTIC CARRYING CASE	<	1			
C10	183091-7	SLIDE LATCH RL SET		1			
B01	***DC9700	DC9700 FAST CHARGER		1	*		
B01-1	***DC9710	DC9710 BATTERY CHARGER	O	1	*		
B01-2	***DC1414	DC1414 BATTERY CHARGER	<	1			
B02	191681-2	BATTERY 9000 SET		1			
E01	191681-2	BATTERY 9000 SET		1			
B01A_	***DC9701	DC9701 FAST CHARGER		1	*		
B01A 1	***DC9711	DC9711 BATTERY CHARGER	O	1	*		
B01A 2	***DC1414	DC1414 BATTERY CHARGER	<	1			
B02A_	192696-2	NI-MH BATTERY 9033		1	*		
B02A 1	193889-4	BATTERY 9034 SET	O	1			
B01	***DC9711	DC9711 BATTERY CHARGER		1	*		
B01-1	***DC1414	DC1414 BATTERY CHARGER	<	1			
B02	192696-2	NI-MH BATTERY 9033		1	*		

B02-1	193889-4	BATTERY 9034 SET	O	1			
B01	***DC9710	DC9710 BATTERY CHARGER		1	*		

Please state Parts No. when your order.

Print Date 10/24/2023