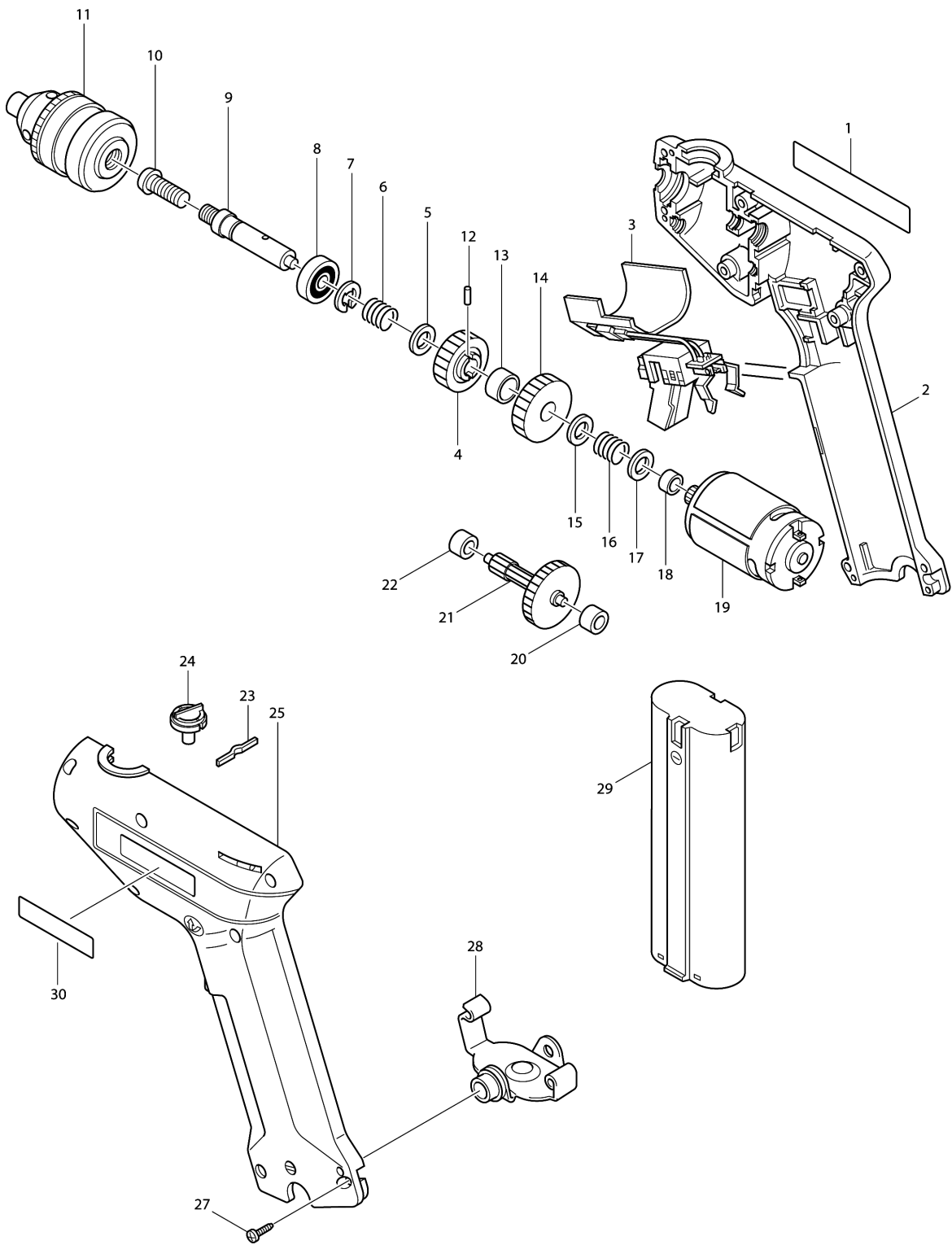


Model No.6172D CORDLESS DRIVER DRILL



Model No.6172D CORDLESS DRIVER DRILL

Item	Parts No.	Description	I/C	Qty	New/Old	Opt. 1	Opt. 2	Note
001	856794-3	NAME PLATE 6172D		1				
002	182407-3	HOUSING SET		1	*			
D10		INC. 002			*			
002-1	182828-9	HOUSING SET	S	1				
D10		INC. 25-1						
003	651912-6	SWITCH TG55A		1				
004	221861-7	SPUR GEAR 69		1				
005	253330-0	THIN WASHER 10		1				
006	231250-8	COMPRESSION SPRING 10		1				
007	961015-1	STOP RING E-9		1				
008	211061-7	BALL BEARING 6000LLB		1				
009	321723-0	SPINDLE		1				
010	251451-2	- PAN HEAD SCREW M5X22		1	*			
010-1	265B83-1	-PAN HEAD SCREW M5X22	O	1				
011	763083-8	KEYLESS CHUCK LD10 1/16-3/8"		1	*			
011-1	763132-1	KEYLESS DRILL CHUCK 10	O	1				
012	256101-4	PIN 3		1				
013	257073-6	RING 16		1				
014	221862-5	SPUR GEAR 78		1				
015	253330-0	THIN WASHER 10		1				
016	231250-8	COMPRESSION SPRING 10		1				
017	253807-5	FLAT WASHER 5		1				
018	214017-9	PLANE BEARING 5		1				
019	629623-1	DC MOTOR		1	*			
C10	221851-0	SPUR GEAR 11		1	*			
019-1	629623-1	DC MOTOR	O	1				
C10	221851-0	SPUR GEAR 11		1				
020	214016-1	PLANE BEARING 3		1				
021	153126-8	GEAR COMPLETE		1				
022	214016-1	PLANE BEARING 3		1				
023	232053-3	LEAF SPRING		1				
024	168097-6	SHIFTER		1				
025	182828-9	HOUSING SET		1	*			
D10		INC. 025			*			
025-1	182828-9	HOUSING SET	S	1				
D10		INC. 2-1						
026	818057-5	LABEL		1	*			
027-1	266121-0	TAPPING SCREW FLANGE PF 4X18		8	*			
027-2	265995-6	TAPPING SCREW 4X18	O	8				
028	163157-9	SET PLATE		1	*			
028-1	342833-0	SET PLATE	O	1				
029-1	191679-9	BATTERY 7000 SET		1				
030	819063-3	MAKITA LABEL		1				
A01-1	784202-3	PHILLIPS BIT 2-45		1	*			

Please order the parts with part number.

Print Date 6/10/2023

Model No.6172D CORDLESS DRIVER DRILL

Item	Parts No.	Description	I/C	Qty	New/Old	Opt. 1	Opt. 2	Note
A01-2	784202-3	PHILLIPS BIT 2-45	O	1	*			
A01-3	784202-3	PHILLIPS BIT 2-45	O	1				
A02-1	824370-1	PLASTIC CARRYING CASE		1				
A03	414938-7	BATTERY COVER		1				

Please order the parts with part number.

Print Date 6/10/2023