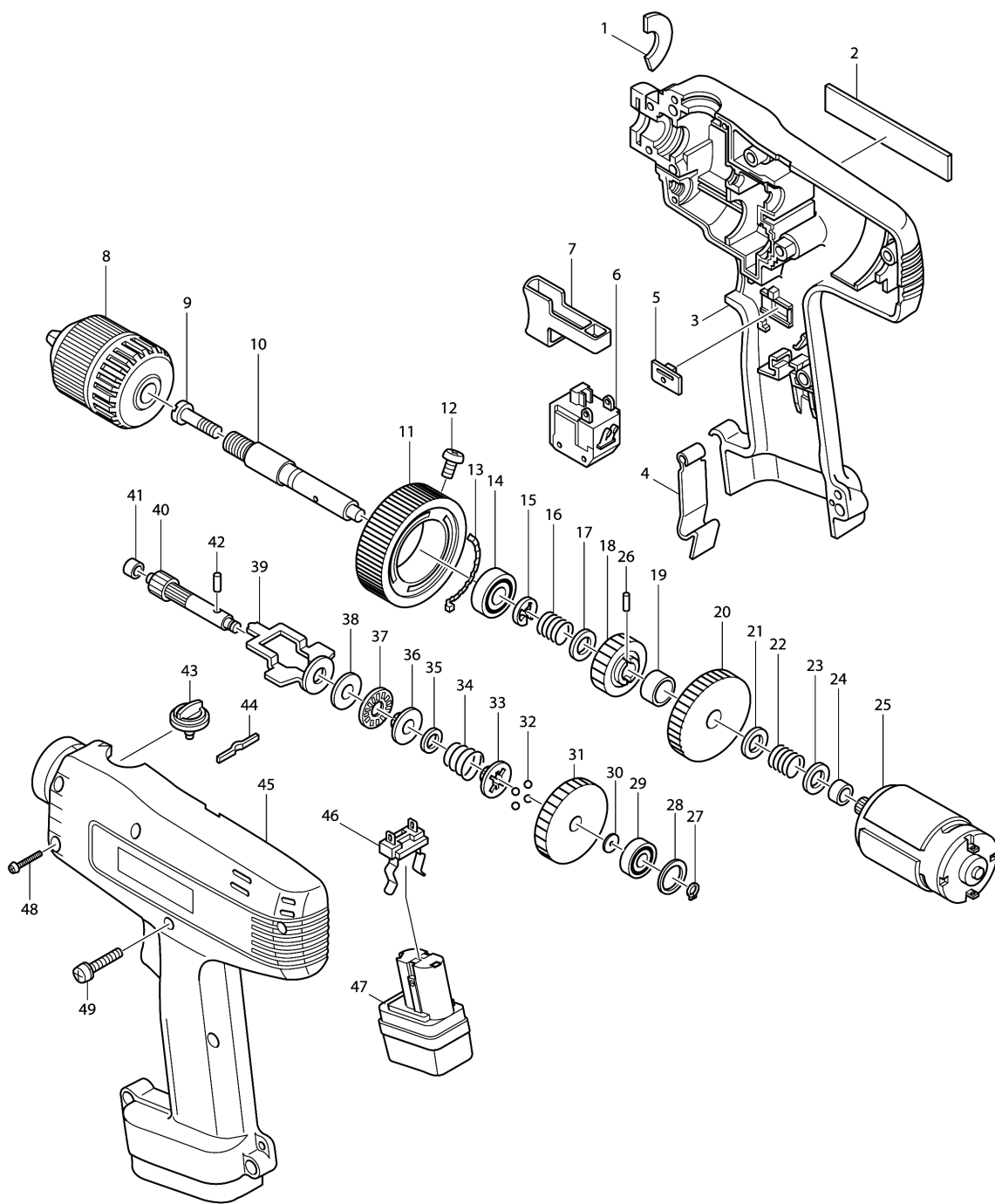


Model No.6200D CORDLESS DRIVER DRILL



Model No.6200D CORDLESS DRIVER DRILL

Item	Parts No.	Description	I/C	Qty	New/Old	Opt. 1	Opt. 2	Note
001	343421-6	GUIDE PLATE		2				
002	856593-3	NAME PLATE 6200D		1				
003-1	182365-3	HOUSING SET		1				
004	343579-1	SET PLATE		1				
005	414610-1	LEVER		1				
006-1	651909-5	SWITCH C3KE		1	*			
006-2	650500-6	SWITCH	O	1				
007	414611-9	SWITCH LEVER		1				
008	763083-8	KEYLESS CHUCK LD10 1/16-3/8"		1	*			
008-1	763132-1	KEYLESS DRILL CHUCK 10	O	1				
009	251451-2	- PAN HEAD SCREW M5X22		1	*			
009-1	265B83-1	-PAN HEAD SCREW M5X22	O	1				
010	321995-7	SPINDLE		1				
011	410936-9	CHANGE RING		1				
012	251322-3	+ PAN HEAD SCREW M5X12		2				
013	343410-1	CAM PLATE		1				
014	211061-7	BALL BEARING 6000LLB		1				
015	961015-1	STOP RING E-9		1				
016	231250-8	COMPRESSION SPRING 10		1				
017	253330-0	THIN WASHER 10		1				
018	221862-5	SPUR GEAR 78		1				
019	257073-6	RING 16		1				
020	226218-7	SPUR GEAR 93		1				
021	253330-0	THIN WASHER 10		1				
022	231250-8	COMPRESSION SPRING 10		1				
023	253807-5	FLAT WASHER 5		1				
024	214017-9	PLANE BEARING 5		1				
025	629605-3	DC MOTOR 9.6/10.8V		1				
C10	221882-9	SPUR GEAR 15		1				
026	256101-4	PIN 3		1				
027	961002-0	RETAINING RING S-6		1				
028	253842-3	FLAT WASHER 14		1				
029	211016-2	BALL BEARING 626LLB		1				
030	253804-1	FLAT WASHER 6		1				
031-1	226233-1	SPUR GEAR 89		1				
032-1	216011-7	STEEL BALL 5.6		4				
033-1	223086-9	CLUTCH CAM		1				
034	231927-5	CONICAL COMPR. SPRING 16-21		1				
035	257141-5	RING 8		1				
036	341902-4	DISC		1				
037	216401-4	THRUST NEEDLE CAGE 1023		1				
038-1	253851-2	FLAT WASHER 8		1				
039	164840-1	SLIDER		1				
040	226062-2	GEAR COMPLETE 12-28		1				

Please order the parts with part number.

Print Date 6/10/2023

Model No.6200D CORDLESS DRIVER DRILL

Item	Parts No.	Description	I/C	Qty	New/Old	Opt. 1	Opt. 2	Note
041	214019-5	PLANE BEARING 4		1				
042	256119-5	PIN 3		1				
043	168096-8	SHIFTER		1				
044	232053-3	LEAF SPRING		1				
045-1	182365-3	HOUSING SET		1				
D10		INC. 3-1						
046	643909-9	BATTERY HOLDER		1				
047	192019-4	BATTERY 9100 SET		1				
048	911163-6	PAN HEAD SCREW M4X35		2				
049	911143-2	PAN HEAD SCREW M4X22		6				
A01	784203-1	PHILLIPS BIT 2-65		1	*			
A01-1	784203-1	PHILLIPS BIT 2-65	O	1	*			
A01-2	784203-1	PHILLIPS BIT 2-65	O	1				
A02	182275-4	STEEL CARRYING CASE		1				
A03	414938-7	BATTERY COVER		1				

Please order the parts with part number.

Print Date 6/10/2023