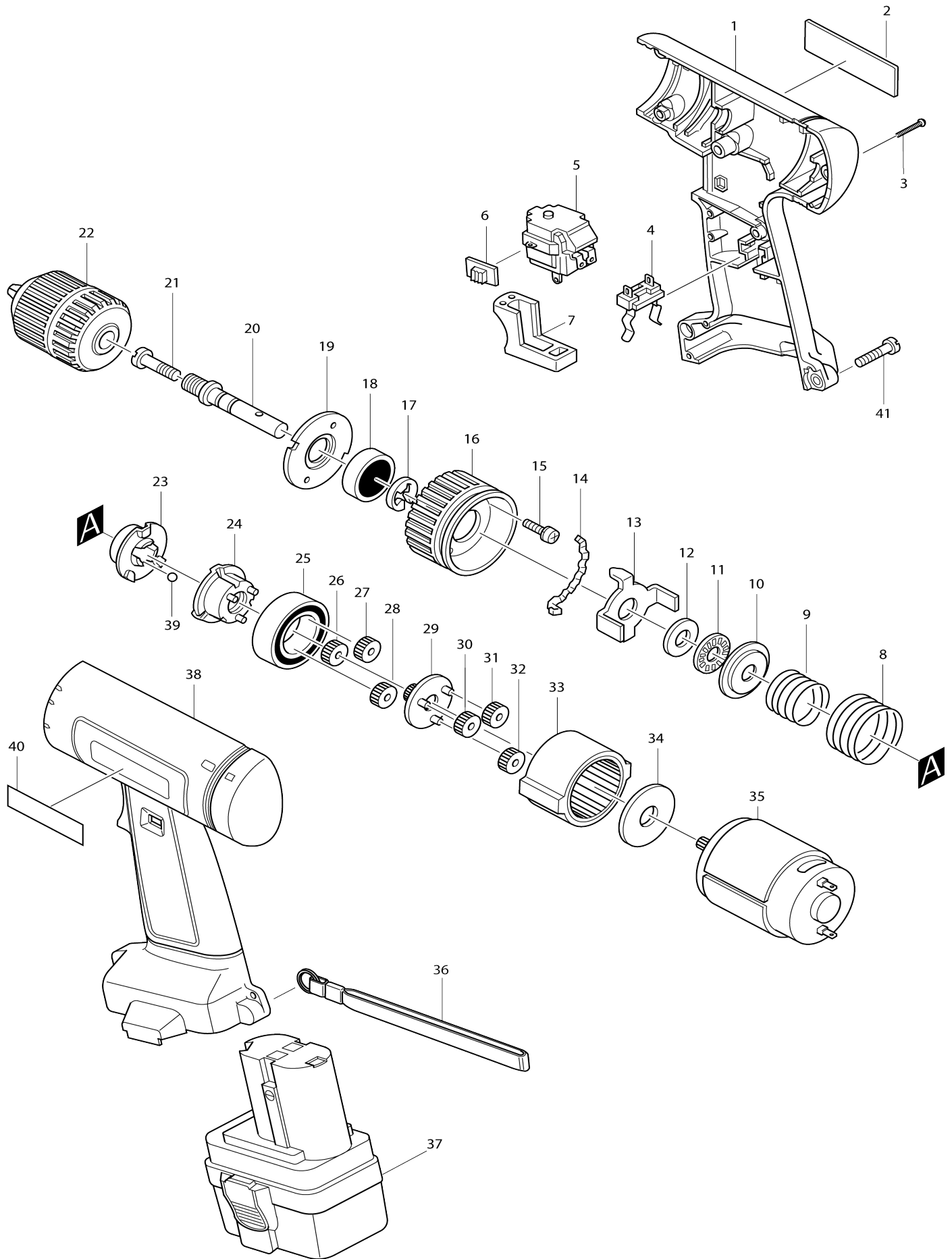


Model No.6222D CORDLESS DRIVER DRILL



Model No.6222D CORDLESS DRIVER DRILL

Item No.	Parts No.	Description	Interchangeability	Q'ty	New/Old	Note1	Note2
001	182916-2	HOUSING SET		1	*		
D10		INC. 38					
001-1	183042-0	HOUSING SET	X	1			
D10		INC. 38,40					
002-1	859923-7	NAME PLATE 6222D		1			
003	265995-6	TAPPING SCREW 4X18		7	*		
003-1	265995-6	TAPPING SCREW 4X18	O	6			
004	643909-9	BATTERY HOLDER		1			
005	651909-5	SWITCH C3KE		1	*		
005-1	650500-6	SWITCH	O	1			
006	414740-8	LEVER		1			
007	415671-4	SWITCH LEVER		1			
008	233044-7	COMPRESSION SPRING 27		1			
009	233196-4	COMPRESSION SPRING 22		1			
010	267705-7	WASHER 10		1			
011	216401-4	THRUST NEEDLE CAGE 1023		1			
012	253180-3	FLAT WASHER 10		1			
013	165087-0	SLIDER		1			
014	344131-8	CAM PLATE		2			
015	911023-2	PAN HEAD SCREW M3X14		2			
016	415515-8	CHANGE RING		1			
017	961015-1	STOP RING E-9		1			
018	211061-7	BALL BEARING 6000LLB		1			
019	285678-2	BEARING RETAINER 14		1			
020	322880-7	SPINDLE		1			
021	251451-2	- PAN HEAD SCREW M5X22		1			
022-1	763132-1	KEYLESS DRILL CHUCK 10		1			
023	223115-8	CLUTCH CAM		1			
024	153229-8	CLUTCH CAM COMPLETE		1			
C10	256157-7	PIN 3		3			
025	211375-4	BALL BEARING 6805LLB		1			
026	226284-4	SPUR GEAR 15		1			
027	226284-4	SPUR GEAR 15		1			
028	226284-4	SPUR GEAR 15		1			
029	153228-0	SPUR GEAR 9 COMPLETE		1			
030	226283-6	SPUR GEAR 15		1			
031	226283-6	SPUR GEAR 15		1			
032	226283-6	SPUR GEAR 15		1			
033	226285-2	INTERNAL GEAR 42		1			
034	267067-3	FLAT WASHER 12		1			
035	629694-8	DC MOTOR 9.6V		1			
C10	226281-0	SPUR GEAR 9		1			
037	192638-6	BATTERY 9120 SET		1			
038	182916-2	HOUSING SET		1	*		
D10		INC. 1					
038-1	183042-0	HOUSING SET	X	1			
D10		INC. 1,40					

039	216011-7	STEEL BALL 5.6		3		
040	819063-3	MAKITA LABEL		1		
041	911143-2	PAN HEAD SCREW M4X22		1		
A01	414938-7	BATTERY COVER		2		
A02	192638-6	BATTERY 9120 SET		1		
A03	784202-3	PHILLIPS BIT 2-45		1	*	
A03-1	784202-3	PHILLIPS BIT 2-45	O	1	*	
A03-2	784202-3	PHILLIPS BIT 2-45	O	1	*	
A03-3	784043-7	+BIT 2-45	O	1		
A04	824447-2	PLASTIC CARRYING CASE		1	*	
C10	186347-7	SLIDE LATCH SET		1	*	
A04-1	824715-3	PLASTIC CARRYING CASE	<	1		
C10	186347-7	SLIDE LATCH SET		1		
B01	***DC9700	DC9700 FAST CHARGER		1	*	
B01-1	***DC9710	DC9710 BATTERY CHARGER	O	1	*	
B01-2	***DC1414	DC1414 BATTERY CHARGER	<	1		
037A_	192697-0	BATTERY 9133 SET		1	*	
037A1	192697-0	BATTERY 9133 SET	O	1		
A02A_	192697-0	BATTERY 9133 SET		1	*	
A02A 1	192697-0	BATTERY 9133 SET	O	1		
A04A_	824492-7	PLASTIC CARRYING CASE		1		
C10	186347-7	SLIDE LATCH SET		1	*	
C11	417059-4	LATCH	X	2		

Please state Parts No. when your order.

Print Date 10/06/2023