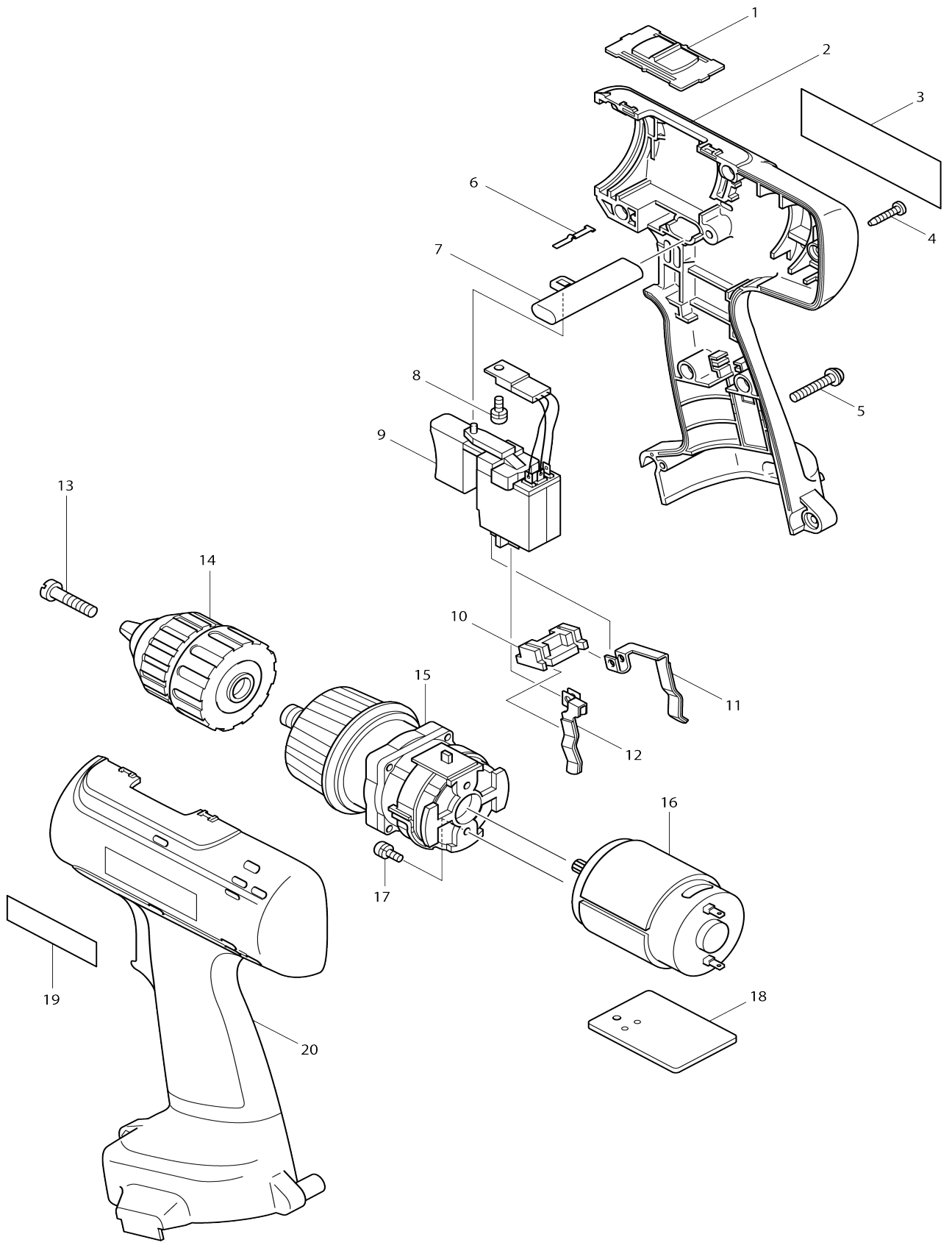


Model No.6227D CORDLESS DRIVER DRILL



Model No.6227D CORDLESS DRIVER DRILL

Item No.	Parts No.	Description	Interchangability	Q'ty	New/Old	Note1	Note2
001	125091-1	SPEED CHANGE LEVER ASS'Y		1			
C10	231433-0	COMPRESSION SPRING 4		2			
002	183211-3	HOUSING SET		1			
D10		INC. 20					
003	852064-8	NAME PLATE 6227D		1	*		
003-1	853915-8	NAME PLATE 6227D	O	1			
004	266130-9	TAPPING SCREW BIND PT 3X16		8			
005	911143-2	PAN HEAD SCREW M4X22		1			
006	232182-2	LEAF SPRING		1			
007	416079-5	F/R CHANGE LEVER		1			
008	911003-8	PAN HEAD SCREW M3X6		1			
009	651989-1	SWITCH		1	*		
009-1	651989-1	SWITCH	O	1			
010	687085-9	HOLDER		1			
011	654168-0	SPRING TERMINAL (+)		1	*		
011-1	654168-0	SPRING TERMINAL (+)	<	1			
012	654169-8	SPRING TERMINAL (-)		1	*		
012-1	654169-8	SPRING TERMINAL (-)	<	1			
013	251451-2	- PAN HEAD SCREW M5X22		1			
014	763132-1	KEYLESS DRILL CHUCK 10		1			
015	125087-2	GEAR ASS'Y		1			
C10	416586-8	CHANGE LEVER		1			
016	629750-4	DC MOTOR		1	*		
C10	226359-9	SPUR GEAR 14		1	*		
016-1	629787-1	DC MOTOR	<	1			
C10	226359-9	SPUR GEAR 14		1			
017	911003-8	PAN HEAD SCREW M3X6		2			
018	689092-8	HEAT SINK		1			
019	819063-3	MAKITA LABEL		1			
020	183211-3	HOUSING SET		1			
D10		INC. 2					
A01	414938-7	BATTERY COVER		2			
A02	784636-0	+/- BIT 2-65		1			
A03	824489-6	PLASTIC CARRYING CASE		1	*		
C10	186347-7	SLIDE LATCH SET		1	*		
A03-1	824635-1	PLASTIC CARRYING CASE	X	1	*		
C10	186347-7	SLIDE LATCH SET		1	*		
C20	819143-5	MAKITA LABEL		1	*		
A03-2	824652-1	PLASTIC CARRYING CASE	<	1			
C10	186347-7	SLIDE LATCH SET		1			
C20	819143-5	MAKITA LABEL		1			
A04	192681-5	BATTERY 1220 SET		2			
A03A_	824581-8	PLASTIC CARRYING CASE		1			
C11	417059-4	LATCH		2			
A04A_	192698-8	BATTERY 1233 SET		2	*		
A04A_1	192698-8	BATTERY 1233 SET	O	2			
A04B_	193100-4	BATTERY 1234 SET		1	*		

A04B 1	193100-4	BATTERY 1234 SET	0	1			
A04	192597-4	BATTERY 1222 SET		2			

Please state Parts No. when your order.

Print Date 10/06/2023