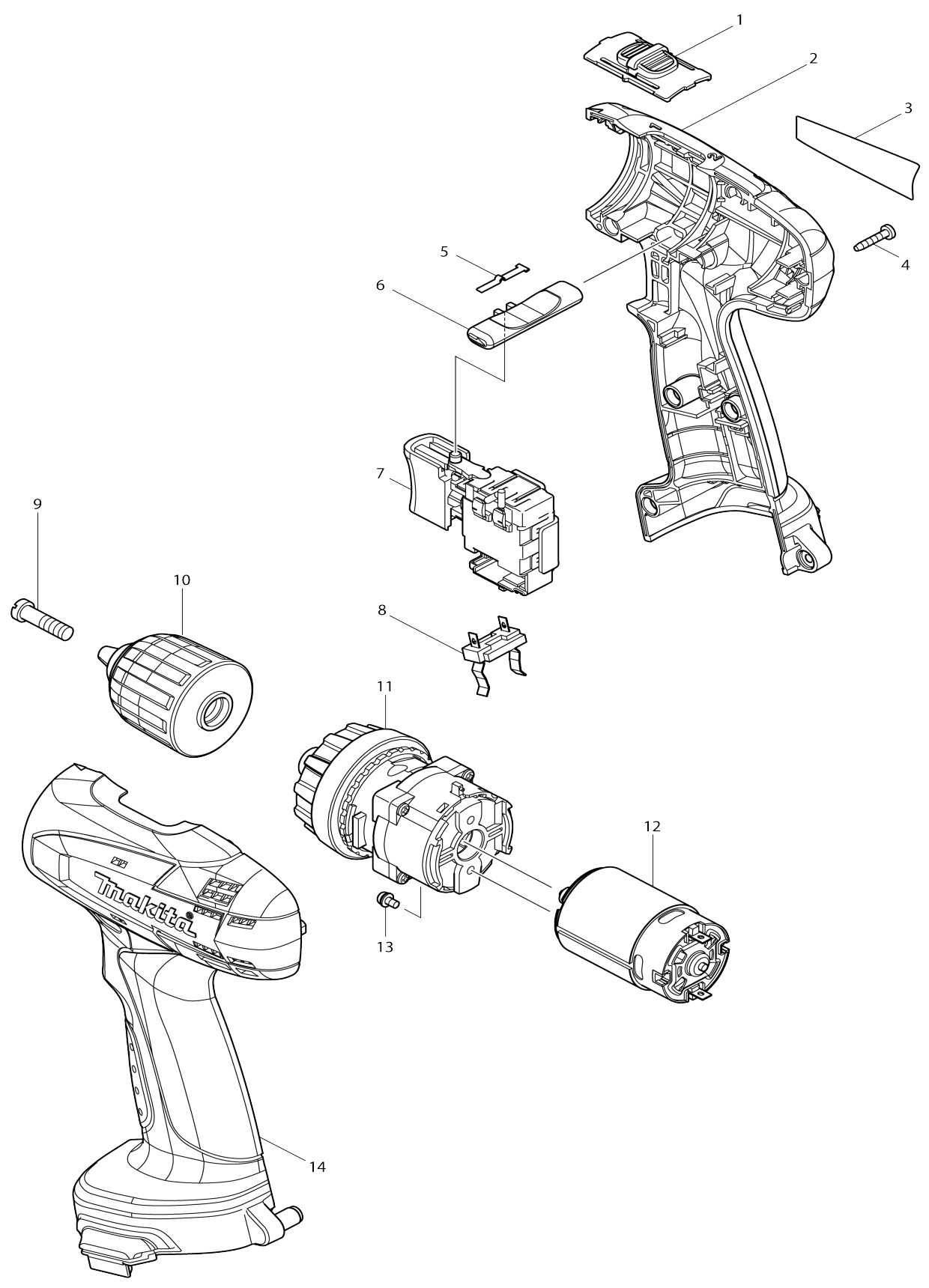


# Model No.6271D CORDLESS DRIVER DRILL 10MM



**Model No.6271D CORDLESS DRIVER DRILL 10MM**

Item No.	Parts No.	Description	Interchangability	Q'ty	New/Old	Note1	Note2
001	125310-5	SPEED CHANGE LEVER ASS'Y		1			
C10	231433-0	COMPRESSION SPRING 4		2			
002	188511-6	HOUSING SET		1	*		
D10		INC. 14					
002-1	187300-6	HOUSING SET	<	1			
D10		INC. 14					
003	865151-4	6271D NAME PLATE		1			
004	266130-9	TAPPING SCREW BIND PT 3X16		9			
005	232182-2	LEAF SPRING		1			
006	450584-2	F/R CHANGE LEVER		1			
007	650601-0	SWITCH TG563FSB-2		1	*		
007-1	650601-0	SWITCH TG563FSB-2	O	1	*		
007-2	650663-8	SWITCH TG563FSB-2	<	1	*		
007-3	650672-7	SWITCH TG563FSB-2	<	1	*		
007-4	650672-7	SWITCH TG563FSB-2	O	1			
008	643909-9	BATTERY HOLDER		1			
009	251468-5	- FLAT HEAD SCREW M6X22		1			
010	766002-3	KEYLESS DRILL CHUCK 10		1			
011	125482-6	GEAR ASS'Y		1			
012	629817-8	DC MOTOR		1			
013	911003-8	PAN HEAD SCREW M3X6		2			
014	188511-6	HOUSING SET		1	*		
D10		INC. 2					
014-1	187300-6	HOUSING SET	<	1			
D10		INC. 2					
A01	***DC1414	DC1414 BATTERY CHARGER		1			
A02	192597-4	BATTERY 1222 SET		2			
A03	414938-7	BATTERY COVER		2			
A04	784636-0	+ - BIT 2-65		1			
A05	824852-3	PLASTIC CARRYING CASE		1			
E02	688165-4	LINE FILTER		1			
E03	688164-6	LINE FILTER		1			
F02	196309-7	KEYLESS DRILL CHUCK 10 SET		1			
A02	193100-4	BATTERY 1234 SET		2	*		
A02-1	193100-4	BATTERY 1234 SET	O	2			
A05	824853-1	PLASTIC CARRYING CASE		1			
A06	345261-8	HOOK PLATE		2			
A07	417926-3	STRAP G0970200500		1			
A08	192749-7	ML120 RECHARGEABLE FLASHLIGHT		1	*		
D10		INC. A06,A07					
A02	193981-6	BATTERY PA12 SET		2			
A05	193994-7	TOOL CHEST		1			
A05	194445-3	TOOL CHEST		1			

Please state Parts No. when your order.

Print Date 10/06/2023