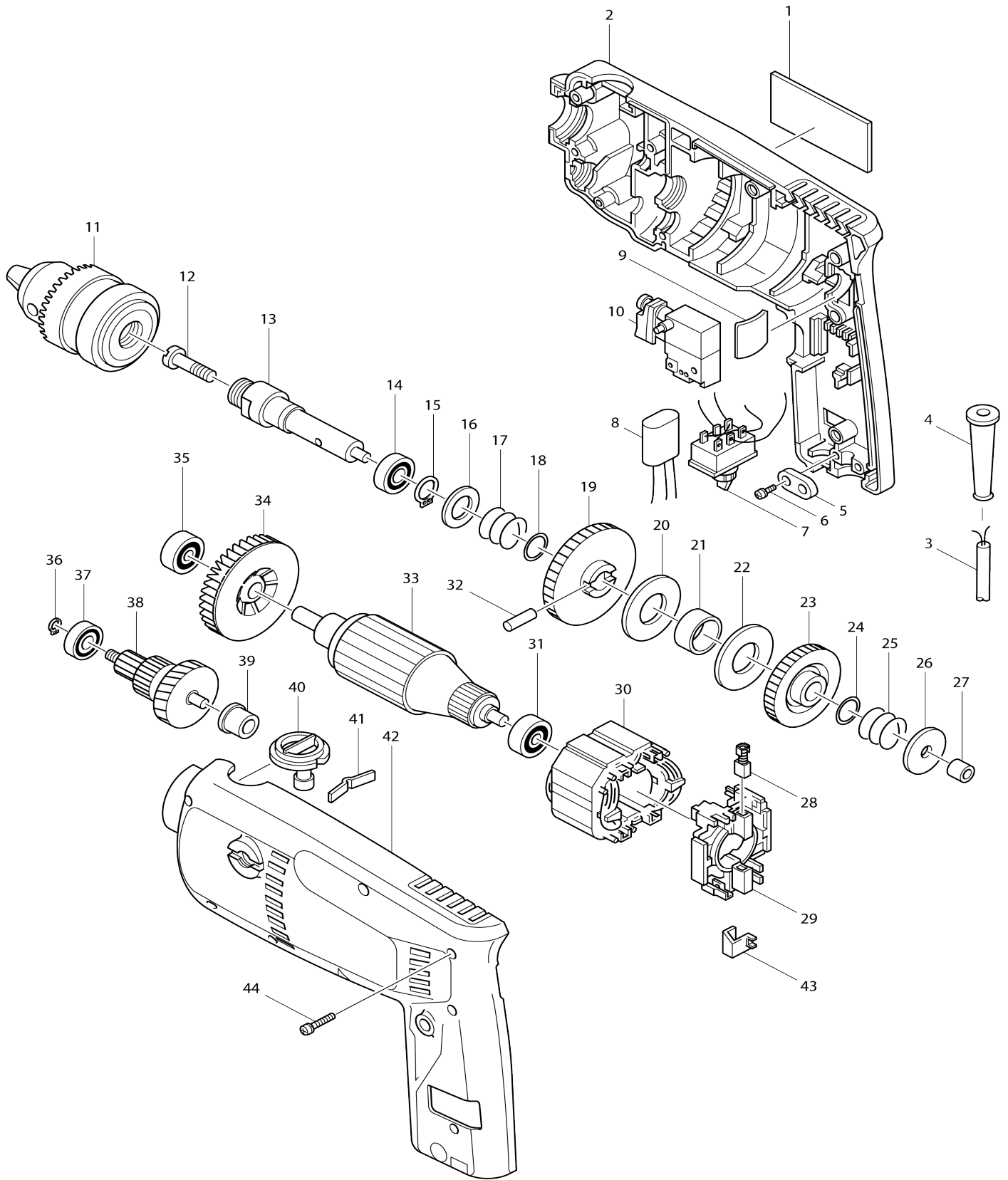


Model No.6310 2-SPEED DRILL 13MM



Model No.6310 2-SPEED DRILL 13MM

Item No.	Parts No.	Description	Interchangeability	Q'ty	New/Old	Note1	Note2
001	856175-1	NAME PLATE 6310		1			
002	182202-1	HOUSING SET		1	*		
C10	817609-9	CAUTION LABEL		1	*		
D10		INC. 42					
002-1	188102-3	HOUSING SET	S	1			
C10	817609-9	CAUTION LABEL		1			
D10		INC. 42					
003P_	665394-6	POWER SUPPLY CORD 1.0-2-2.5		1			
004A_	682502-4	CORD GUARD 8-85		1			
005D_	687031-2	STRAIN RELIEF		1			
006	911133-5	PAN HEAD SCREW M4X18		2			
007-1	651478-6	SWITCH VTX11		1			
008B_	645173-8	NOISE SUPPRESSOR		1			
009	232104-2	LEAF SPRING		1			
010A_	651247-5	SWITCH 11-12		1	*		
010A1	651256-4	SWITCH SGEL106CV-1A	O	1	*		
010A2	650226-0	SWITCH TG823AB-2	S	1			
011B2	192892-2	KEYLESS DRILL CHUCK		1			
012	251425-3	- FLAT HEAD SCREW M6X22		1			
013	322212-8	SPINDLE		1			
014	211201-7	BALL BEARING 6002LLB		1			
015	961055-9	RETAINING RING S-15		1			
016	253781-7	FLAT WASHER 15		1			
017	231458-4	COMPRESSION SPRING 18		1			
018	253343-1	THIN WASHER 18		1			
019	221983-3	SPUR GEAR 53		1			
020	253342-3	THIN WASHER 18		1			
021	257155-4	RING 18		1			
022	253342-3	THIN WASHER 18		1			
023	221982-5	SPUR GEAR 42		1			
024	253343-1	THIN WASHER 18		1			
025	231458-4	COMPRESSION SPRING 18		1			
026	253196-8	FLAT WASHER 6		1			
027	214004-8	PLANE BEARING 6		1			
028B_	191962-4	CARBON BRUSH CB-419		1	*		
028B1	195015-1	CARBON BRUSH SET CB-419	O	1			
029A_	632083-8	TERMINAL BASE COMPLETE 55B		1			
030C_	633043-3	FIELD 220V		1			
031-1	210008-8	BALL BEARING 627LLB		1	*		
031-2	210025-8	BALL BEARING 627LLB	O	1			
032	256188-6	PIN 5		1			
033C1	511723-0	ARMATURE ASS'Y 220V		1			
D10		INC. 31,34,35					
034	241844-1	FAN 52		1			
035-1	210008-8	BALL BEARING 627LLB		1	*		
035-2	210025-8	BALL BEARING 627LLB	O	1			
036	961002-0	RETAINING RING S-6		1			

037	211016-2	BALL BEARING 626LLB		1		
038	226090-7	GEAR COMPLETE 9-20-45		1		
039	152329-1	NEEDLE BEARING 609 COMPLETE		1		
040	414223-8	SHIFTER		1		
041	232101-8	LEAF SPRING		1		
042	182202-1	HOUSING SET		1	*	
C10	817609-9	CAUTION LABEL		1	*	
D10		INC. 2				
042-1	188102-3	HOUSING SET	S	1		
C10	817609-9	CAUTION LABEL		1		
D10		INC. 2				
043	686016-5	TERMINAL CAP		1		
044	911153-9	PAN HEAD SCREW M4X28		9		
400A_	152491-2	GRIP 36 COMPLETE		1	*	
400A1	151966-8	GRIP 36 COMPLETE	X	1		
401	251851-6	SCREW M5X7		1		
402	286226-0	CAP 20		1		
403	122395-2	DEPTH GAUGE ASS'Y		1		
C10	322223-3	DEPTH ROD		1		
D10		INC. 401,402,404				
404	164549-5	STOPPER HOLDER		1		

Please state Parts No. when your order.

Print Date 10/25/2023