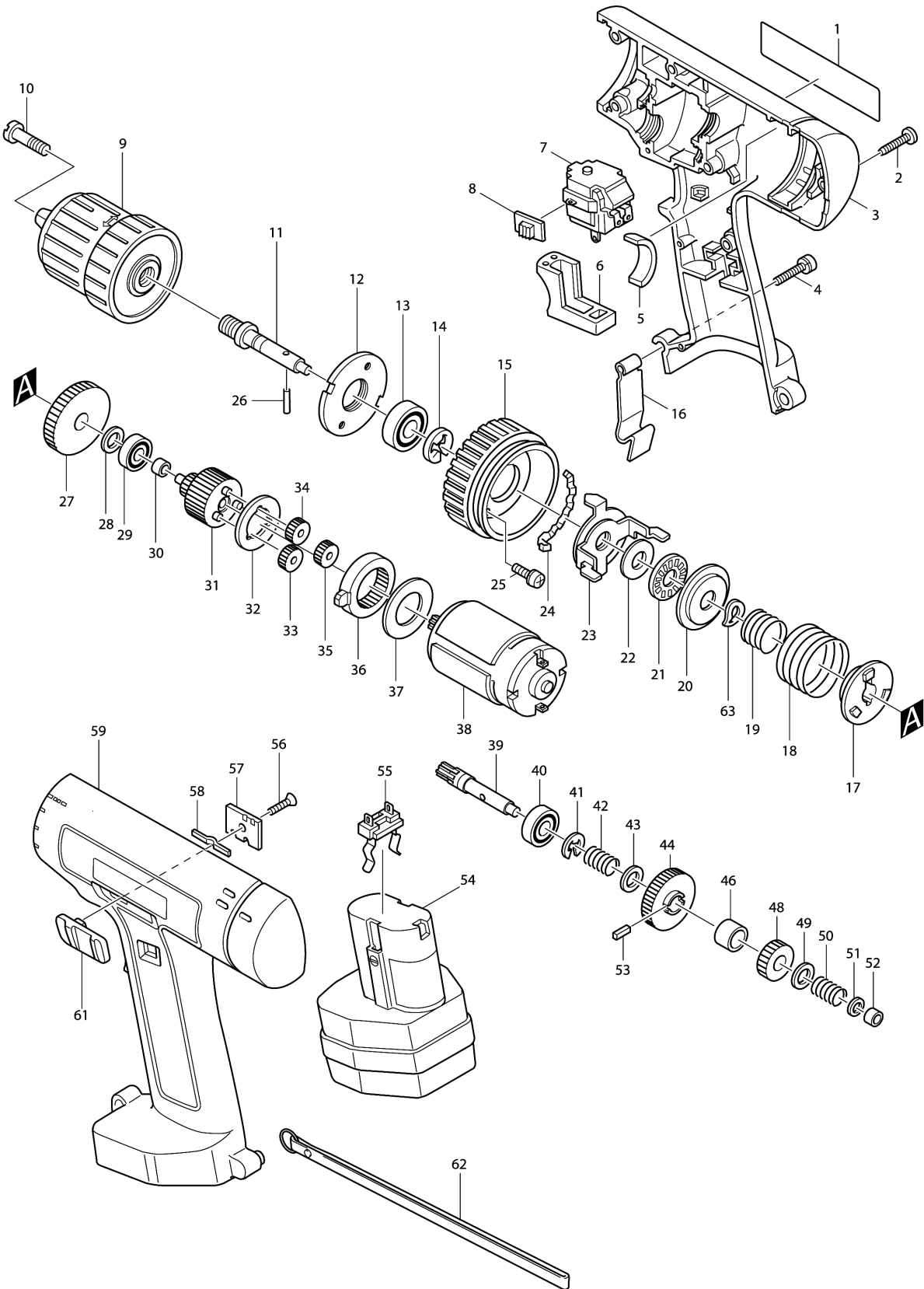


# Model No.6311D CORDLESS DRIVER DRILL



Model No.6311D CORDLESS DRIVER DRILL

| Item  | Parts No. | Description              | I/C | Qty | New/Old | Opt. 1 | Opt. 2 | Note |
|-------|-----------|--------------------------|-----|-----|---------|--------|--------|------|
| 001   | 857037-6  | NAME PLATE 6311D         |     | 1   |         |        |        |      |
| 002A1 | 265995-6  | TAPPING SCREW 4X18       |     | 7   |         |        |        |      |
| 003-2 | 182878-4  | HOUSING SET              |     | 1   |         |        |        |      |
| D10   |           | INC. 59-2                |     |     |         |        |        |      |
| 004   | 911143-2  | PAN HEAD SCREW M4X22     |     | 1   |         |        |        |      |
| 005   | 835244-1  | SPONGE 14-72             |     | 2   |         |        |        |      |
| 006-1 | 415671-4  | SWITCH LEVER             |     | 1   |         |        |        |      |
| 007   | 651909-5  | SWITCH C3KE              |     | 1   | *       |        |        |      |
| 007-1 | 650500-6  | SWITCH                   | O   | 1   |         |        |        |      |
| 008   | 414740-8  | LEVER                    |     | 1   |         |        |        |      |
| 009-1 | 192284-5  | LOCKING KEYLESS CHUCK 13 |     | 1   |         |        |        |      |
| 010   | 251425-3  | - FLAT HEAD SCREW M6X22  |     | 1   |         |        |        |      |
| 011   | 322540-1  | SPINDLE                  |     | 1   |         |        |        |      |
| 012   | 285674-0  | BEARING RETAINER 17      |     | 1   |         |        |        |      |
| 013   | 211061-7  | BALL BEARING 6000LLB     |     | 1   |         |        |        |      |
| 014   | 961015-1  | STOP RING E-9            |     | 1   |         |        |        |      |
| 015   | 415013-2  | CHANGE RING              |     | 1   |         |        |        |      |
| 016   | 343579-1  | SET PLATE                |     | 1   |         |        |        |      |
| 017   | 223090-8  | CLUTCH CAM               |     | 1   |         |        |        |      |
| 018   | 233044-7  | COMPRESSION SPRING 27    |     | 1   |         |        |        |      |
| 019-1 | 233061-7  | COMPRESSION SPRING 22    |     | 1   |         |        |        |      |
| 020   | 267705-7  | WASHER 10                |     | 1   |         |        |        |      |
| 021   | 216401-4  | THRUST NEEDLE CAGE 1023  |     | 1   |         |        |        |      |
| 022   | 253180-3  | FLAT WASHER 10           |     | 1   |         |        |        |      |
| 023   | 165024-4  | SLIDER                   |     | 1   |         |        |        |      |
| 024   | 343976-1  | CAM PLATE                |     | 2   |         |        |        |      |
| 025   | 911118-1  | PAN HEAD SCREW M4X12     |     | 2   |         |        |        |      |
| 026   | 256054-7  | PIN 4                    |     | 1   |         |        |        |      |
| 027   | 226250-1  | SPUR GEAR 49             |     | 1   |         |        |        |      |
| 028   | 267100-1  | FLAT WASHER 6            |     | 1   |         |        |        |      |
| 029   | 211016-2  | BALL BEARING 626LLB      |     | 1   |         |        |        |      |
| 030   | 214019-5  | PLANE BEARING 4          |     | 1   |         |        |        |      |
| 031   | 153213-3  | GEAR COMPLETE            |     | 1   |         |        |        |      |
| 032   | 267098-2  | FLAT WASHER 16           |     | 1   |         |        |        |      |
| 033   | 226245-4  | SPUR GEAR 15             |     | 1   |         |        |        |      |
| 034   | 226245-4  | SPUR GEAR 15             |     | 1   |         |        |        |      |
| 035   | 226245-4  | SPUR GEAR 15             |     | 1   |         |        |        |      |
| 036   | 226248-8  | INTERNAL GEAR 48         |     | 1   |         |        |        |      |
| 037   | 253794-8  | FLAT WASHER 18           |     | 1   |         |        |        |      |
| 038   | 629636-2  | DC MOTOR 12V             |     | 1   |         |        |        |      |
| C10   | 221882-9  | SPUR GEAR 15             |     | 1   |         |        |        |      |
| 039   | 226253-5  | SPUR GEAR 8              |     | 1   |         |        |        |      |
| 040   | 211031-6  | BALL BEARING 608LLB      |     | 1   |         |        |        |      |
| 041   | 961013-5  | STOP RING E-7            |     | 1   |         |        |        |      |
| 042   | 233041-3  | COMPRESSION SPRING 8     |     | 1   |         |        |        |      |

Please order the parts with part number.

Print Date 6/10/2023

Model No.6311D CORDLESS DRIVER DRILL

| Item  | Parts No. | Description                      | I/C | Qty | New/Old | Opt. 1 | Opt. 2 | Note |
|-------|-----------|----------------------------------|-----|-----|---------|--------|--------|------|
| 043-1 | 253339-2  | THIN WASHER 8                    |     | 1   |         |        |        |      |
| 044-1 | 226292-5  | SPUR GEAR 40                     |     | 1   |         |        |        |      |
| 045   | 253346-5  | THIN WASHER                      |     | 1   | *       |        |        |      |
| 046-1 | 257178-2  | RING 12                          |     | 1   |         |        |        |      |
| 047   | 253346-5  | THIN WASHER                      |     | 1   | *       |        |        |      |
| 048-1 | 226261-6  | SPUR GEAR 25                     |     | 1   |         |        |        |      |
| 049-1 | 253339-2  | THIN WASHER 8                    |     | 1   |         |        |        |      |
| 050   | 233041-3  | COMPRESSION SPRING 8             |     | 1   |         |        |        |      |
| 051   | 267099-0  | FLAT WASHER 4                    |     | 1   |         |        |        |      |
| 052   | 214019-5  | PLANE BEARING 4                  |     | 1   |         |        |        |      |
| 053   | 254236-5  | KEY 3                            |     | 1   |         |        |        |      |
| 054-1 | 192536-4  | BATTERY 1202 SET                 |     | 1   |         |        |        |      |
| 055   | 643909-9  | BATTERY HOLDER                   |     | 1   |         |        |        |      |
| 056   | 265007-5  | +COUNTERSUNK HEAD<br>SCREW M4X12 |     | 1   |         |        |        |      |
| 057-1 | 343987-6  | STOPPER                          |     | 1   |         |        |        |      |
| 058   | 232053-3  | LEAF SPRING                      |     | 1   |         |        |        |      |
| 059-2 | 182878-4  | HOUSING SET                      |     | 1   |         |        |        |      |
| D10   |           | INC. 3-2                         |     |     |         |        |        |      |
| 060   | 818057-5  | LABEL                            |     | 1   | *       |        |        |      |
| 061   | 415014-0  | LEVER                            |     | 1   |         |        |        |      |
| 062   | 163319-9  | HAND STRAP                       |     | 1   | *       |        |        |      |
| 063   | 253932-2  | WAVE WASHER 10                   |     | 1   |         |        |        |      |
| A01   | 343951-7  | HOOK                             |     | 1   |         |        |        |      |
| A02   | 182524-9  | PLASTIC CARRYING CASE            |     | 1   | *       |        |        |      |
| A02-1 | 824428-6  | PLASTIC CARRYING CASE            |     | 1   |         |        |        |      |
| C10   | 182935-8  | SLIDE LATCH (R.L) SET            |     | 1   |         |        |        |      |
| A03   | 784203-1  | PHILLIPS BIT 2-65                |     | 1   | *       |        |        |      |
| A03-1 | 784203-1  | PHILLIPS BIT 2-65                | O   | 1   | *       |        |        |      |
| A03-2 | 784203-1  | PHILLIPS BIT 2-65                | O   | 1   |         |        |        |      |
| A04   | 911101-8  | PAN HEAD SCREW M4X6              |     | 1   |         |        |        |      |
| A05   | 414938-7  | BATTERY COVER                    |     | 1   |         |        |        |      |

Please order the parts with part number.

Print Date 6/10/2023