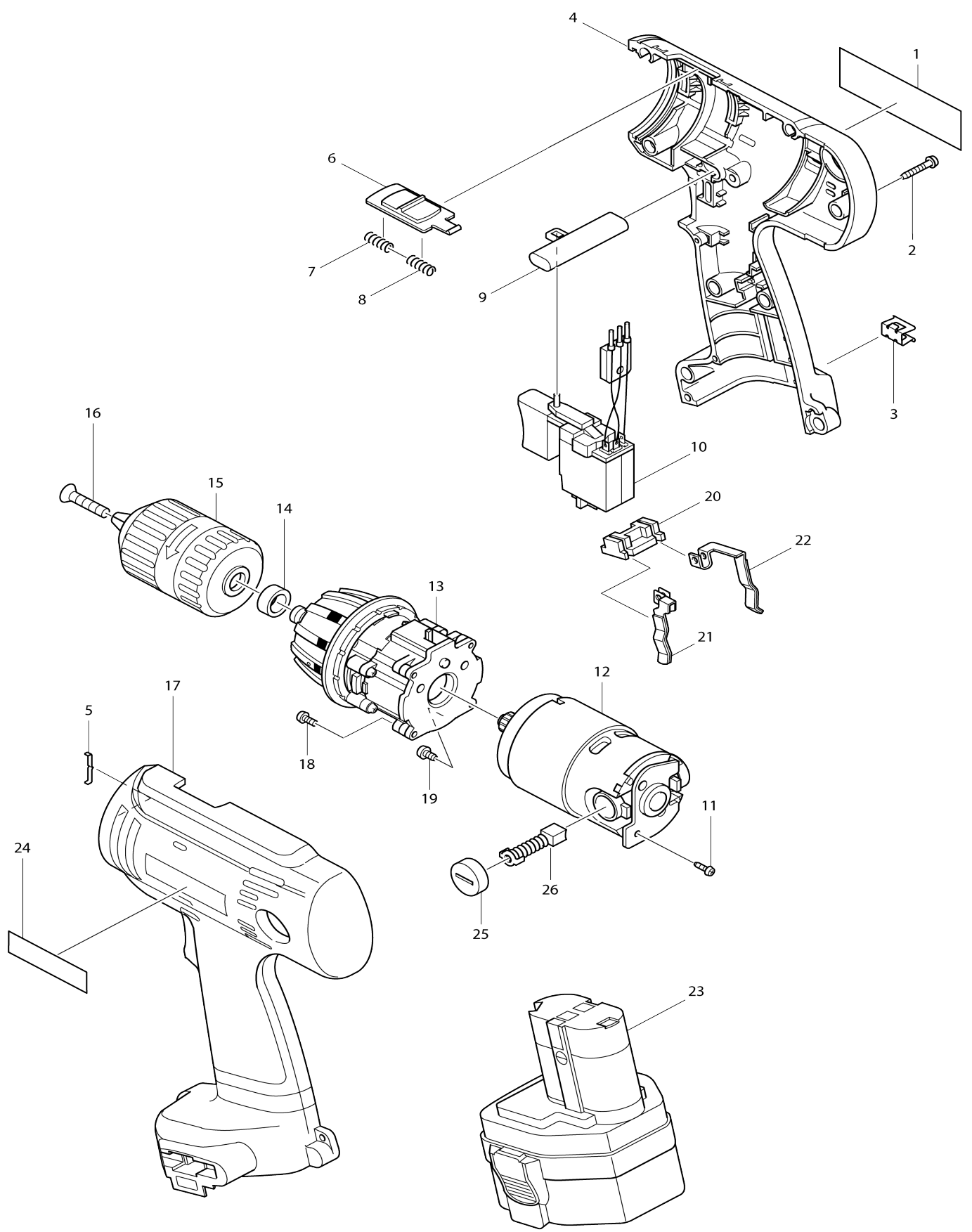


Model No.6313D CORDLESS DRIVER DRILL



Model No.6313D CORDLESS DRIVER DRILL

Item No.	Parts No.	Description	Interchangeability	Q'ty	New/Old	Note1	Note2
001	858697-7	NAME PLATE 6313D		1			
002	266130-9	TAPPING SCREW BIND PT 3X16		9			
003	344391-2	BIT HOLDER		2			
004	182830-2	HOUSING SET		1			
D10		INC. 17					
005	232159-7	LEAF SPRING		1			
006	416058-3	CHANGE LEVER		1			
007	231433-0	COMPRESSION SPRING 4		1			
008	231433-0	COMPRESSION SPRING 4		1			
009	416079-5	F/R CHANGE LEVER		1			
010	651939-6	SWITCH C3LA-1A		1	*		
010-1	651939-6	SWITCH C3LA-1A	O	1			
011	911006-2	PAN HEAD SCREW M3X8		1			
012	629698-0	DC MOTOR		1			
C10	226304-4	SPUR GEAR 17		1			
D10		INC. 25,26					
013	125043-2	GEAR ASS'Y		1			
C10	416240-4	CHANGE LEVER		1	*		
C11	417078-0	CHANGE LEVER	X	1			
C20	416055-9	GEAR CASE A		1	*		
014	257671-6	SLEEVE 10		1			
015-1	192891-4	KEYLESS DRILL CHUCK		1	*		
015-2	193695-7	KEYLESS DRILL CHUCK	S	1	*		
015-3	192891-4	KEYLESS DRILL CHUCK	S	1	*		
015-4	192891-4	KEYLESS DRILL CHUCK	O	1			
016	266154-5	HEX. SOCKET HEAD BOLT M5X32		1	*		
016-1	265998-0	HEX.SOCKET HEAD BOLT M5X21	S	1	*		
016-2	266154-5	HEX. SOCKET HEAD BOLT M5X32	S	1	*		
016-3	265998-0	HEX.SOCKET HEAD BOLT M5X21	O	1			
017	182830-2	HOUSING SET		1			
D10		INC. 4					
018	911017-7	PAN HEAD SCREW M3X12		4			
019	266134-1	TAPPING SCREW ST 4X8		3			
020	687085-9	HOLDER		1			
021	654169-8	SPRING TERMINAL (-)		1	*		
021-1	654169-8	SPRING TERMINAL (-)	<	1			
022	654168-0	SPRING TERMINAL (+)		1	*		
022-1	654168-0	SPRING TERMINAL (+)	<	1			
023A_	192597-4	BATTERY 1222 SET		1			
024	819063-3	MAKITA LABEL		1			
025	643929-3	BRUSH HOLDER CAP		2			
026	191964-0	CARBON BRUSH CB-420		1	*		
026-1	191971-3	CARBON BRUSH CB-430	X	1			
027	253330-0	THIN WASHER 10		1			
028	253354-6	THIN WASHER		1	*		
A01	414938-7	BATTERY COVER		1			
A02	784637-8	+ - BIT 2-45		2			

A03	824476-5	PLASTIC CARRYING CASE		1			
C10	416661-0	LATCH		2			
E01	414938-7	BATTERY COVER		1			
E02A_	192597-4	BATTERY 1222 SET		1			
O23B_	192698-8	BATTERY 1233 SET		1	*		
O23B1	192698-8	BATTERY 1233 SET	O	1			
E02B_	192698-8	BATTERY 1233 SET		1	*		
E02B1	192698-8	BATTERY 1233 SET	O	1			
O23D_	193100-4	BATTERY 1234 SET		1	*		
O23D 1	193100-4	BATTERY 1234 SET	O	1			
E02D_	193100-4	BATTERY 1234 SET		1	*		
E02D 1	193100-4	BATTERY 1234 SET	O	1			

Please state Parts No. when your order.

Print Date 10/06/2023