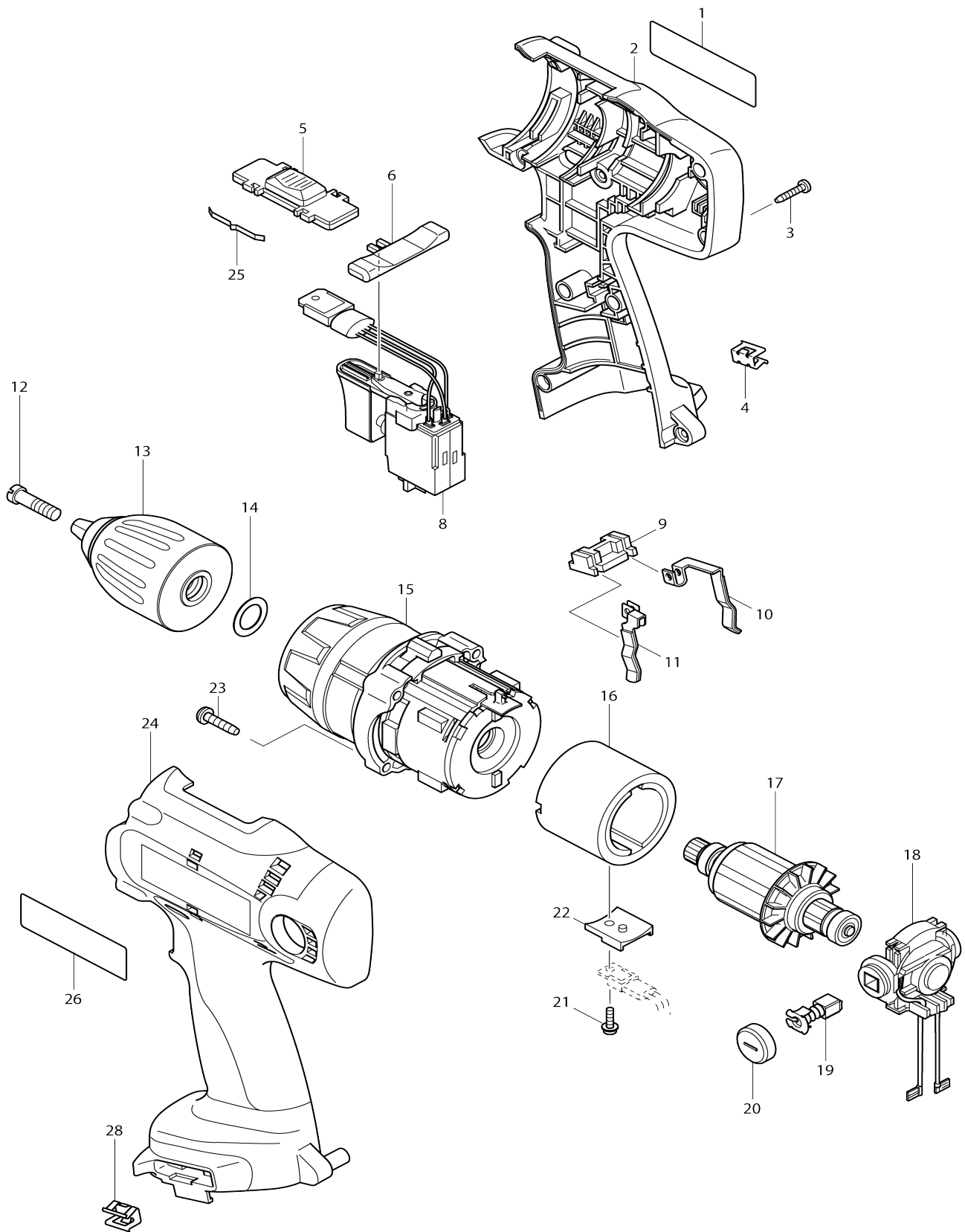


# Model No.6319D CORDLESS DRIVER DRILL 13MM



Model No.6319D CORDLESS DRIVER DRILL 13MM

Item No.	Parts No.	Description	Interchangeability	Q'ty	New/Old	Note1	Note2
001	860953-3	NAME PLATE 6319D		1			
002	183873-7	HOUSING SET		1	*		
D10		INC. 24,26					
002-1	183844-4	HOUSING SET	<	1			
D10		INC. 24					
003	266130-9	TAPPING SCREW BIND PT 3X16		9			
004	344391-2	BIT HOLDER		1			
005	125261-2	SPEED CHANGE LEVER ASS'Y		1	*		
005-1	125316-3	SPEED CHANGE LEVER ASS'Y	<	1	*		
005-2	125435-5	SPEED CHANGE LEVER ASS'Y	<	1			
006	418753-1	F/R CHANGE LEVER		1			
008	650559-3	SWITCH C3LA-2A-ED		1			
009	687085-9	HOLDER		1			
010	654168-0	SPRING TERMINAL (+)		1			
011	654169-8	SPRING TERMINAL (-)		1			
012	251464-3	- FLAT HEAD SCREW M6X22		1			
013	763188-4	KEYLESS DRILL CHUCK 13		1	*		
013-1	763199-9	KEYLESS DRILL CHUCK 13	<	1			
014	253798-0	FLAT WASHER 13		1			
015	125262-0	GEAR ASS'Y		1	*		
C10	418763-8	SPEED CHANGE RING		1	*		
C20	268088-8	PIN 1.2		2	*		
015-1	125338-3	GEAR ASS'Y	<	1	*		
C10	419558-2	SPEED CHANGE RING		1	*		
C20	268088-8	PIN 1.2		2	*		
C30	419557-4	CHANGE LEVER		1	*		
015-2	125431-3	GEAR ASS'Y	S	1			
C10	419558-2	SPEED CHANGE RING		1			
C20	268199-9	PIN 1.4		2			
C30	450385-8	CHANGE LEVER		1			
016	638376-1	YOKE UNIT		1	*		
016-1	638627-2	YOKE UNIT	O	1			
017	629827-5	ARMATURE		1			
018	638375-3	ENDBELL COMPLETE		1	*		
018-1	638916-5	ENDBELL COMPLETE	<	1			
019	191971-3	CARBON BRUSH CB-430		1			
020	643929-3	BRUSH HOLDER CAP		2			
021	266282-6	TAPPING SCREW ST3X10		1			
022	689136-4	FET SPACER		1			
023	266045-0	TAPPING SCREW 4X20		4			
024	183873-7	HOUSING SET		1	*		
D10		INC. 2,26					
024-1	183844-4	HOUSING SET	<	1			
D10		INC. 2					
025	232220-0	LEAF SPRING		1	*		
025-1	232220-0	LEAF SPRING	O	2			
026	819001-5	MAKITA LABEL		1	*		

028	344391-2	BIT HOLDER		1		
A01	122712-6	GRIP ASS'Y		1	*	
C10	152624-9	GRIP 36 COMPLETE		1	*	
C20	266349-0	SQUARE BOLT M8X50		1	*	
C30	345463-6	GRIP SPRING 60		1	*	
C40	418768-8	GRIP BASE		1	*	
A01-1	122712-6	GRIP ASS'Y	O	1	*	
C10	152624-9	GRIP 36 COMPLETE		1	*	
C20	266349-0	SQUARE BOLT M8X50		1	*	
C30	345463-6	GRIP SPRING 60		1	*	
C40	418768-8	GRIP BASE		1	*	
A01-2	122712-6	GRIP ASS'Y	<	1		
C10	152624-9	GRIP 36 COMPLETE		1		
C20	266349-0	SQUARE BOLT M8X50		1		
C30	345463-6	GRIP SPRING 60		1		
C40	418768-8	GRIP BASE		1		
A02	414938-7	BATTERY COVER		2		
A03	***DC1414	DC1414 BATTERY CHARGER		1		
A04	193059-5	BATTERY 1235 SET		2	*	
A04-1	193059-5	BATTERY 1235 SET	O	2		
A05	784637-8	+ - BIT 2-45		2		
A06	824626-2	PLASTIC CARRYING CASE		1		
C10	419655-4	LATCH		2		
A04	192597-4	BATTERY 1222 SET		2		

Please state Parts No. when your order.

Print Date 10/09/2023