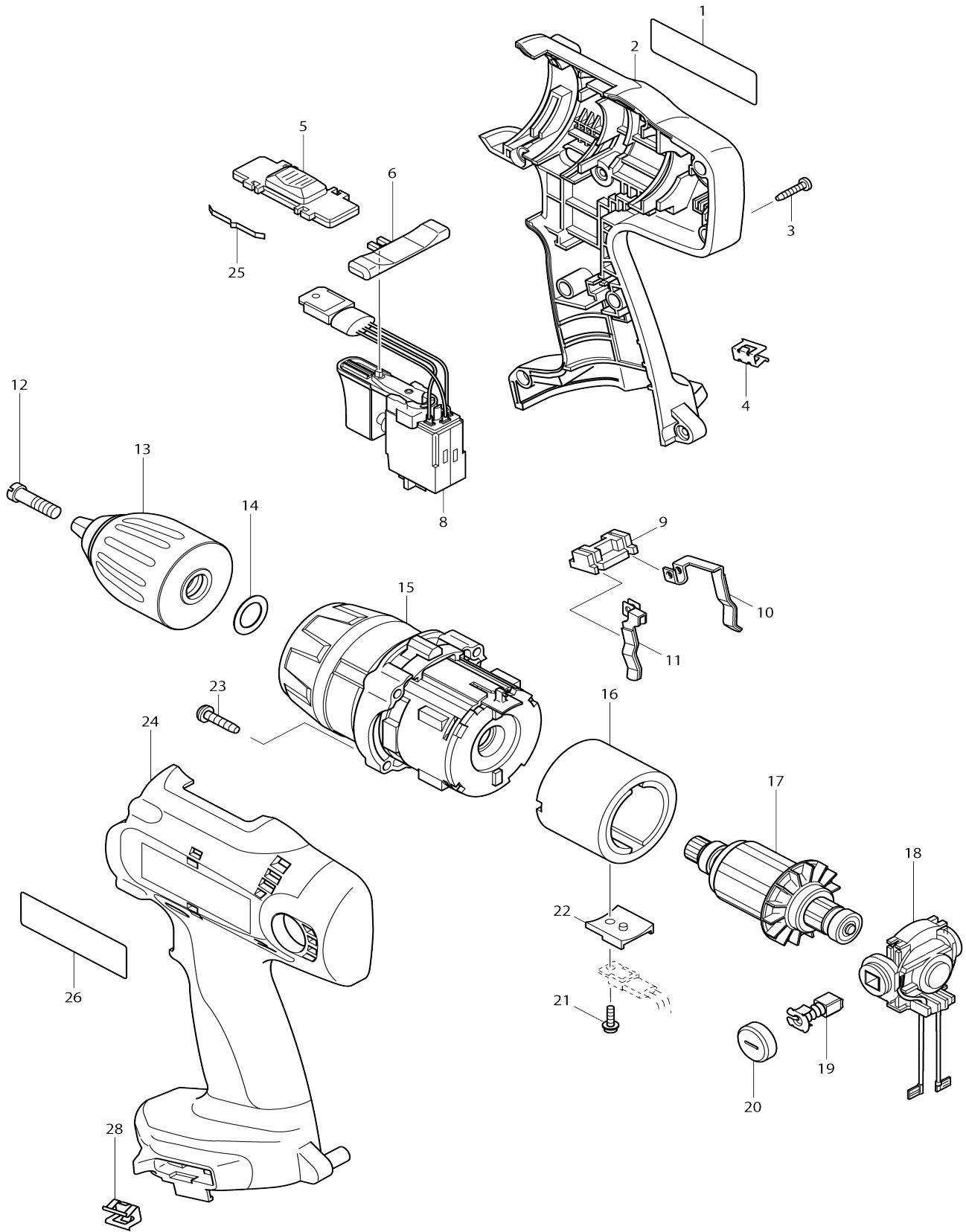


Model No.6339D CORDLESS DRIVER DRILL 13MM



Model No.6339D CORDLESS DRIVER DRILL 13MM

| Item No. | Parts No. | Description | Interchangeability | Q'ty | New/Old | Note1 | Note2 |
|----------|-----------|----------------------------|--------------------|------|---------|-------|-------|
| 001 | 860954-1 | NAME PLATE 6339D | | 1 | | | |
| 002 | 183871-1 | HOUSING SET | | 1 | * | | |
| D10 | | INC. 24,26 | | | | | |
| 002-1 | 183845-2 | HOUSING SET | < | 1 | | | |
| D10 | | INC. 24 | | | | | |
| 003 | 266130-9 | TAPPING SCREW BIND PT 3X16 | | 9 | | | |
| 004 | 344391-2 | BIT HOLDER | | 1 | | | |
| 005 | 125261-2 | SPEED CHANGE LEVER ASS'Y | | 1 | * | | |
| 005-1 | 125316-3 | SPEED CHANGE LEVER ASS'Y | < | 1 | * | | |
| 005-2 | 125435-5 | SPEED CHANGE LEVER ASS'Y | < | 1 | | | |
| 006 | 418753-1 | F/R CHANGE LEVER | | 1 | | | |
| 008 | 650559-3 | SWITCH C3LA-2A-ED | | 1 | | | |
| 009 | 687085-9 | HOLDER | | 1 | | | |
| 010 | 654168-0 | SPRING TERMINAL (+) | | 1 | | | |
| 011 | 654169-8 | SPRING TERMINAL (-) | | 1 | | | |
| 012 | 251464-3 | - FLAT HEAD SCREW M6X22 | | 1 | | | |
| 013 | 763188-4 | KEYLESS DRILL CHUCK 13 | | 1 | * | | |
| 013-1 | 763199-9 | KEYLESS DRILL CHUCK 13 | < | 1 | | | |
| 014 | 253798-0 | FLAT WASHER 13 | | 1 | | | |
| 015 | 125262-0 | GEAR ASS'Y | | 1 | * | | |
| C10 | 418763-8 | SPEED CHANGE RING | | 1 | * | | |
| C20 | 268088-8 | PIN 1.2 | | 2 | * | | |
| 015-1 | 125338-3 | GEAR ASS'Y | < | 1 | * | | |
| C10 | 419558-2 | SPEED CHANGE RING | | 1 | * | | |
| C20 | 268088-8 | PIN 1.2 | | 2 | * | | |
| C30 | 419557-4 | CHANGE LEVER | | 1 | * | | |
| 015-2 | 125431-3 | GEAR ASS'Y | S | 1 | | | |
| C10 | 419558-2 | SPEED CHANGE RING | | 1 | | | |
| C20 | 268199-9 | PIN 1.4 | | 2 | | | |
| C30 | 450385-8 | CHANGE LEVER | | 1 | | | |
| 016 | 638376-1 | YOKE UNIT | | 1 | * | | |
| 016-1 | 638627-2 | YOKE UNIT | O | 1 | | | |
| 017 | 629829-1 | ARMATURE | | 1 | | | |
| 018 | 638375-3 | ENDBELL COMPLETE | | 1 | * | | |
| 018-1 | 638916-5 | ENDBELL COMPLETE | < | 1 | | | |
| 019 | 191971-3 | CARBON BRUSH CB-430 | | 1 | | | |
| 020 | 643929-3 | BRUSH HOLDER CAP | | 2 | | | |
| 021 | 266282-6 | TAPPING SCREW ST3X10 | | 1 | | | |
| 022 | 689136-4 | FET SPACER | | 1 | | | |
| 023 | 266045-0 | TAPPING SCREW 4X20 | | 4 | | | |
| 024 | 183871-1 | HOUSING SET | | 1 | * | | |
| D10 | | INC. 2,26 | | | | | |
| 024-1 | 183845-2 | HOUSING SET | < | 1 | | | |
| D10 | | INC. 2 | | | | | |
| 025 | 232220-0 | LEAF SPRING | | 1 | * | | |
| 025-1 | 232220-0 | LEAF SPRING | O | 2 | | | |
| 026 | 819001-5 | MAKITA LABEL | | 1 | * | | |

| | | | | | | |
|-------|-----------|------------------------|---|---|---|--|
| 028 | 344391-2 | BIT HOLDER | | 1 | | |
| A01 | 122712-6 | GRIP ASS'Y | | 1 | * | |
| C10 | 152624-9 | GRIP 36 COMPLETE | | 1 | * | |
| C20 | 266349-0 | SQUARE BOLT M8X50 | | 1 | * | |
| C30 | 345463-6 | GRIP SPRING 60 | | 1 | * | |
| C40 | 418768-8 | GRIP BASE | | 1 | * | |
| A01-1 | 122712-6 | GRIP ASS'Y | O | 1 | * | |
| C10 | 152624-9 | GRIP 36 COMPLETE | | 1 | * | |
| C20 | 266349-0 | SQUARE BOLT M8X50 | | 1 | * | |
| C30 | 345463-6 | GRIP SPRING 60 | | 1 | * | |
| C40 | 418768-8 | GRIP BASE | | 1 | * | |
| A01-2 | 122712-6 | GRIP ASS'Y | < | 1 | | |
| C10 | 152624-9 | GRIP 36 COMPLETE | | 1 | | |
| C20 | 266349-0 | SQUARE BOLT M8X50 | | 1 | | |
| C30 | 345463-6 | GRIP SPRING 60 | | 1 | | |
| C40 | 418768-8 | GRIP BASE | | 1 | | |
| A02 | 414938-7 | BATTERY COVER | | 2 | | |
| A03 | ***DC1414 | DC1414 BATTERY CHARGER | | 1 | | |
| A04 | 193060-0 | BATTERY 1435 SET | | 2 | | |
| A05 | 784637-8 | + - BIT 2-45 | | 2 | | |
| A06 | 824626-2 | PLASTIC CARRYING CASE | | 1 | | |
| C10 | 419655-4 | LATCH | | 2 | | |

Please state Parts No. when your order.

Print Date 10/09/2023