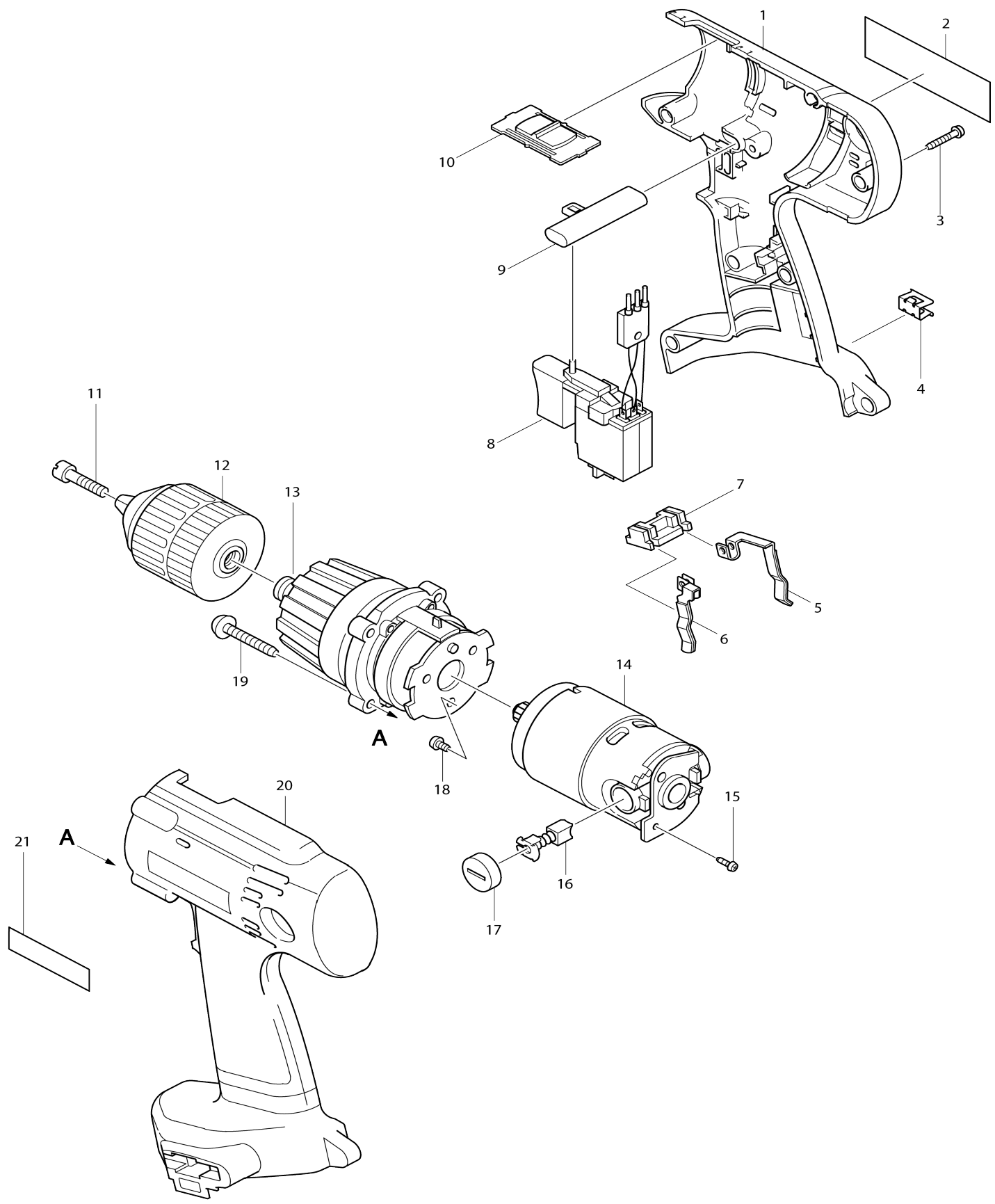


Model No.6343D CORDLESS DRIVER DRILL 13MM



Model No.6343D CORDLESS DRIVER DRILL 13MM

Item No.	Parts No.	Description	Interchangeability	Q'ty	New/Old	Note1	Note2
001	183032-3	HOUSING SET		1			
D10		INC. 20,21					
002	859863-9	NAME PLATE 6343D		1			
003	266130-9	TAPPING SCREW BIND PT 3X16		8			
004	344391-2	BIT HOLDER		2			
005	654168-0	SPRING TERMINAL (+)		1	*		
005-1	654168-0	SPRING TERMINAL (+)	<	1			
006	654169-8	SPRING TERMINAL (-)		1	*		
006-1	654169-8	SPRING TERMINAL (-)	<	1			
007	687085-9	HOLDER		1			
008	651968-9	SWITCH C3LA-2A		1	*		
008-1	651968-9	SWITCH C3LA-2A	O	1			
009	416079-5	F/R CHANGE LEVER		1			
010	125091-1	SPEED CHANGE LEVER ASS'Y		1			
011	251465-1	- FLAT HEAD SCREW M6X32		1			
012-1	192956-2	KEYLESS DRILL CHUCK		1			
013	125088-0	GEAR ASS'Y		1	*		
C10	416629-6	CHANGE LEVER		1	*		
013-1	125105-6	GEAR ASS'Y	X	1			
C10	417381-9	CHANGE LEVER		1			
C20	416630-1	CHANGE RING		1			
014	629729-5	DC MOTOR		1			
C10	226361-2	SPUR GEAR 20		1			
D10		INC. 16,17					
015	911006-2	PAN HEAD SCREW M3X8		1			
016	191971-3	CARBON BRUSH CB-430		1			
017-1	643954-4	BRUSH HOLDER CAP		2			
018	266134-1	TAPPING SCREW ST 4X8		3			
019	265999-8	TAPPING SCREW 4X25		4			
020	183032-3	HOUSING SET		1			
D10		INC. 1,21					
021	819063-3	MAKITA LABEL		1			
A01	122576-8	STOPPER POLE ASS'Y		1			
C10	286226-0	CAP 20		1			
C20	322223-3	DEPTH ROD		1			
A02	824525-8	PLASTIC CARRYING CASE		1			
C10	417075-6	LATCH		2			
A03	414938-7	BATTERY COVER		1			
A04	784637-8	+ - BIT 2-45		2			
A05	122575-0	GRIP ASS'Y		1			
C10	152521-9	GRIP 36 COMPLETE		1			
D10		INC. A06-A09					
A06	251812-6	SCREW M5X10		1			
A07	416680-6	GRIP BASE		1			
A08	921919-9	HEX. BOLT M8X110		1			
A09	931202-6	HEX. NUT M5		1			
A10	192827-3	BATTERY 1822 SET		1			

E01	414938-7	BATTERY COVER		1			
E02	192827-3	BATTERY 1822 SET		1			
A10	193061-8	BATTERY 1835 SET		1			
E04	193061-8	BATTERY 1835 SET		1			
A10	193102-0	BATTERY 1834 SET		1	*		
A10-1	193102-0	BATTERY 1834 SET	O	1			
E07	193102-0	BATTERY 1834 SET		1	*		
E07-1	193102-0	BATTERY 1834 SET	O	1			

Please state Parts No. when your order.

Print Date 10/09/2023