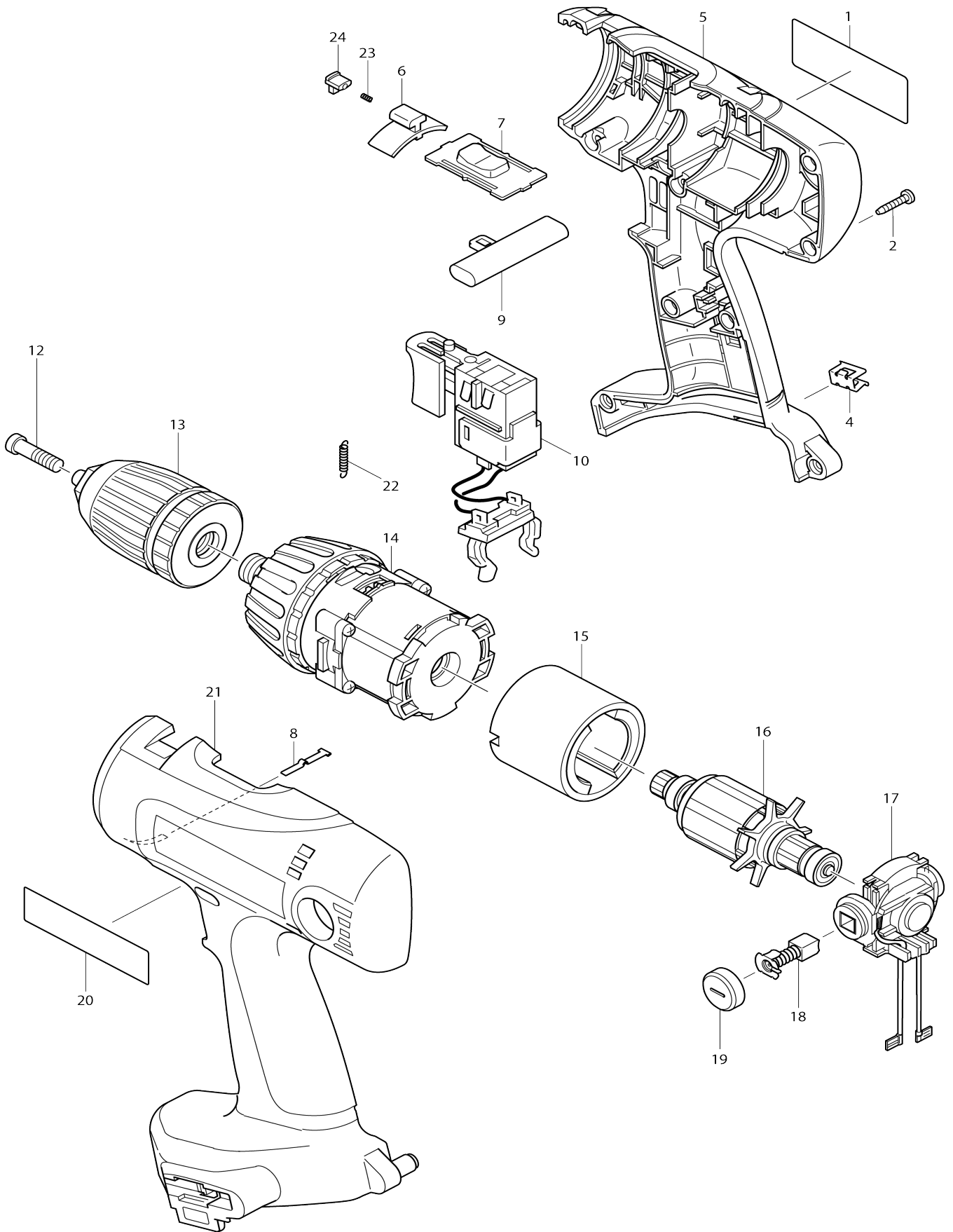


Model No.6347D CORDLESS DRIVER DRILL 13MM



Model No.6347D CORDLESS DRIVER DRILL 13MM

Item No.	Parts No.	Description	Interchangability	Q'ty	New/Old	Note1	Note2
001	853716-4	NAME PLATE 6347D		1	*		
001-1	853730-0	NAME PLATE 6347D	<	1	*		
001-2	853718-0	NAME PLATE 6347D	O	1	*		
001-3	867365-1	NAME PLATE 6347D	X	1			
002	266130-9	TAPPING SCREW BIND PT 3X16		10			
004	344391-2	BIT HOLDER		2			
005	183451-3	HOUSING SET		1	*		
D10		INC. 20,21					
005-1	188785-9	HOUSING SET	S	1			
D10		INC. 21					
006	417879-6	MODE CHANGE LEVER		1			
007	125102-2	SPEED CHANGE LEVER ASS'Y		1	*		
C10	231433-0	COMPRESSION SPRING 4		2	*		
007-1	125310-5	SPEED CHANGE LEVER ASS'Y	S	1			
C10	231433-0	COMPRESSION SPRING 4		2			
008	232182-2	LEAF SPRING		1			
009	417880-1	F/R CHANGE LEVER		1	*		
009-1	417880-1	F/R CHANGE LEVER	O	1			
010	638143-4	SWITCH UNIT		1			
C10	643918-8	BATTERY HOLDER		1			
C20	650528-4	SWITCH C3SA-MH		1	*		
012	251464-3	- FLAT HEAD SCREW M6X22		1			
013	763166-4	KEYLESS DRILL CHUCK 13		1	*		
013-1	193616-9	KEYLESS DRILL CHUCK 13 SET	O	1	*		
013-2	766010-4	KEYLESS DRILL CHUCK 13	<	1			
014	125160-8	GEAR ASS'Y		1	*		
014-1	125160-8	GEAR ASS'Y	O	1	*		
014-2	125238-7	GEAR ASS'Y	<	1	*		
014-3	125574-1	GEAR ASS'Y	<	1			
015	638138-7	YOKE UNIT		1			
016	619082-7	ARMATURE		1	*		
016-1	619118-2	ARMATURE	O	1			
017	638139-5	ENDBELL COMPLETE		1			
018	191971-3	CARBON BRUSH CB-430		1			
019	643954-4	BRUSH HOLDER CAP		2	*		
019-1	643807-7	BRUSH HOLDER CAP	O	2			
020	819064-1	MAKITA MARK		1	*		
021	183451-3	HOUSING SET		1	*		
D10		INC. 5,20					
021-1	188785-9	HOUSING SET	S	1			
D10		INC. 5					
022	231829-5	TENSION SPRING 2		1			
023	233353-4	COMPRESSION SPRING 2		1			
024	417966-1	LOCK LEVER		1	*		
024-1	418095-3	LOCK LEVER	O	1			
A01	414938-7	BATTERY COVER		2			
A02	784637-8	+ - BIT 2-45		1			

A03	824660-2	PLASTIC CARRYING CASE		1	*		
C10	324207-7	SHAFT		1	*		
C20	417723-7	HANDLE		1	*		
C30	417724-5	LATCH		2	*		
C40	819144-3	MAKITA LOGO LABEL		1	*		
A03-1	183763-4	PLASTIC CARRYING CASE	O	1			
C10	324207-7	SHAFT		1			
C20	417723-7	HANDLE		1			
C30	417724-5	LATCH		2			
C40	819144-3	MAKITA LOGO LABEL		1			
A04	***DC1803	DC1803 BATTERY CHARGER		1	*		
A04-1	***DC1804	DC1804 BATTERY CHARGER	O	1			
A05	193102-0	BATTERY 1834 SET		2	*		
A05-1	193102-0	BATTERY 1834 SET	O	2			
A09	819804-7	PLASTIC CASE LABEL		1			

Please state Parts No. when your order.

Print Date 10/09/2023