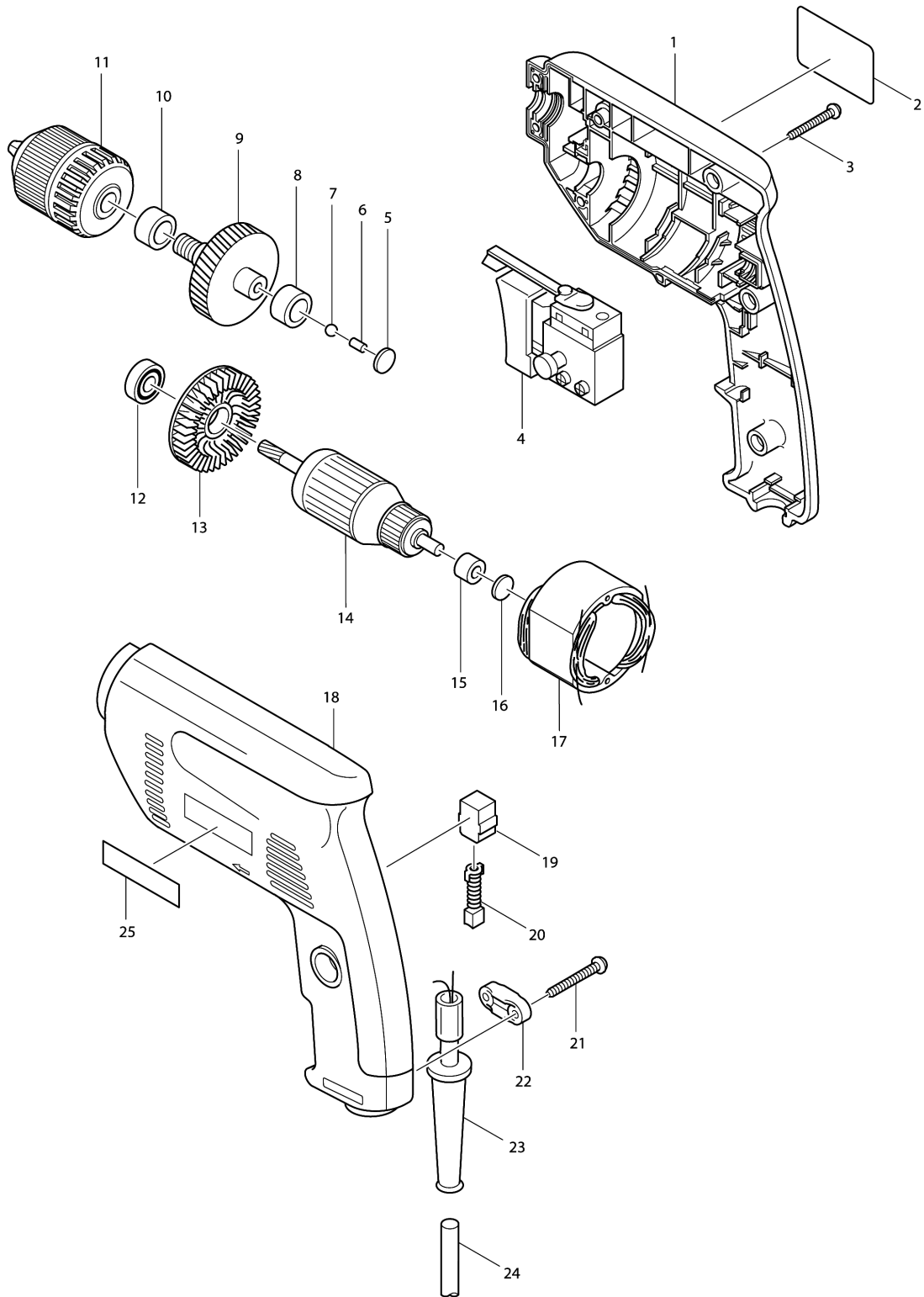


Model No.6410 DRILL 10MM



Model No.6410 DRILL 10MM

| Item  | Parts No. | Description                 | I/C | Qty | New/Old | Opt. 1 | Opt. 2 | Note |
|-------|-----------|-----------------------------|-----|-----|---------|--------|--------|------|
| 001   | 182904-9  | HOUSING SET                 |     | 1   |         |        |        |      |
| D10   |           | INC. 18,25                  |     |     |         |        |        |      |
| 002   | 858922-6  | NAME PLATE 6410             |     | 1   |         |        |        |      |
| 003   | 265995-6  | TAPPING SCREW 4X18          |     | 7   |         |        |        |      |
| 004   | 651952-4  | SWITCH 8653C721AD 200V-240V |     | 1   | *       |        |        |      |
| 004-1 | 651987-5  | SWITCH                      | X   | 1   | *       |        |        |      |
| 004-2 | 651987-5  | SWITCH                      | X   | 1   | *       |        |        |      |
| 004-3 | 651986-7  | SWITCH TG803TLB-1           | O   | 1   |         |        |        |      |
| 005   | 344418-8  | PLATE 12                    |     | 1   |         |        |        |      |
| 006   | 256251-5  | PIN 4                       |     | 1   |         |        |        |      |
| 007   | 216001-0  | STEEL BALL 3.5              |     | 1   |         |        |        |      |
| 008   | 214114-1  | PLANE BEARING 12            |     | 1   |         |        |        |      |
| 009   | 153245-0  | GEAR COMPLETE               |     | 1   | *       |        |        |      |
| 009-1 | 193050-3  | GEAR COMPLETE REPAIR SET    | X   | 1   |         |        |        |      |
| D10   |           | INC. 6,7                    |     |     |         |        |        |      |
| 010   | 214114-1  | PLANE BEARING 12            |     | 1   |         |        |        |      |
| 011   | 763119-3  | KEYLESS DRILL CHUCK 10      |     | 1   | *       |        |        |      |
| 011-1 | 192016-0  | KEYLESS DRILL CHUCK 10      | O   | 1   |         |        |        |      |
| 012   | 211033-2  | BALL BEARING 608LB          |     | 1   |         |        |        |      |
| 013   | 241881-5  | FAN 52                      |     | 1   |         |        |        |      |
| 014   | 517183-4  | ARMATURE ASS'Y 220V         |     | 1   |         |        |        |      |
| D10   |           | INC. 12,13                  |     |     |         |        |        |      |
| 015   | 214014-5  | PLANE BEARING 6             |     | 1   |         |        |        |      |
| 016   | 344418-8  | PLATE 12                    |     | 1   |         |        |        |      |
| 017   | 621658-8  | FIELD 220/240V              |     | 1   |         |        |        |      |
| 018   | 182904-9  | HOUSING SET                 |     | 1   |         |        |        |      |
| D10   |           | INC. 1,25                   |     |     |         |        |        |      |
| 019   | 643552-4  | BRUSH HOLDER 5-8            |     | 2   | *       |        |        |      |
| 019-1 | 643562-1  | BRUSH HOLDER 5X8            | O   | 2   | *       |        |        |      |
| 019-2 | 643552-4  | BRUSH HOLDER 5-8            | O   | 2   |         |        |        |      |
| 020   | 191627-8  | CARBON BRUSH CB-64          |     | 1   | *       |        |        |      |
| 020-1 | 194968-1  | CARBON BRUSH SET CB-64      | O   | 1   |         |        |        |      |
| 021   | 265995-6  | TAPPING SCREW 4X18          |     | 2   |         |        |        |      |
| 022   | 687052-4  | STRAIN RELIEF               |     | 1   | *       |        |        |      |
| 022-1 | 687124-5  | STRAIN RELIEF               | O   | 1   |         |        |        |      |
| 023   | 682502-4  | CORD GUARD 8-85             |     | 1   |         |        |        |      |
| 024K_ | 665394-6  | POWER SUPPLY CORD 1.0-2-2.5 |     | 1   |         |        |        |      |
| 025   | 819063-3  | MAKITA LABEL                |     | 1   |         |        |        |      |
| 026   | 213105-9  | O RING 11                   |     | 1   |         |        |        |      |
| 027   | 443103-1  | FELT RING 6                 |     | 1   |         |        |        |      |
| 028   | 261008-1  | FIBER WASHER 6              |     | 1   |         |        |        |      |
| E02   | 645253-0  | NOISE SUPPRESSOR            |     | 1   |         |        |        |      |
| E07   | 646047-6  | CHOKE COIL                  |     | 1   |         |        |        |      |
| E08   | 646048-4  | CHOKE COIL                  |     | 1   |         |        |        |      |

Please order the parts with part number.

Print Date 4/12/2023

Model No.6410 DRILL 10MM

| Item | Parts No. | Description    | I/C | Qty | New/Old | Opt. 1 | Opt. 2 | Note |
|------|-----------|----------------|-----|-----|---------|--------|--------|------|
| E09  | 654171-1  | EARTH TERMINAL |     | 1   |         |        |        |      |

Please order the parts with part number.

Print Date 4/12/2023