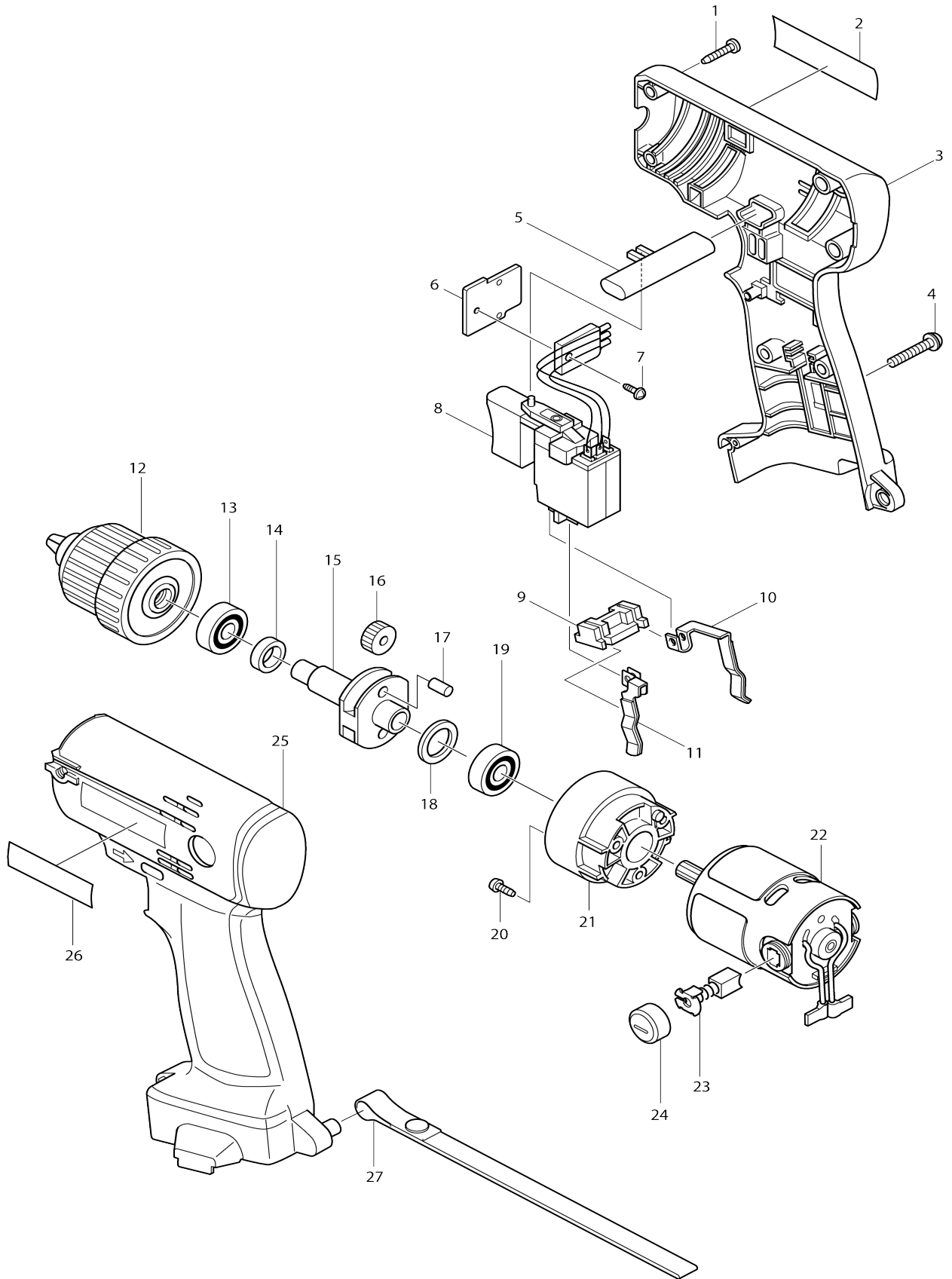


# Model No.6503D CORDLESS HIGH SPEED DRILL



**Model No.6503D CORDLESS HIGH SPEED DRILL**

| Item No. | Parts No. | Description           | Interchangability | Q'ty | New/Old | Note1 | Note2 |
|----------|-----------|-----------------------|-------------------|------|---------|-------|-------|
| 001      | 265995-6  | TAPPING SCREW 4X18    |                   | 7    |         |       |       |
| 002      | 852299-1  | NAME PLATE 6503D      |                   | 1    |         |       |       |
| 003      | 183246-4  | HOUSING SET           |                   | 1    |         |       |       |
| D10      |           | INC. 25               |                   |      |         |       |       |
| 004      | 911143-2  | PAN HEAD SCREW M4X22  |                   | 1    |         |       |       |
| 005      | 417283-9  | F/R CHANGE LEVER      |                   | 1    |         |       |       |
| 006      | 689098-6  | HEAT SINK             |                   | 1    |         |       |       |
| 007      | 911006-2  | PAN HEAD SCREW M3X8   |                   | 1    |         |       |       |
| 008      | 651993-0  | SWITCH                |                   | 1    | *       |       |       |
| 008-1    | 651993-0  | SWITCH                | O                 | 1    |         |       |       |
| 009      | 687085-9  | HOLDER                |                   | 1    |         |       |       |
| 010      | 654168-0  | SPRING TERMINAL (+)   |                   | 1    | *       |       |       |
| 010-1    | 654168-0  | SPRING TERMINAL (+)   | <                 | 1    |         |       |       |
| 011      | 654169-8  | SPRING TERMINAL (-)   |                   | 1    | *       |       |       |
| 011-1    | 654169-8  | SPRING TERMINAL (-)   | <                 | 1    |         |       |       |
| 012      | 193211-5  | KEYLESS DRILL CHUCK   |                   | 1    |         |       |       |
| 013      | 211101-1  | BALL BEARING 6001LLB  |                   | 1    |         |       |       |
| 014      | 262090-3  | RING 12               |                   | 1    |         |       |       |
| 015      | 324048-1  | SPINDLE               |                   | 1    |         |       |       |
| 016      | 226336-1  | SPUR GEAR 22          |                   | 2    | *       |       |       |
| 016-1    | 227362-3  | SPUR GEAR 22          | <                 | 2    |         |       |       |
| 017      | 256253-1  | PIN 5                 |                   | 2    |         |       |       |
| 018      | 253744-3  | FLAT WASHER 12        |                   | 1    |         |       |       |
| 019      | 211101-1  | BALL BEARING 6001LLB  |                   | 1    |         |       |       |
| 020      | 911013-5  | PAN HEAD SCREW M3X10  |                   | 3    |         |       |       |
| 021      | 417284-7  | INTERNAL GEAR CASE    |                   | 1    |         |       |       |
| 022      | 629757-0  | DC MOTOR              |                   | 1    |         |       |       |
| C10      | 226337-9  | SPUR GEAR 7           |                   | 1    |         |       |       |
| C20      | 654069-2  | RECEPTACLE            |                   | 2    |         |       |       |
| D10      |           | INC. 23,24            |                   |      |         |       |       |
| 023      | 191966-6  | CARBON BRUSH CB-424   |                   | 1    |         |       |       |
| 024      | 643933-2  | BRUSH HOLDER CAP      |                   | 2    |         |       |       |
| 025      | 183246-4  | HOUSING SET           |                   | 1    |         |       |       |
| D10      |           | INC. 3                |                   |      |         |       |       |
| 026      | 819063-3  | MAKITA LABEL          |                   | 1    |         |       |       |
| A01      | 265741-7  | THUMB SCREW M4X10     |                   | 1    |         |       |       |
| A02      | 286224-4  | CAP 12                |                   | 1    |         |       |       |
| A03      | 322177-4  | DEPTH ROD             |                   | 1    |         |       |       |
| A04      | 343525-4  | STOPPER POLE RETAINER |                   | 1    |         |       |       |
| A05      | 414938-7  | BATTERY COVER         |                   | 1    |         |       |       |
| A06D_    | 192595-8  | BATTERY 9122 SET      |                   | 1    |         |       |       |
| A07      | 824489-6  | PLASTIC CARRYING CASE |                   | 1    | *       |       |       |
| C10      | 186347-7  | SLIDE LATCH SET       |                   | 1    | *       |       |       |
| A07-1    | 824635-1  | PLASTIC CARRYING CASE | X                 | 1    |         |       |       |
| C10      | 186347-7  | SLIDE LATCH SET       |                   | 1    |         |       |       |
| C20      | 819143-5  | MAKITA LABEL          |                   | 1    |         |       |       |
| B02      | 193151-7  | DEPTH GAUGE SET       |                   | 1    |         |       |       |
|          |           |                       |                   |      |         |       |       |

|           |          |                  |   |   |   |  |  |
|-----------|----------|------------------|---|---|---|--|--|
| D10       |          | INC. A01-A04     |   |   |   |  |  |
| E01       | 414938-7 | BATTERY COVER    |   | 1 |   |  |  |
| E03       | 192595-8 | BATTERY 9122 SET |   | 1 |   |  |  |
| A06B_     | 193099-3 | BATTERY 9134 SET |   | 1 | * |  |  |
| A06B<br>1 | 193099-3 | BATTERY 9134 SET | O | 1 |   |  |  |
| E04       | 193099-3 | BATTERY 9134 SET |   | 1 | * |  |  |
| E04-1     | 193099-3 | BATTERY 9134 SET | O | 1 |   |  |  |

Please state Parts No. when your order.

Print Date 10/24/2023