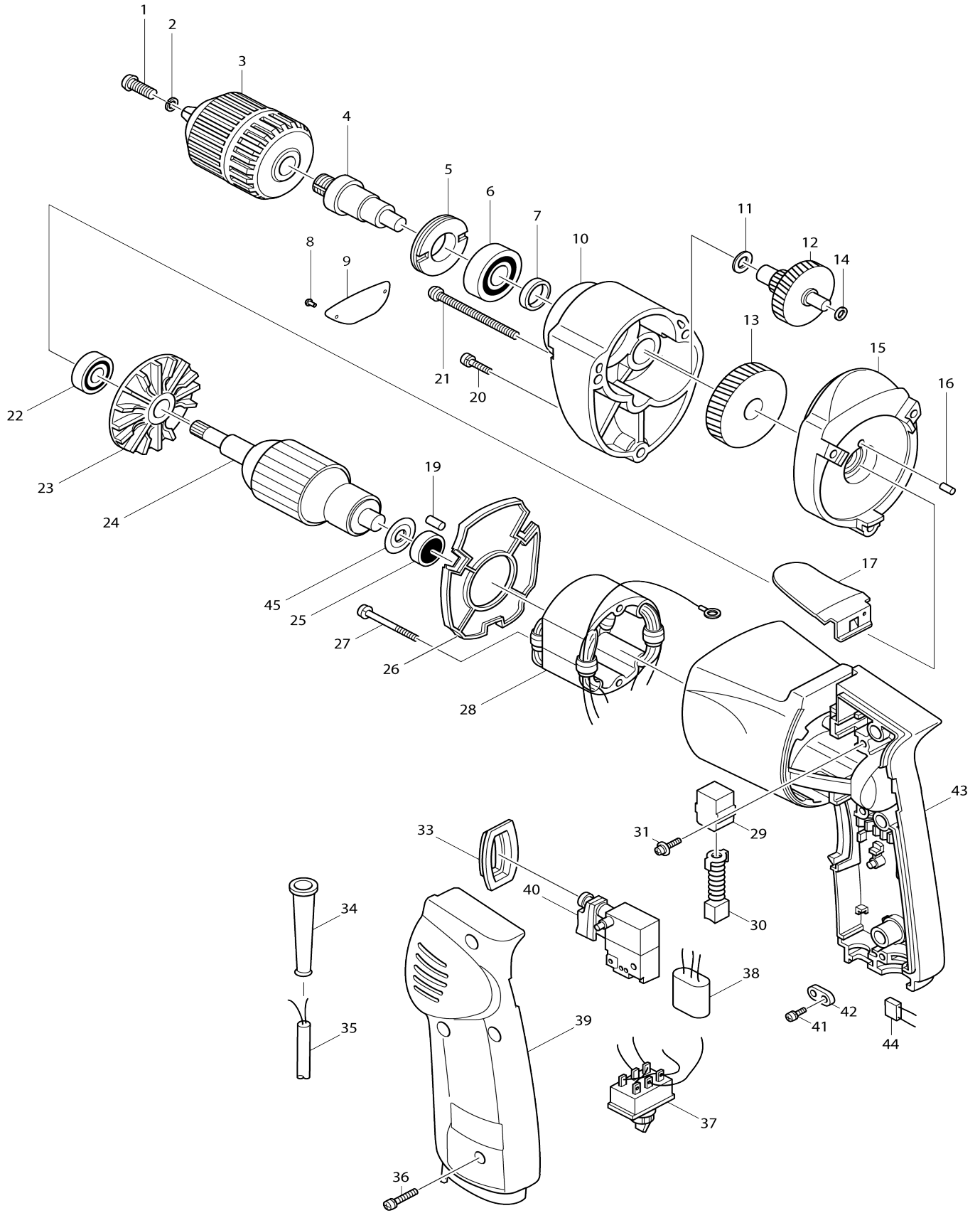


# Model No.6510LVR DRILL 10MM



Model No.6510LVR DRILL 10MM

| Item No. | Parts No. | Description                 | Interchangability | Q'ty | New/Old | Note1 | Note2 |
|----------|-----------|-----------------------------|-------------------|------|---------|-------|-------|
| 001-1    | 251448-1  | - PAN HEAD SCREW M5X18      |                   | 1    |         |       |       |
| 003-5    | 763132-1  | KEYLESS DRILL CHUCK 10      |                   | 1    |         |       |       |
| 004      | 323685-8  | SPINDLE                     |                   | 1    |         |       |       |
| 005      | 285804-3  | BEARING RETAINER 19-34      |                   | 1    |         |       |       |
| 006      | 211201-7  | BALL BEARING 6002LLB        |                   | 1    |         |       |       |
| 007      | 257053-2  | RING 15                     |                   | 1    |         |       |       |
| 009      | 815390-6  | NAME PLATE 6510LVR          |                   | 1    | *       |       |       |
| 009-1    | 869485-7  | NAME PLATE 6510LVR          | O                 | 1    |         |       |       |
| 010      | 156401-1  | GEAR HOUSING                |                   | 1    |         |       |       |
| C10      | 214001-4  | PLANE BEARING 8             |                   | 1    |         |       |       |
| 011      | 253139-0  | FLAT WASHER 8               |                   | 1    |         |       |       |
| 012      | 226032-1  | GEAR COMPLETE 13-40         |                   | 1    |         |       |       |
| 013      | 221624-1  | HELICAL GEAR 53             |                   | 1    |         |       |       |
| 014      | 253077-6  | FLAT WASHER 6               |                   | 1    |         |       |       |
| 015A_    | 157996-7  | GEAR HOUSING COVER          |                   | 1    |         |       |       |
| C10      | 214001-4  | PLANE BEARING 8             |                   | 1    |         |       |       |
| C20      | 214004-8  | PLANE BEARING 6             |                   | 1    |         |       |       |
| D10      |           | INC. 16                     |                   |      |         |       |       |
| 016      | 263002-9  | RUBBER PIN 4                |                   | 1    |         |       |       |
| 017-1    | 343693-3  | HOOK                        |                   | 1    |         |       |       |
| 019      | 263002-9  | RUBBER PIN 4                |                   | 1    |         |       |       |
| 020      | 911168-6  | PAN HEAD SCREW M4X40        |                   | 1    |         |       |       |
| 021      | 911188-0  | PAN HEAD SCREW M4X60        |                   | 2    |         |       |       |
| 022      | 211033-2  | BALL BEARING 608LB          |                   | 1    |         |       |       |
| 023      | 241802-7  | FAN 58                      |                   | 1    |         |       |       |
| 024M1    | 518804-1  | ARMATURE ASS'Y 220V         |                   | 1    |         |       |       |
| D10      |           | INC. 22,23,25,45            |                   |      |         |       |       |
| 025      | 211028-5  | BALL BEARING 627LB          |                   | 1    |         |       |       |
| 026A_    | 414292-9  | BAFFLE PLATE                |                   | 1    |         |       |       |
| 027-2    | 911571-1  | PAN HEAD SCREW M4X45        |                   | 2    |         |       |       |
| 028L2    | 628656-3  | FIELD 220V                  |                   | 1    |         |       |       |
| 029      | 643552-4  | BRUSH HOLDER 5-8            |                   | 2    |         |       |       |
| 030D_    | 191627-8  | CARBON BRUSH CB-64          |                   | 1    | *       |       |       |
| 030D1    | 194968-1  | CARBON BRUSH SET CB-64      | O                 | 1    |         |       |       |
| 031      | 911124-6  | PAN HEAD SCREW M4X14        |                   | 2    |         |       |       |
| 033      | 411852-8  | SWITCH COVER                |                   | 1    |         |       |       |
| 034A_    | 682502-4  | CORD GUARD 8-85             |                   | 1    |         |       |       |
| 035N2    | 666066-6  | POWER SUPPLY CORD 1.0-2-2.5 |                   | 1    |         |       |       |
| 036      | 911153-9  | PAN HEAD SCREW M4X28        |                   | 3    |         |       |       |
| 037D1    | 651478-6  | SWITCH VTX11                |                   | 1    |         |       |       |
| 038G1    | 645253-0  | NOISE SUPPRESSOR            |                   | 1    |         |       |       |
| 039-1    | 154960-9  | HANDLE COVER COMPLETE       |                   | 1    |         |       |       |
| C10      | 816266-0  | INDICATION LABEL            |                   | 1    |         |       |       |
| C20      | 817609-9  | CAUTION LABEL               |                   | 1    |         |       |       |

|           |          |                      |  |   |  |  |
|-----------|----------|----------------------|--|---|--|--|
| 040G<br>2 | 650226-0 | SWITCH TG823AB-2     |  | 1 |  |  |
| 041-1     | 911133-5 | PAN HEAD SCREW M4X18 |  | 2 |  |  |
| 042       | 687001-1 | STRAIN RELIEF        |  | 1 |  |  |
| 043C3     | 188104-9 | MOTOR HOUSING SET    |  | 1 |  |  |
| C10       | 816266-0 | INDICATION LABEL     |  | 1 |  |  |
| C20       | 819063-3 | MAKITA LABEL         |  | 1 |  |  |
| D10       |          | INC. 19              |  |   |  |  |
| 045       | 681617-4 | INSULATION WASHER    |  | 1 |  |  |
| 903-2     | 646047-6 | CHOKE COIL           |  | 1 |  |  |
| 904       | 819063-3 | MAKITA LABEL         |  | 1 |  |  |
| 909       | 646048-4 | CHOKE COIL           |  | 1 |  |  |

Please state Parts No. when your order.

Print Date 12/04/2023