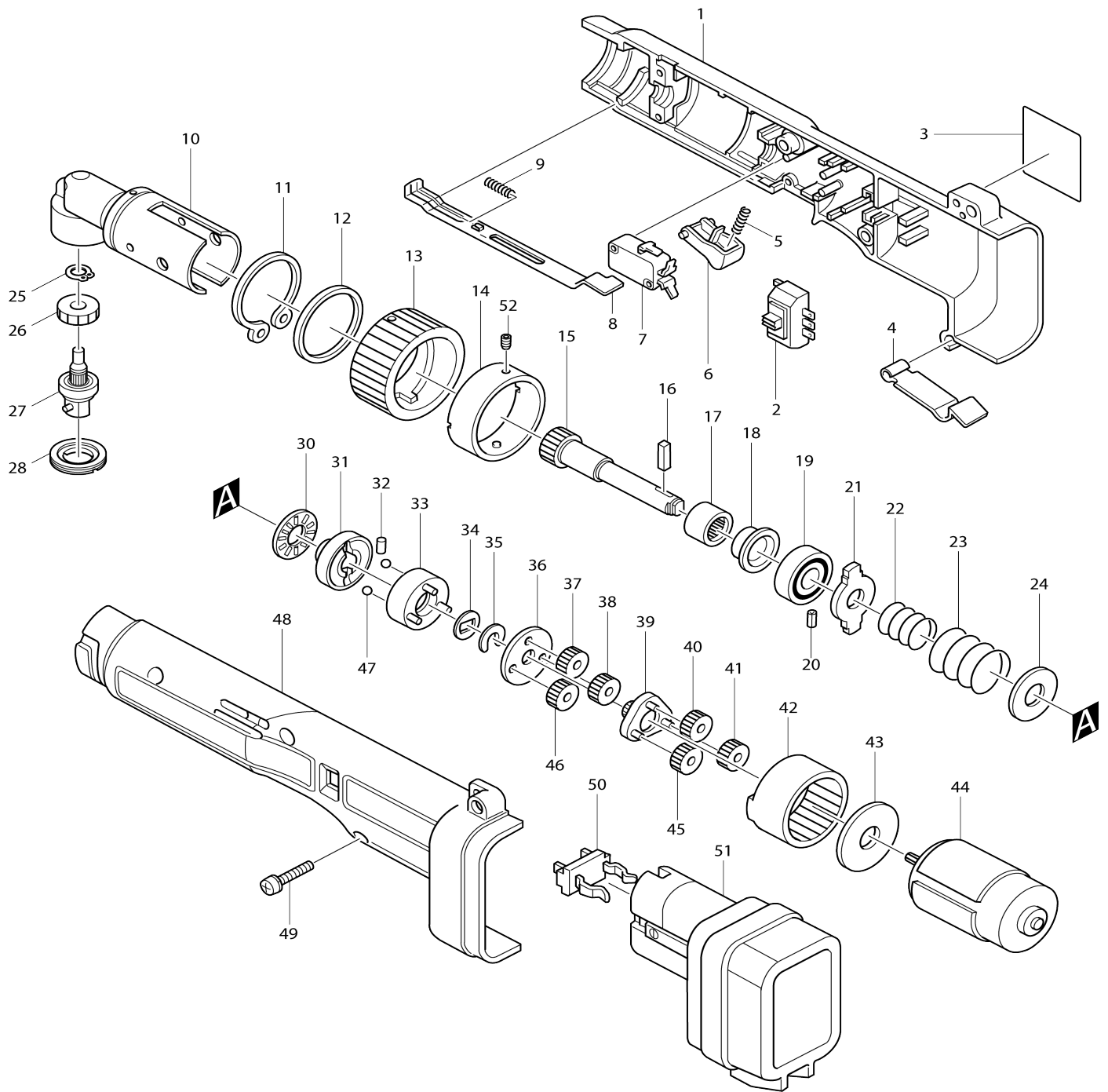


# Model No.6702D CORDLESS ANGLE SOCKET DRIVER



Model No.6702D CORDLESS ANGLE SOCKET DRIVER

Item No.	Parts No.	Description	Interchangability	Q'ty	New/Old	Note1	Note2
001	182441-3	HOUSING SET		1	*		
D10		INC. 48					
001-1	182884-9	HOUSING SET	X	1	*		
D10		INC. 48					
001-2	183057-7	HOUSING SET	X	1			
D10		INC. 48,53					
002	651889-5	SWITCH C3BC-BC		1	*		
002-1	651872-2	SWITCH C3BC-B01	X	1			
003	856767-6	NAME PLATE 6702D		1			
004	343579-1	SET PLATE		1	*		
004-1	344798-2	SET PLATE	X	1			
005	233024-3	COMPRESSION SPRING 4		1			
006	414752-1	SWITCH LEVER		1			
007	651900-3	SWITCH V-15-1A6		1			
008	343898-5	LEVER		1			
009	233025-1	COMPRESSION SPRING 2		1			
010	152402-7	HEAD COMPLETE		1	*		
010-1	152444-1	HEAD COMPLETE	X	1	*		
010-2	152558-6	HEAD COMPLETE	X	1			
011	961172-5	RETAINING RING S-34		1			
012	267093-2	FLAT WASHER 34		1			
013	414757-1	CHANGE RING		1	*		
013-1	415444-5	CHANGE RING	X	1			
014	152406-9	LOCK SLEEVE COMPLETE		1			
015	221390-0	ZEROL BEVEL GEAR 13		1			
016-1	254235-7	KEY 4		1			
017	212104-8	NEEDLE BEARING 1212		1			
018	343798-9	SPACER		1			
019	211061-7	BALL BEARING 6000LLB		1			
020	258002-2	SPRING PIN 3-6		2			
021	343897-7	SLIDE PLATE		1			
022	233026-9	COMPRESSION SPRING 15		1			
023	233027-7	COMPRESSION SPRING 20		1			
024	267024-1	FLAT WASHER 12		1			
025	961023-2	RETAINING RING S-7		1			
026-1	221391-8	ZEROL BEVEL GEAR 14		1			
027B1	152445-9	SPINDLE COMPLETE		1			
C10	211031-6	BALL BEARING 608LLB		1			
028	285671-6	BEARING RETAINER 13-23		1			
030-1	216402-2	THRUST NEEDLE GAUGE 1224		1			
031	322493-4	RETAINER		1			
032-1	256217-5	PIN 4		2			
033	152399-0	HOLDER COMPLETE		1			
034	253998-2	LOCK WASHER 10		1			
035-1	343945-2	(U) PLATE		1			
036	343896-9	PLATE		1			
037	226204-8	SPUR GEAR 28		1			

038	226204-8	SPUR GEAR 28		1		
039	153196-7	SPUR GEAR 11 COMPLETE		1		
040	226204-8	SPUR GEAR 28		1		
041	226204-8	SPUR GEAR 28		1		
042	226205-6	INTERNAL GEAR 67		1		
043	267067-3	FLAT WASHER 12		1		
044	629624-9	DC MOTOR 9.6V		1	*	
C10	226235-7	SPUR GEAR 11		1	*	
044-1	629624-9	DC MOTOR 9.6V	O	1		
C10	226235-7	SPUR GEAR 11		1		
045	226204-8	SPUR GEAR 28		1		
046	226204-8	SPUR GEAR 28		1		
047	216013-3	STEEL BALL 6		2		
048	182441-3	HOUSING SET		1	*	
D10		INC. 1				
048-1	182884-9	HOUSING SET	X	1	*	
D10		INC. 1				
048-2	183057-7	HOUSING SET	X	1		
D10		INC. 1,53				
049	911143-2	PAN HEAD SCREW M4X22		6		
050	643909-9	BATTERY HOLDER		1		
051	192019-4	BATTERY 9100 SET		1		
052	266025-6	T.S.SET SCREW(CUP POINT)M4X6		2		
053	819063-3	MAKITA LABEL		1		
A01-1	824380-8	PLASTIC CARRYING CASE		1		
A02	414938-7	BATTERY COVER		1		

Please state Parts No. when your order.

Print Date 10/09/2023