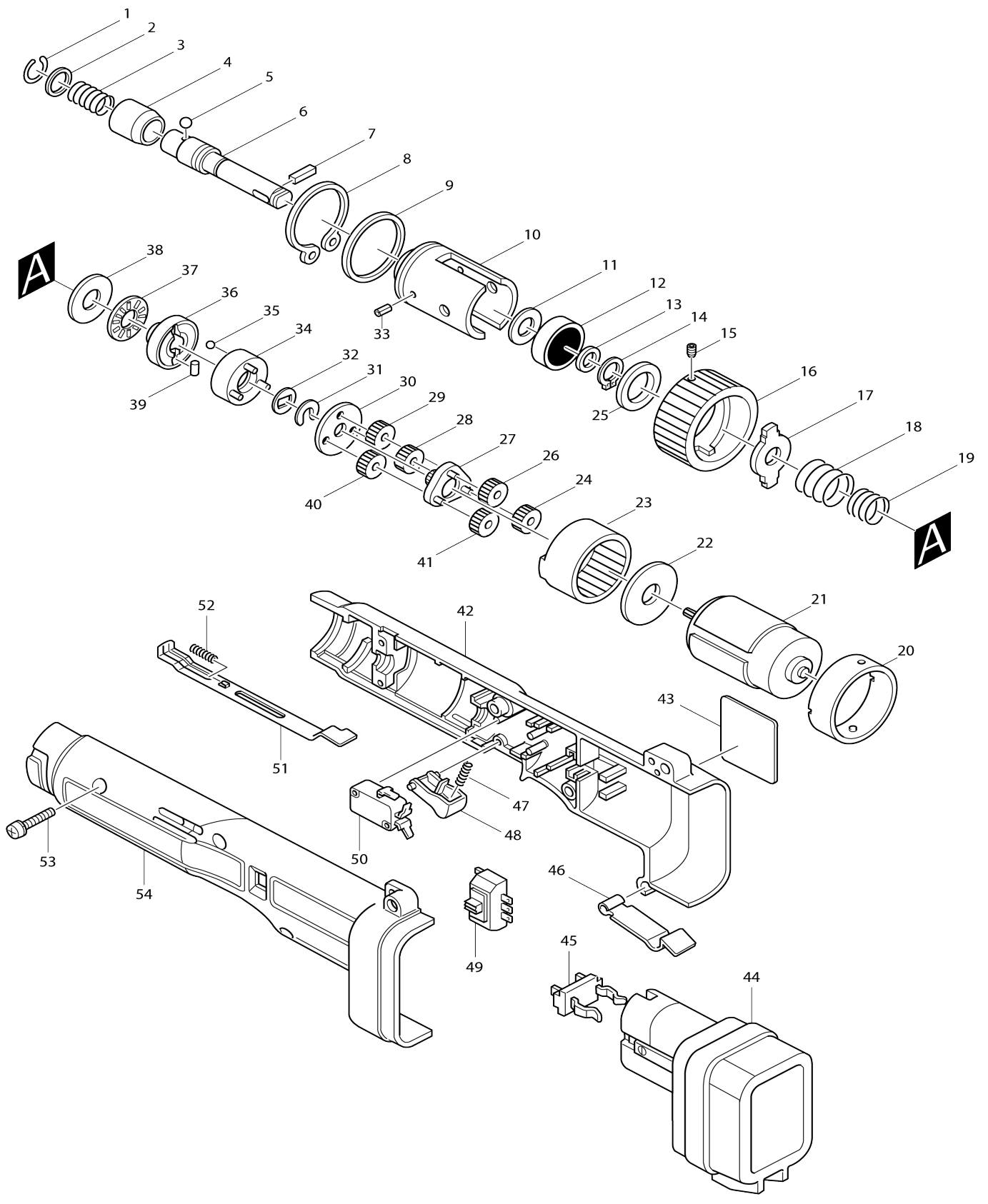


Model No.6703D CORDLESS SCREWDRIVER



Model No.6703D CORDLESS SCREWDRIVER

Item No.	Parts No.	Description	Interchangeability	Q'ty	New/Old	Note1	Note2
001	231951-8	RING SPRING 11		1			
002	267085-1	FLAT WASHER 12		1			
003	233005-7	COMPRESSION SPRING 13		1			
004	322434-0	SLEEVE		1	*		
004-1	324420-7	SLEEVE	O	1			
005	216001-0	STEEL BALL 3.5		2			
006	322681-3	Spindle		1			
007	254235-7	KEY 4		1			
008	961172-5	RETAINING RING S-34		1			
009	267093-2	FLAT WASHER 34		1			
010	322680-5	HEAD		1	*		
010-1	322980-3	HEAD	S	1			
011	253171-4	FLAT WASHER 10		1			
012	211061-7	BALL BEARING 6000LLB		1			
013	267047-9	FLAT WASHER 10		1			
014	961006-2	RETAINING RING S-10		1			
015	266025-6	T.S.SET SCREW(CUP POINT)M4X6		2			
016	415444-5	CHANGE RING		1			
017	343897-7	SLIDE PLATE		1			
018	233094-2	Compression spring 18		1			
019	233093-4	Compression spring 13		1			
020	152406-9	LOCK SLEEVE COMPLETE		1			
021	629624-9	DC MOTOR 9.6V		1	*		
C10	226235-7	SPUR GEAR 11		1	*		
021-1	629624-9	DC MOTOR 9.6V	O	1			
C10	226235-7	SPUR GEAR 11		1			
022	267067-3	FLAT WASHER 12		1			
023	226205-6	INTERNAL GEAR 67		1			
024	226204-8	SPUR GEAR 28		1			
025	257101-7	Ring 18-25.4		1			
026	226204-8	SPUR GEAR 28		1			
027	153196-7	SPUR GEAR 11 COMPLETE		1			
C10	256216-7	PIN 3		3			
028	226204-8	SPUR GEAR 28		1			
029	226204-8	SPUR GEAR 28		1			
030	343896-9	PLATE		1			
031	343945-2	(U) PLATE		1			
032	253998-2	LOCK WASHER 10		1			
033	258002-2	SPRING PIN 3-6		2			
034	152399-0	HOLDER COMPLETE		1			
C10	256195-9	PIN 3		3			
C20	253998-2	LOCK WASHER 10		1			
035	216013-3	STEEL BALL 6		2			
036	322493-4	RETAINER		1			
037	216402-2	THRUST NEEDLE GAUGE 1224		1			
038	267024-1	FLAT WASHER 12		1			
039	256217-5	PIN 4		2			

040	226204-8	SPUR GEAR 28		1		
041	226204-8	SPUR GEAR 28		1		
042	182441-3	HOUSING SET		1	*	
D10		INC. 54				
042-1	182884-9	HOUSING SET	S	1	*	
D10		INC. 54				
042-2	183057-7	HOUSING SET	X	1		
D10		INC. 54,55				
043	857482-5	Name plate 6703D		1		
044	192019-4	BATTERY 9100 SET		1		
045	643909-9	BATTERY HOLDER		1		
046	343579-1	SET PLATE		1	*	
046-1	344798-2	SET PLATE	X	1		
047	233024-3	COMPRESSION SPRING 4		1		
048	414752-1	SWITCH LEVER		1		
049	651872-2	SWITCH C3BC-B01		1		
050	651900-3	SWITCH V-15-1A6		1		
051	343898-5	LEVER		1		
052	233025-1	COMPRESSION SPRING 2		1		
053	911143-2	PAN HEAD SCREW M4X22		6		
054	182441-3	HOUSING SET		1	*	
D10		INC. 42				
054-1	182884-9	HOUSING SET	S	1	*	
D10		INC. 42				
054-2	183057-7	HOUSING SET	X	1		
D10		INC. 42,55				
055	819063-3	MAKITA LABEL		1		
A01	414938-7	BATTERY COVER		1		

Please state Parts No. when your order.

Print Date 10/24/2023