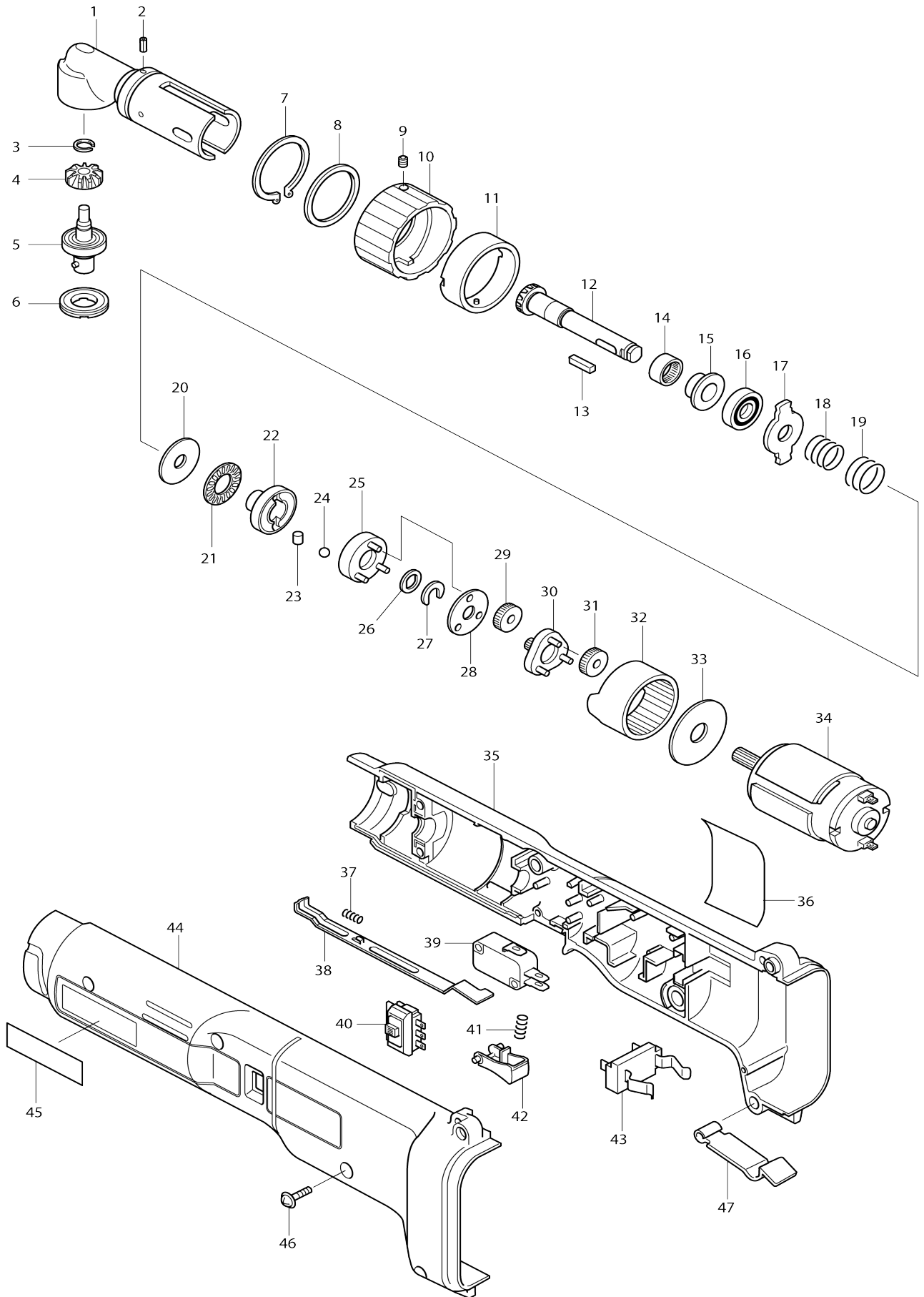


Model No.6704D CORDLESS ANGLE SOCKET DRIVER



Model No.6704D CORDLESS ANGLE SOCKET DRIVER

Item No.	Parts No.	Description	Interchangability	Q'ty	New/Old	Note1	Note2
001	152558-6	HEAD COMPLETE		1			
002	258002-2	SPRING PIN 3-6		2			
003	961023-2	RETAINING RING S-7		1			
004	221391-8	ZEROL BEVEL GEAR 14		1			
005	152400-1	SPINDLE COMPLETE		1			
C10	211031-6	BALL BEARING 608LLB		1			
C20	233081-1	COMPRESSION SPRING 3		1			
C30	253139-0	FLAT WASHER 8		1			
C40	256436-3	PIN 3-5		1			
C50	322640-7	CAP		1			
006	285671-6	BEARING RETAINER 13-23		1			
007	961172-5	RETAINING RING S-34		1			
008	267093-2	FLAT WASHER 34		1			
009	266025-6	T.S.SET SCREW(CUP POINT)M4X6		2			
010	415444-5	CHANGE RING		1			
011	152406-9	LOCK SLEEVE COMPLETE		1			
012	221390-0	ZEROL BEVEL GEAR 13		1			
013	254235-7	KEY 4		1			
014	212104-8	NEEDLE BEARING 1212		1			
015	343798-9	SPACER		1			
016	211061-7	BALL BEARING 6000LLB		1			
017	343897-7	SLIDE PLATE		1			
018	233026-9	COMPRESSION SPRING 15		1			
019	233027-7	COMPRESSION SPRING 20		1			
020	267024-1	FLAT WASHER 12		1			
021	216402-2	THRUST NEEDLE GAUGE 1224		1			
022	322493-4	RETAINER		1			
023	256217-5	PIN 4		2			
024	216013-3	STEEL BALL 6		2			
025	152399-0	HOLDER COMPLETE		1			
026	253998-2	LOCK WASHER 10		1			
027	343945-2	(U) PLATE		1			
028	343896-9	PLATE		1			
029	226204-8	SPUR GEAR 28		3			
030	153196-7	SPUR GEAR 11 COMPLETE		1			
031	226204-8	SPUR GEAR 28		3			
032	226205-6	INTERNAL GEAR 67		1			
033	267067-3	FLAT WASHER 12		1			
034	629624-9	DC MOTOR 9.6V		1	*		
C10	226235-7	SPUR GEAR 11		1	*		
034-1	629624-9	DC MOTOR 9.6V	O	1			
C10	226235-7	SPUR GEAR 11		1			
035	183057-7	HOUSING SET		1			
D10		INC. 44,45					
036	851442-9	Name plate 6704D		1			
037	233025-1	COMPRESSION SPRING 2		1			
038	343898-5	LEVER		1			

039	651942-7	SWITCH V15-1A6-IN		1		
040	651872-2	SWITCH C3BC-B01		1		
041	233024-3	COMPRESSION SPRING 4		1		
042	414752-1	SWITCH LEVER		1		
043	643909-9	BATTERY HOLDER		1		
044	183057-7	HOUSING SET		1		
D10		INC. 35,45				
045	819063-3	MAKITA LABEL		1		
046	911143-2	PAN HEAD SCREW M4X22		6		
047	344798-2	SET PLATE		1		
E01	824380-8	PLASTIC CARRYING CASE		1		
E02	192019-4	BATTERY 9100 SET		1		
E03A_	***DC9700	DC9700 FAST CHARGER		1	*	
E03A1	***DC9710	DC9710 BATTERY CHARGER	O	1	*	
E03A2	***DC1414	DC1414 BATTERY CHARGER	<	1		
E04	414938-7	BATTERY COVER		1		

Please state Parts No. when your order.

Print Date 10/09/2023