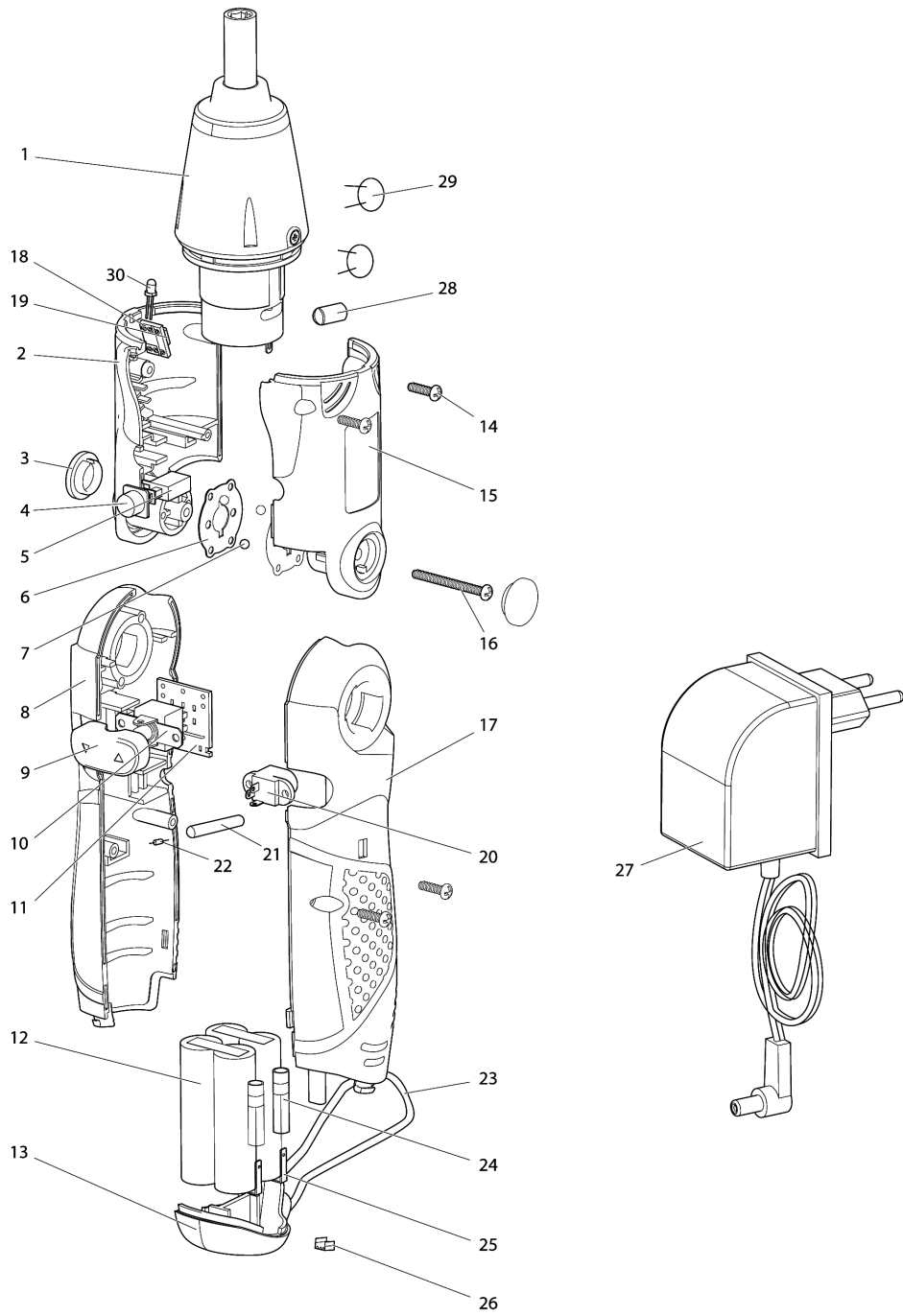


Model No.6722DW SCREWDRIVER 4.8V



Model No.6722DW SCREWDRIVER 4.8V

Item	Parts No.	Description	I/C	Qty	New/Old	Opt. 1	Opt. 2	Note
001	TL00000001	MOTOR ASSY (AS-0282MG01)		1				
C10	TP00000072	SPUR GEAR 3G005		1	*			
C11	TP00000072	SPUR GEAR 3G005	O	6				
002	TL00000002	RIGHT HOUSING (AP-028307-6MK)		1	*			
002-1	TP00000069	HOUSING SET AP-028307-L/R	S	1				
D10		INC. 15						
003	TL00000003	CAP (AP-028905-0)		2	*			
003-1	TP00000070	SWITCH BUTTON SET AP-02890CLS	S	1				
D10		INC. 4,9						
004	TL00000004	LED SWITCH BUTTON(AP-028308-0)		1	*			
004-1	TP00000070	SWITCH BUTTON SET AP-02890CLS	S	1				
D10		INC. 3,9						
005	TL00000005	SWITCH (CSW-P11N003A)		1				
006	TL00000006	SPRING CLIP (AM-02890001)		2				
007	TL00000007	STEEL BALL (AM-05060004)		4				
008	TL00000008	RIGHT HANDLE (APS-028305JC)		1	*			
008-1	TP00000071	HANDLE SET APS-02830L/R	S	1				
D10		INC. 13,17						
009	TL00000009	SWITCH BUTTON (AP-028906-0)		1	*			
009-1	TP00000070	SWITCH BUTTON SET AP-02890CLS	S	1				
D10		INC. 3,4						
010	TL00000010	ON/OFF/ON SWITCH CSW-R22U050C		1				
011	TL00000011	CIRCUIT BOARD (AN-0289001)		1				
012	TL00000012	BATTERY (EBT-N06AA/SY)		4	*			
012-1	TP00000164	BATTERY (EBT-N06AA1/SY)	O	1				
013	TL00000013	TAIL CAP (APS-028303JC)		1	*			
013-1	TP00000071	HANDLE SET APS-02830L/R	S	1				
D10		INC. 8,17						
014	TL00000014	SCREW 3.0X10 MM (MSS-B30H10B3)		4				
015	TL00000015	LEFT HOUSING (AP-028306-6MK)		1	*			
015-1	TP00000069	HOUSING SET AP-028307-L/R	S	1				
D10		INC. 2						
016	TL00000016	SCREW 3.5X26MM(MSS-B35H26BT3)		1				
017	TL00000017	LEFT HANDLE (APS-028304JC)		1	*			
017-1	TP00000071	HANDLE SET APS-02830L/R	S	1				
D10		INC. 8,13						
018	TL00000018	CIRCUIT BOARD (AN-0283001)		1				
019	TL00000019	RESISTOR (RSC-560G4)		1				
020	TL00000020	DC JACK (CJP-DJ2155B)		1				

Please order the parts with part number.

Print Date 24/10/2023

Model No.6722DW SCREWDRIVER 4.8V

Item	Parts No.	Description	I/C	Qty	New/Old	Opt. 1	Opt. 2	Note
021	TL00000028	SHRINK PIPE(DTU-SK030U020)		1				
022	TL00000029	DIODE IN 4001 (SRT-4001D)		1				
023	TL00000021	WRIST STRAP (DCW-WS0B040)		1				
024	TL00000030	INSULATION (AN-0282001)		2				
025	TL00000031	FEMALE TERMINAL (CTM-SR1803)		2				
026	TL00000022	STRING CLIP (AM-02880001)		1				
027	TL00000023	CHARGER (BHY35060300GS)		1	*			
027-1	TP00000197	CHARGER (HYCH0062700250G)		1				
028	TL00000026	FERRITE BEAD (OFB-057098)		1				
029	TL00000027	CERAMIC CAPACITOR(CPC-104050A)		2				
030	TP00000075	LED LIGHT SLD-3D9L04		1				
A01	TP00000073	PLASTIC CASE AB-0283U501/MK		1				

Please order the parts with part number.

Print Date 24/10/2023