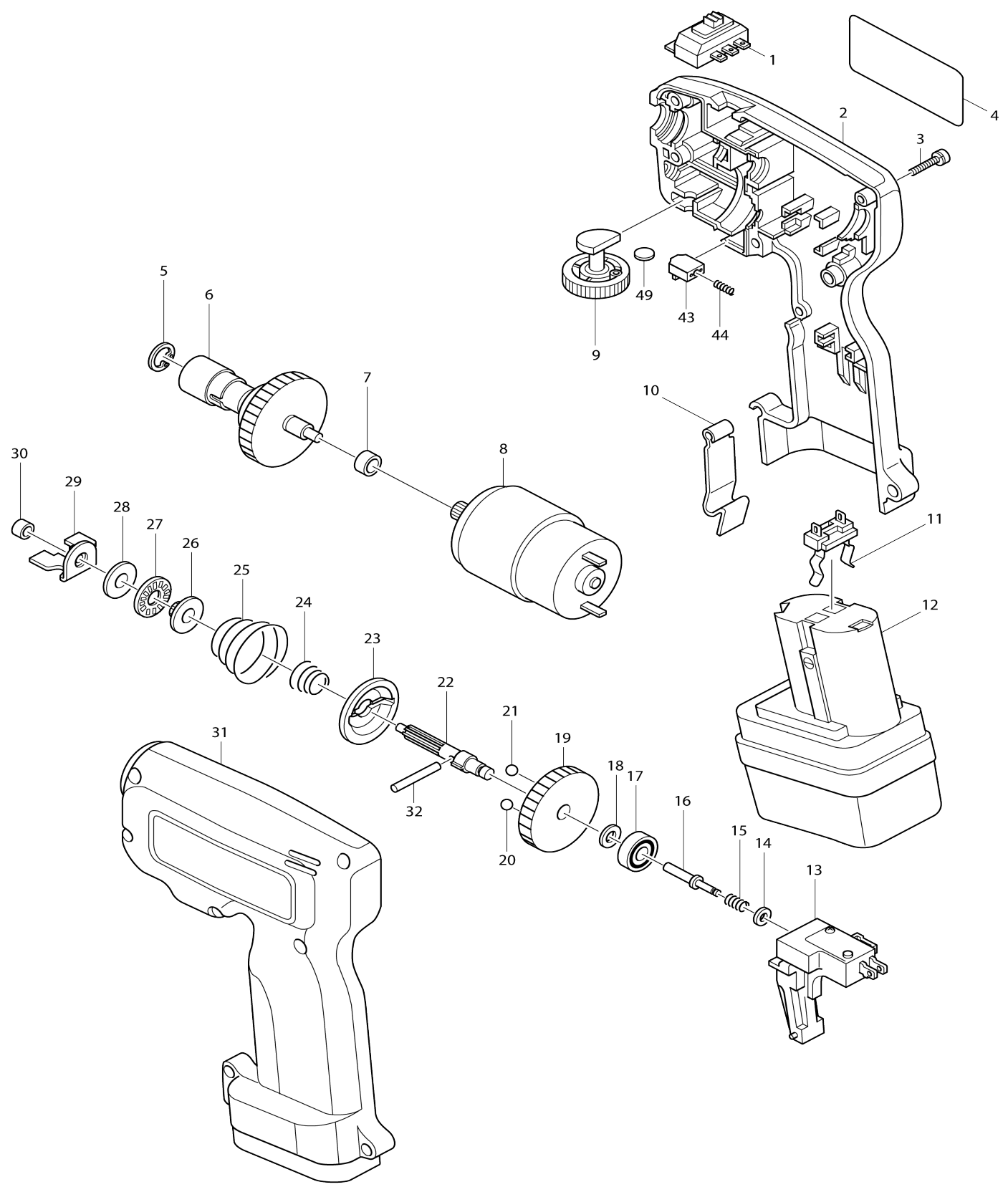


Model No.6791D CORDLESS SCREWDRIVER



Model No.6791D CORDLESS SCREWDRIVER

Item No.	Parts No.	Description	Interchangability	Q'ty	New/Old	Note1	Note2
001A_	651872-2	SWITCH C3BC-B01		1			
002-1	182205-5	HOUSING SET		1	*		
D10		INC. 31					
002-2	182891-2	HOUSING SET	O	1			
D10		INC. 31					
003	911143-2	PAN HEAD SCREW M4X22		7			
004	856298-5	NAME PLATE 6791D		1			
005	961072-9	RETAINING RING S-12		1			
006	153186-0	SPINDLE COMPLETE		1	*		
C10	221988-3	SPUR GEAR 93		1	*		
D10		INC. 5					
006-1	134728-9	Spindle assembly With Gear	X	1	*		
C10	134720-5	SPINDLE ASS'Y		1	*		
C20	221988-3	SPUR GEAR 93		1	*		
C30	961015-1	STOP RING E-9		1	*		
C40	211061-7	BALL BEARING 6000LLB		1	*		
006-2	134728-9	Spindle assembly With Gear	O	1			
C10	134720-5	SPINDLE ASS'Y		1			
C20	221988-3	SPUR GEAR 93		1			
C30	961015-1	STOP RING E-9		1			
C40	211061-7	BALL BEARING 6000LLB		1			
007	214017-9	PLANE BEARING 5		1			
008	629580-3	DC MOTOR 9.6V		1			
C10	221882-9	SPUR GEAR 15		1			
009-1	152357-6	SHIFTER PIN COMPLETE		1	*		
009-2	153219-1	SHIFTER PIN COMPLETE	X	1			
C10	415317-2	DIAL 25		1			
C20	931002-4	HEX. NUT M3		1			
010	343579-1	SET PLATE		1	*		
010-1	344798-2	SET PLATE	X	1			
011	643909-9	BATTERY HOLDER		1			
012	192019-4	BATTERY 9100 SET		1			
013	651237-8	SWITCH C3Z-3		1			
014	253821-1	FLAT WASHER 3		1			
015	231461-5	COMPRESSION SPRING 3		1			
016	322241-1	PIN 3		1			
017	211016-2	BALL BEARING 626LLB		1			
018	253726-5	FLAT WASHER 6		1			
019	221987-5	SPUR GEAR 89		1			
020	216009-4	STEEL BALL 7.1		1			
021	216009-4	STEEL BALL 7.1		1			
022-1	226258-5	SPUR GEAR 12		1			
023	322231-4	RETAINER		1			
024-1	231949-5	CONICAL COMPR. SPRING 10-12		1			
025	231945-3	CONICAL COMPR. SPRING 18-29		1	*		
025-1	231997-4	CONICAL COMPR. SPRING 18-29	X	1			
026	341902-4	DISC		1			

027	216401-4	THRUST NEEDLE CAGE 1023		1		
028	253851-2	FLAT WASHER 8		1		
029	164625-5	SLIDER		1		
030	214019-5	PLANE BEARING 4		1		
031-1	182205-5	HOUSING SET		1	*	
031-2	182891-2	HOUSING SET	O	1		
D10		INC. 2				
032	256187-8	PIN 4		1		
043	414515-5	STOPPER		1		
044-1	231453-4	COMPRESSION SPRING 2		1		
049	344058-2	PLATE		1		
402-2	182206-3	STEEL CARRYING CASE		1	*	
402-3	182206-3	STEEL CARRYING CASE	O	1		
403	414938-7	BATTERY COVER		1		
903	266002-8	PAN HEAD SCREW M3X6		1		
904	134720-5	SPINDLE ASS'Y		1		
C10	216001-0	STEEL BALL 3.5		2		
C20	231951-8	RING SPRING 11		1		
C30	233005-7	COMPRESSION SPRING 13		1		
C40	256014-9	PIN 3		1		
C50	267085-1	FLAT WASHER 12		1		
C60	322620-3	SLEEVE		1		

Please state Parts No. when your order.

Print Date 10/09/2023