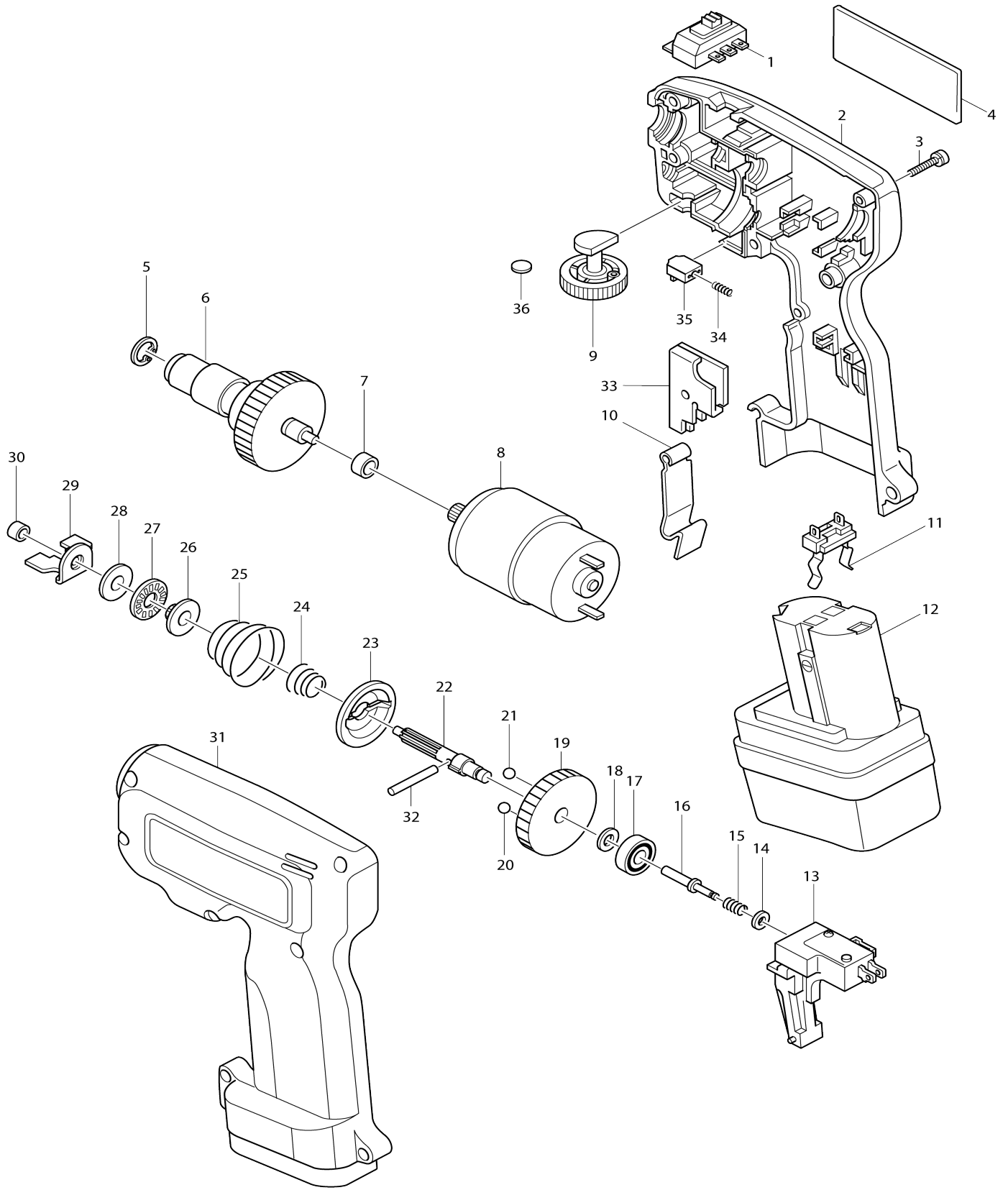


Model No.6794D CORDLESS SCREWDRIVER



Model No.6794D CORDLESS SCREWDRIVER

Item No.	Parts No.	Description	Interchangeability	Q'ty	New/Old	Note1	Note2
001	651889-5	SWITCH C3BC-BC		1			
002	182205-5	HOUSING SET		1	*		
D10		INC. 31					
002-1	182891-2	HOUSING SET	O	1			
D10		INC. 31					
003	911143-2	PAN HEAD SCREW M4X22		7			
004	857670-4	NAME PLATE 6794D		1			
005	961072-9	RETAINING RING S-12		1			
006B_	153220-6	SPINDLE COMPLETE		1	*		
C10	221988-3	SPUR GEAR 93		1	*		
006B1	153220-6	SPINDLE COMPLETE	O	1			
C10	221988-3	SPUR GEAR 93		1			
007	214017-9	PLANE BEARING 5		1			
008	629607-9	DC MOTOR 9.6V		1			
C10	226222-6	SPUR GEAR 21		1			
009	152427-1	SHIFTER PIN COMPLETE		1			
010	343579-1	SET PLATE		1	*		
010-1	344798-2	SET PLATE	X	1			
011	643909-9	BATTERY HOLDER		1			
012	192019-4	BATTERY 9100 SET		1			
013	651237-8	SWITCH C3Z-3		1			
014	253821-1	FLAT WASHER 3		1			
015	231461-5	COMPRESSION SPRING 3		1			
016	322241-1	PIN 3		1			
017	211016-2	BALL BEARING 626LLB		1			
018	253726-5	FLAT WASHER 6		1			
019	226223-4	SPUR GEAR 83		1			
020	216009-4	STEEL BALL 7.1		1			
021	216009-4	STEEL BALL 7.1		1			
022	226258-5	SPUR GEAR 12		1			
023	322353-0	RETAINER		1			
024	231949-5	CONICAL COMPR. SPRING 10-12		1			
025	231945-3	CONICAL COMPR. SPRING 18-29		1			
026	341902-4	DISC		1			
027	216401-4	THRUST NEEDLE CAGE 1023		1			
028	253851-2	FLAT WASHER 8		1			
029	164625-5	SLIDER		1			
030	214019-5	PLANE BEARING 4		1			
031	182205-5	HOUSING SET		1	*		
D10		INC. 2					
031-1	182891-2	HOUSING SET	O	1			
D10		INC. 2					
032	256187-8	PIN 4		1			
033	631196-2	CONTROL CIRCUIT		1			
034	231453-4	COMPRESSION SPRING 2		1			
035	414515-5	STOPPER		1			
036	344058-2	PLATE		1			

037	253332-6	THIN WASHER 6		1		
A03	414938-7	BATTERY COVER		1		
E01	322620-3	SLEEVE		1		
E02	216001-0	STEEL BALL 3.5		1		
E03	231951-8	RING SPRING 11		1		
E04	233005-7	COMPRESSION SPRING 13		1		
E05	267085-1	FLAT WASHER 12		1		
E06	266002-8	PAN HEAD SCREW M3X6		1		

Please state Parts No. when your order.

Print Date 10/09/2023