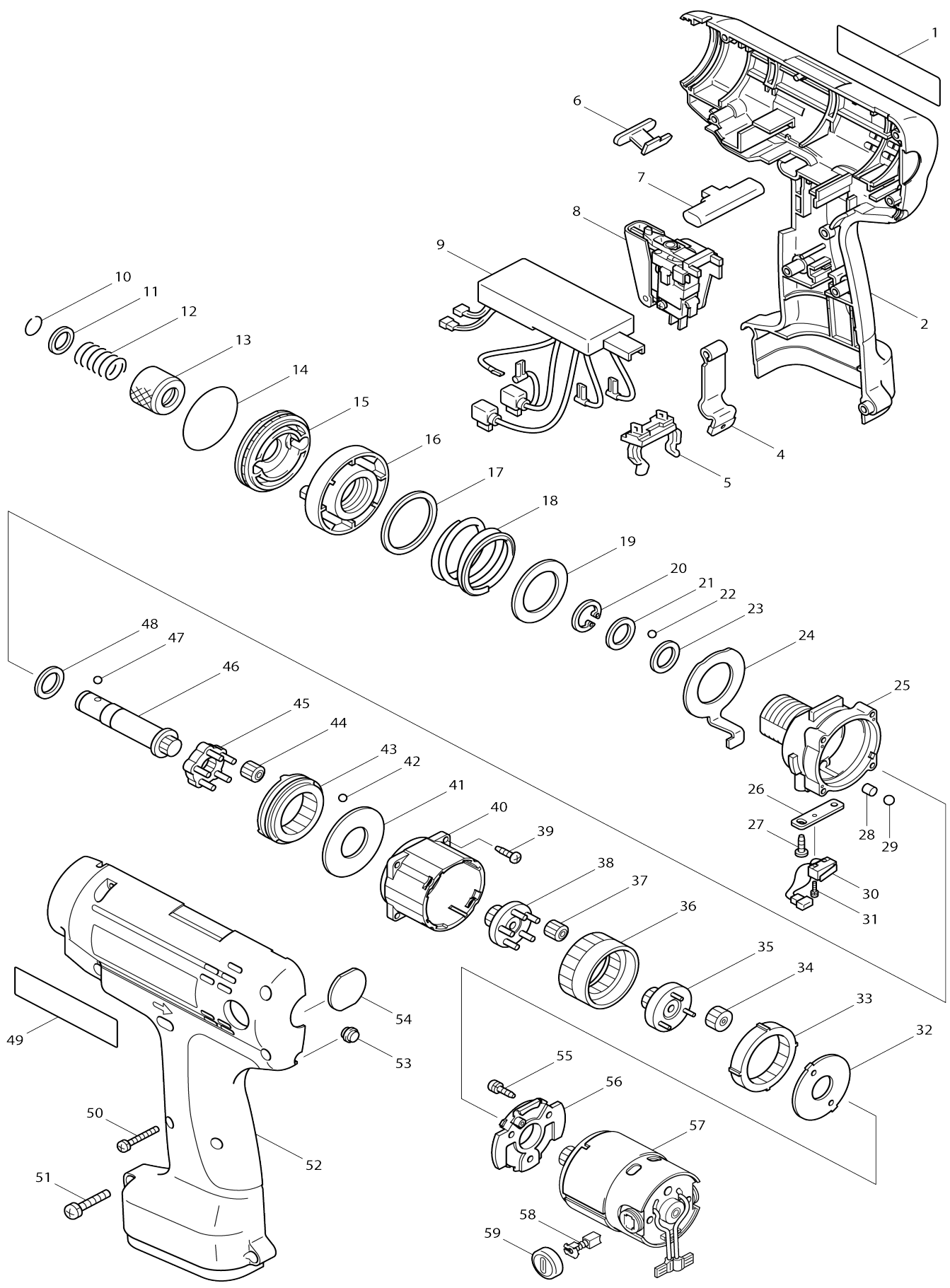


Model No.6798D CORDLESS SCREWDRIVER



Model No.6798D CORDLESS SCREWDRIVER

Item No.	Parts No.	Description	Interchangability	Q'ty	New/Old	Note1	Note2
001	852970-7	NAME PLATE 6798D		1			
002	183321-6	HOUSING SET		1			
D10		INC. 49,52					
004	344798-2	SET PLATE		1			
005	643918-8	BATTERY HOLDER		1			
006	413088-5	INNER PLATE		1			
007	417511-2	F/R CHANGE LEVER		1			
008	651999-8	SWITCH C3Z-5		1			
C10	651942-7	SWITCH V15-1A6-IN		1			
009	631437-6	CONTROLLER		1			
010	231965-7	RING SPRING 10		1			
011	267143-3	FLAT WASHER 11		1			
012	233005-7	COMPRESSION SPRING 13		1			
013	162218-2	SLEEVE		1			
014	213510-0	O RING 36		1			
015	417510-4	FRONT COVER		1			
016	417620-7	SPRING HOLDER		1			
017	253356-2	THIN WASHER 30		1			
018	233313-6	COMPRESSION SPRING 30		1			
019	253355-4	THIN WASHER 24		1			
020	961072-9	RETAINING RING S-12		1			
021	253052-2	FLAT WASHER 12		1			
022	216019-1	STEEL BALL 3		16			
023	253052-2	FLAT WASHER 12		1			
024	344969-1	TORQUE-UP PLATE		1			
025	152835-6	GEAR CASE COMPLETE		1			
026	344968-3	HOLDER PLATE		1			
027	266007-8	TAPPING SCREW BIND PT 3X10		1			
028	268068-4	PIN 5		3			
029	216018-3	STEEL BALL 5.0		3			
030	638064-0	SWITCH UNIT		1	*		
030-1	638083-6	SWITCH UNIT	X	1			
031	265087-1	PAN HEAD SCREW M2.3X10		1	*		
031-1	265114-4	PAN HEAD SCREW M2.3X10	O	1			
032	267738-2	LOCK WASHER		1			
033	226352-3	INTERNAL GEAR 49		1			
034	226351-5	SPUR GEAR 17		3			
035	152833-0	SPUR GEAR 15 COMPLETE		1			
036	227015-4	INTERNAL GEAR 35		1			
037	226311-7	SPUR GEAR 10		5			
038	152834-8	SPUR GEAR 15 COMPLETE		1			
039	265893-4	TAPPING SCREW 3X12		4			
040	416588-4	GEAR CASE A		1			
041	267225-1	FLAT WASHER 18		1			
042	216019-1	STEEL BALL 3		38			
043	227014-6	INTERNAL GEAR 35		1			
044	226311-7	SPUR GEAR 10		5			

045	152526-9	CARRIER COMPLETE		1		
046	324136-4	SPINDLE M		1		
047	216019-1	STEEL BALL 3		2		
048	253052-2	FLAT WASHER 12		1		
049	819064-1	MAKITA MARK		1		
050	911038-9	PAN HEAD SCREW M3X20		7	*	
050-1	265095-2	PAN HEAD SCREW M3X20	<	7		
051	911143-2	PAN HEAD SCREW M4X22		1	*	
051-1	265145-3	+ PAN HEAD SCREW M4X22	<	1		
052	183321-6	HOUSING SET		1		
D10		INC. 2,49				
053	416764-0	LENS		1		
054	345172-7	PLATE		1	*	
054-1	345172-7	PLATE	<	1		
055	911006-2	PAN HEAD SCREW M3X8		3		
056	416587-6	MOTOR BRACKET		1		
057	629765-1	DC MOTOR		1	*	
C10	226350-7	SPUR GEAR 14		1	*	
C20	654069-2	RECEPTACLE		2	*	
D10		INC. 58,59				
057-1	629790-2	DC MOTOR	<	1		
C10	226350-7	SPUR GEAR 14		1		
C20	654069-2	RECEPTACLE		2		
D10		INC. 58,59				
058	191966-6	CARBON BRUSH CB-424		1	*	
058-1	195017-7	CARBON BRUSH CB-424	O	1		
059	643933-2	BRUSH HOLDER CAP		2		
B01	125151-9	GEAR ASSY M		1		
D10		INC. 20-23,25,32-46,48				

Please state Parts No. when your order.

Print Date 10/24/2023