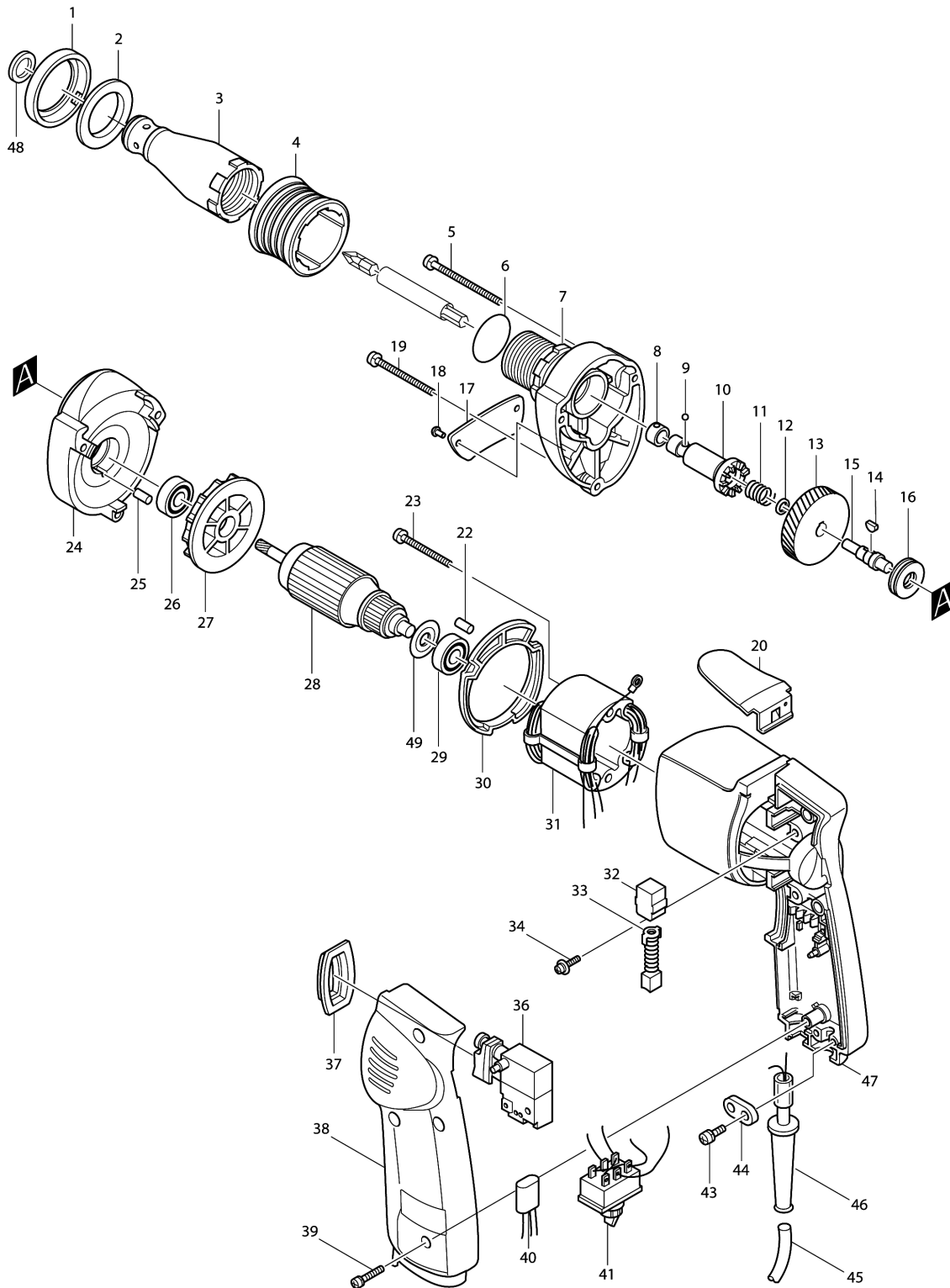


Model No.6800DBV DRYWALL SCREWDRIVER



Model No.6800DBV DRYWALL SCREWDRIVER

| Item | Parts No. | Description | I/C | Qty | New/Old | Opt. 1 | Opt. 2 | Note |
|-------|-----------|----------------------------|-----|-----|---------|--------|--------|------|
| 001 | 411297-0 | FELT COVER | | 1 | | | | |
| 002 | 443028-9 | FELT RING 30 | | 1 | | | | |
| 003 | 411292-0 | LOCATOR | | 1 | | | | |
| D10 | | INC. 48 | | | | | | |
| 004 | 411293-8 | LOCKING SLEEVE | | 1 | | | | |
| 005 | 911183-0 | PAN HEAD SCREW M4X55 | | 2 | | | | |
| 006 | 213363-7 | O RING 23 | | 1 | * | | | |
| 006-1 | 213404-9 | O RING 27 | O | 1 | | | | |
| 007-1 | 156681-9 | GEAR HOUSING | | 1 | | | | |
| C10 | 212155-1 | NEEDLE BEARING 1416 | | 1 | | | | |
| C20 | 213154-6 | O RING 14 | | 1 | | | | |
| 008 | 232050-9 | LEAF SPRING | | 1 | | | | |
| 009 | 216001-0 | STEEL BALL 3.5 | | 1 | | | | |
| 010 | 133457-1 | SPINDLE | | 1 | | | | |
| C10 | 212015-7 | NEEDLE BEARING 509 | | 1 | | | | |
| D10 | | INC. 8,9 | | | | | | |
| 011 | 231139-0 | COMPRESSION SPRING 9 | | 1 | | | | |
| 012 | 253324-5 | THIN WASHER 8 | | 2 | | | | |
| 013 | 221675-4 | HELICAL GEAR 56 | | 1 | | | | |
| 014 | 254031-3 | WOODRUFF KEY 3 | | 1 | | | | |
| 015 | 325485-2 | GEAR SHAFT | | 1 | | | | |
| 016 | 212057-1 | THRUST NEEDLE BEARING 1023 | | 1 | | | | |
| 017 | 815402-5 | NAME PLATE 6800DBV | | 1 | | | | |
| 018 | 953106-2 | RIVET 0-5 | | 2 | | | | |
| 019 | 911173-3 | PAN HEAD SCREW M4X45 | | 1 | | | | |
| 020-1 | 343693-3 | HOOK | | 1 | | | | |
| 022 | 263002-9 | RUBBER PIN 4 | | 1 | | | | |
| 023-3 | 911576-1 | PAN HEAD SCREW M4X50 | | 2 | | | | |
| 024 | 156682-7 | GEAR HOUSING COVER | | 1 | | | | |
| C10 | 214012-9 | PLANE BEARING 6 | | 1 | | | | |
| D10 | | INC. 25 | | | | | | |
| 025 | 263002-9 | RUBBER PIN 4 | | 1 | | | | |
| 026 | 211028-5 | BALL BEARING 627LB | | 1 | | | | |
| 027 | 241803-5 | FAN 58 | | 1 | | | | |
| 028G_ | 511763-8 | ARMATURE ASS'Y 220V | | 1 | | | | |
| C10 | 681617-4 | INSULATION WASHER | | 1 | | | | |
| D10 | | INC. 26,27,29 | | | | | | |
| 029 | 211028-5 | BALL BEARING 627LB | | 1 | | | | |
| 030-1 | 414463-8 | BAFFLE PLATE | | 1 | | | | |
| 031N_ | 627059-8 | FIELD 220V | | 1 | | | | |
| 032 | 643552-4 | BRUSH HOLDER 5-8 | | 2 | | | | |
| 033C_ | 191627-8 | CARBON BRUSH CB-64 | | 1 | * | | | |
| 033C1 | 194968-1 | CARBON BRUSH SET CB-64 | O | 1 | | | | |
| 034 | 911124-6 | PAN HEAD SCREW M4X14 | | 2 | | | | |
| 036B1 | 651247-5 | SWITCH 11-12 | | 1 | * | | | |

Please order the parts with part number.

Print Date 25/10/2023

Model No.6800DBV DRYWALL SCREWDRIVER

| Item | Parts No. | Description | I/C | Qty | New/Old | Opt. 1 | Opt. 2 | Note |
|-------|-----------|-----------------------------|-----|-----|---------|--------|--------|------|
| 036B2 | 651256-4 | SWITCH SGEL106CV-1A | O | 1 | * | | | |
| 036B3 | 650226-0 | SWITCH TG823AB-2 | S | 1 | | | | |
| 037 | 411852-8 | SWITCH COVER | | 1 | | | | |
| 038E_ | 155587-8 | HANDLE COVER COMPLETE | | 1 | * | | | |
| C10 | 817728-1 | CAUTION LABEL | | 1 | * | | | |
| C21 | 816266-0 | INDICATION LABEL | | 1 | * | | | |
| 038E1 | 154970-6 | HANDLE COVER COMPLETE | S | 1 | | | | |
| C10 | 817728-1 | CAUTION LABEL | | 1 | | | | |
| C21 | 816266-0 | INDICATION LABEL | | 1 | | | | |
| 039 | 911153-9 | PAN HEAD SCREW M4X28 | | 3 | | | | |
| 040J1 | 645253-0 | NOISE SUPPRESSOR | | 1 | | | | |
| 041-1 | 651478-6 | SWITCH VTX11 | | 1 | | | | |
| 043-1 | 911133-5 | PAN HEAD SCREW M4X18 | | 2 | | | | |
| 044D_ | 687031-2 | STRAIN RELIEF | | 1 | | | | |
| 045Z_ | 695034-2 | POWER SUPPLY CORD 1.0-2-4.0 | | 1 | | | | |
| 046A_ | 682502-4 | CORD GUARD 8-85 | | 1 | | | | |
| 047-2 | 159062-6 | MOTOR HOUSING COMPLETE | | 1 | * | | | |
| C10 | 816266-0 | INDICATION LABEL | | 1 | * | | | |
| D10 | | INC. 22 | | | * | | | |
| 047-3 | 188104-9 | MOTOR HOUSING SET | S | 1 | | | | |
| C10 | 816266-0 | INDICATION LABEL | | 1 | | | | |
| C20 | 819063-3 | MAKITA LABEL | | 1 | | | | |
| D10 | | INC. 22 | | | | | | |
| 048 | 261058-6 | SPONGE WASHER 11 | | 1 | | | | |
| 049 | 681617-4 | INSULATION WASHER | | 1 | | | | |
| 400 | 784211-2 | PHILLIPS INSERT BIT 2-25 | | 1 | * | | | |
| 400-1 | 784261-7 | +BIT 2-25 | O | 1 | | | | |
| 401 | 784801-1 | MAGNETIC BIT HOLDER 6.35-76 | | 1 | | | | |
| 500 | 122211-8 | LOCATOR ASS'Y | | 1 | | | | |
| D10 | | INC. 1-4 | | | | | | |
| 903 | 819063-3 | MAKITA LABEL | | 1 | | | | |

Please order the parts with part number.

Print Date 25/10/2023