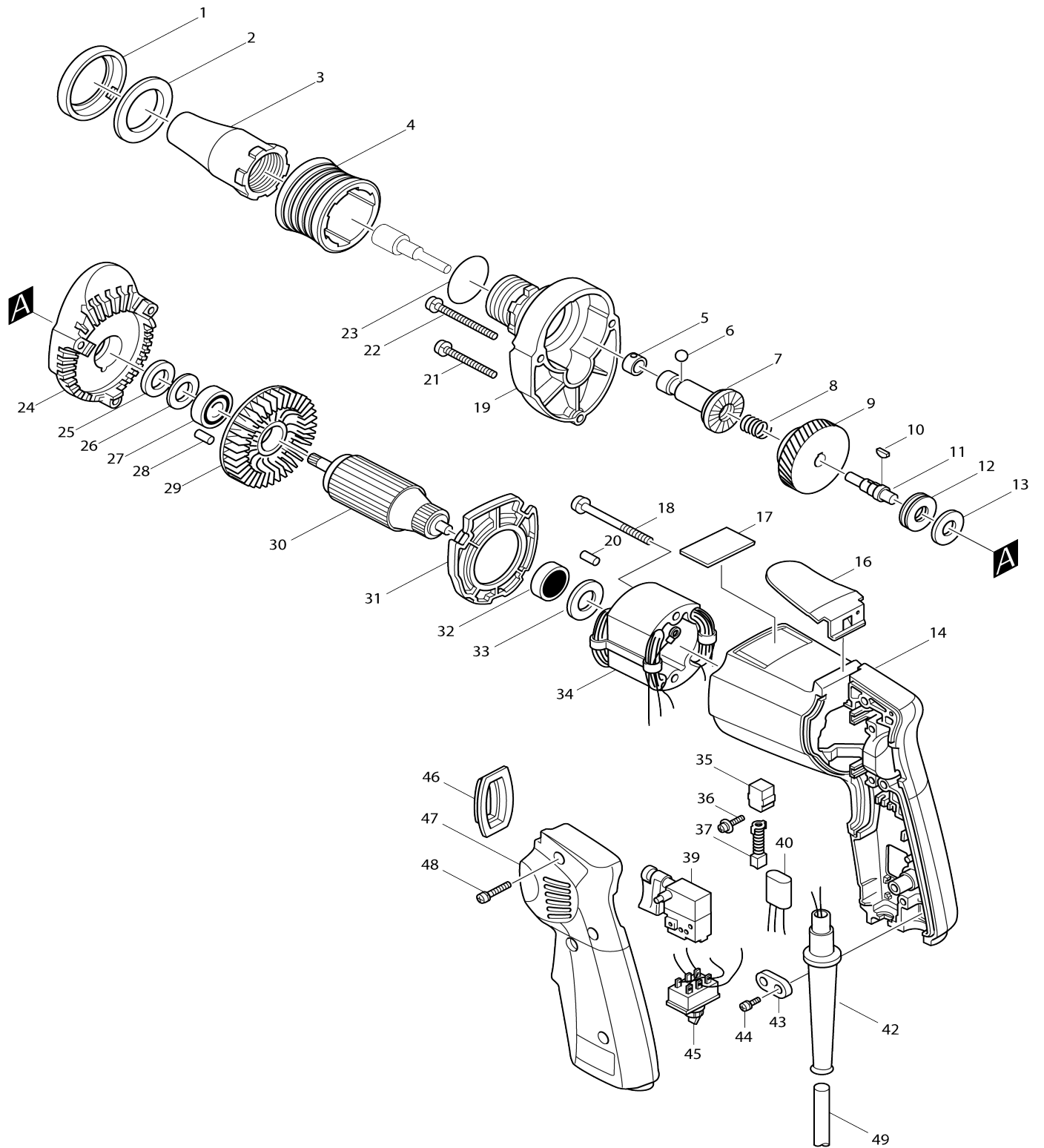


Model No.6802BV SCREWDRIVER



Model No.6802BV SCREWDRIVER

Item No.	Parts No.	Description	Interchangability	Q'ty	New/Old	Note1	Note2
001	411297-0	FELT COVER		1			
002	443028-9	FELT RING 30		1			
003A_	152279-0	LOCATOR 5/16"		1			
004	411293-8	LOCKING SLEEVE		1			
005	232050-9	LEAF SPRING		1			
006	216001-0	STEEL BALL 3.5		1			
007	133459-7	SPINDLE		1			
C10	212015-7	NEEDLE BEARING 509		1			
D10		INC. 5,6					
008	231139-0	COMPRESSION SPRING 9		1			
009	153133-1	GEAR COMPLETE		1			
010	254031-3	WOODRUFF KEY 3		1			
011	325485-2	GEAR SHAFT		1			
012	212057-1	THRUST NEEDLE BEARING 1023		1			
013	261038-2	URETHANE WASHER 10		1			
014-1	156879-8	MOTOR HOUSING		1	*		
C10	816266-0	INDICATION LABEL		1	*		
D10		INC. 20					
014-2	154952-8	MOTOR HOUSING COMPLETE	S	1			
C10	816266-0	INDICATION LABEL		1			
D10		INC. 20					
016-1	343693-3	HOOK		1			
017	815289-5	NAME PLATE 6802BV		1			
018-1	911185-6	PAN HEAD SCREW M4X55		2			
019	156467-1	GEAR HOUSING		1			
C10	212155-1	NEEDLE BEARING 1416		1			
C20	213154-6	O RING 14		1			
020	263002-9	RUBBER PIN 4		1			
021	911261-6	PAN HEAD SCREW M5X40		1			
022	911271-3	PAN HEAD SCREW M5X50		2			
023	213363-7	O RING 23		1	*		
023-1	213404-9	O RING 27	O	1			
024-1	157842-4	GEAR HOUSING COVER COMPLETE		1			
C10	214012-9	PLANE BEARING 6		1			
D10		INC. 28					
025	261039-0	URETHANE WASHER 14		1			
026	253786-7	FLAT WASHER 14		1			
027	211033-2	BALL BEARING 608LB		1			
028	263002-9	RUBBER PIN 4		1			
029-3	241881-5	FAN 52		1			
030J_	515158-7	ARMATURE ASS'Y 220V		1			
D10		INC. 27,29,32					
031-1	413045-3	BAFFLE PLATE		1			
032	211028-5	BALL BEARING 627LB		1			
033	253192-6	FLAT WASHER 14		1			
034K_	628171-7	FIELD 220V		1			
035	643552-4	BRUSH HOLDER 5-8		2			

036	911124-6	PAN HEAD SCREW M4X14		2			
037A_	191627-8	CARBON BRUSH CB-64		1	*		
037A1	194968-1	CARBON BRUSH SET CB-64	O	1			
039J_	651247-5	SWITCH 11-12		1	*		
039J1	651256-4	SWITCH SGEL106CV-1A	O	1	*		
039J2	650226-0	SWITCH TG823AB-2	S	1			
040B_	645173-8	NOISE SUPPRESSOR		1	*		
040B1	645253-0	NOISE SUPPRESSOR	O	1			
042A_	682502-4	CORD GUARD 8-85		1			
043D_	687031-2	STRAIN RELIEF		1			
044-1	911133-5	PAN HEAD SCREW M4X18		2			
045C_	651478-6	SWITCH VTX11		1			
046	411852-8	SWITCH COVER		1			
047	155283-8	HANDLE COVER COMPLETE		1	*		
C10	817609-9	CAUTION LABEL		1	*		
C21	816266-0	INDICATION LABEL		1	*		
047-1	154951-0	HANDLE COVER COMPLETE	S	1			
C10	817609-9	CAUTION LABEL		1			
C21	816266-0	INDICATION LABEL		1			
048	911153-9	PAN HEAD SCREW M4X28		3			
049C_	695034-2	POWER SUPPLY CORD 1.0-2-4.0		1			
400A1	784804-5	MAGNETIC SOCKET BIT 5/16-65		1			
401-3	181949-4	STEEL CARRYING CASE		1	*		
401-4	824700-6	PLASTIC CARRYING CASE	O	1			
C10	417496-2	LATCH		2			
C20	417497-0	HANDLE		1			
C30	819143-5	MAKITA LABEL		1			
500B1	122213-4	LOCATOR ASS'Y 5/16		1			
D10		INC. 1-4					
709	646047-6	CHOKE COIL		1			
710	646048-4	CHOKE COIL		1			

Please state Parts No. when your order.

Print Date 10/25/2023