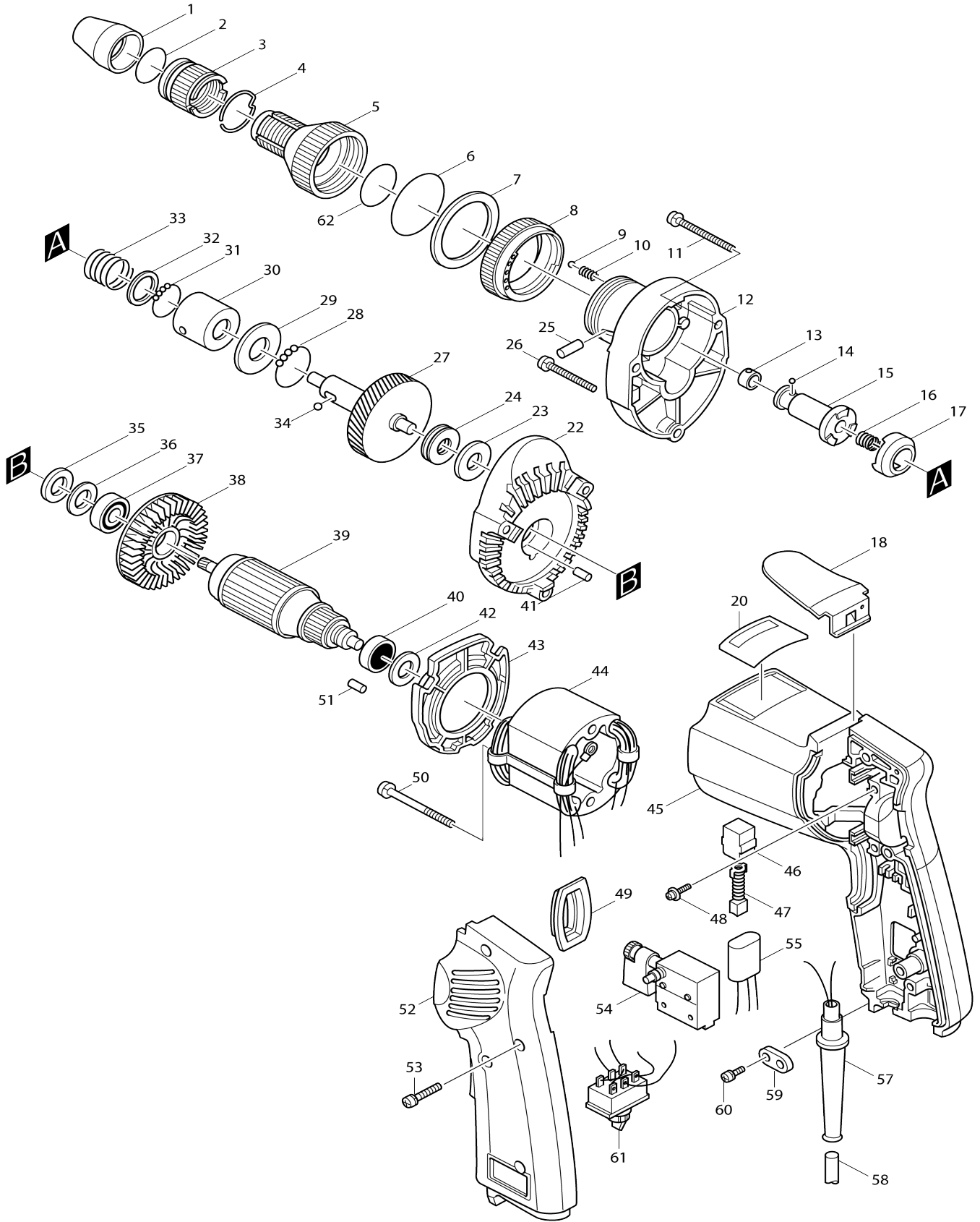


Model No.6805BV SCREWDRIVER



Model No.6805BV SCREWDRIVER

| Item No. | Parts No. | Description | Interchangeability | Q'ty | New/Old | Note1 | Note2 |
|----------|-----------|-----------------------------|--------------------|------|---------|-------|-------|
| 001A_ | 322120-3 | FRONT CAP 12 | | 1 | | | |
| 002 | 213310-8 | O RING 20 | | 1 | | | |
| 003 | 322073-6 | ADJUST SLEEVE | | 1 | | | |
| 004 | 231940-3 | RING SPRING 22 | | 1 | | | |
| 005-2 | 322188-9 | CLUTCH COVER | | 1 | | | |
| 006 | 213458-6 | O RING 34 | | 1 | | | |
| 007 | 253806-7 | FLAT WASHER 36 | | 1 | | | |
| 008 | 155923-8 | RING 36 COMPLETE | | 1 | * | | |
| C10 | 816202-6 | INDICATION LABEL | | 1 | * | | |
| 008-1 | 150764-7 | RING 36 COMPLETE | X | 1 | | | |
| C10 | 816202-6 | INDICATION LABEL | | 1 | | | |
| 009 | 216008-6 | STEEL BALL 4 | | 1 | | | |
| 010 | 231314-8 | COMPRESSION SPRING 4 | | 1 | | | |
| 011 | 911271-3 | PAN HEAD SCREW M5X50 | | 2 | | | |
| 012 | 315996-5 | GEAR HOUSING | | 1 | * | | |
| 012-1 | 316988-7 | GEAR HOUSING | X | 1 | | | |
| 013 | 232050-9 | LEAF SPRING | | 1 | | | |
| 014 | 216001-0 | STEEL BALL 3.5 | | 1 | | | |
| 015A_ | 134461-3 | SPINDLE ASS'Y | | 1 | | | |
| D10 | | INC. 13,14 | | | | | |
| 016 | 231278-6 | COMPRESSION SPRING 6 | | 1 | | | |
| 017 | 223073-8 | CLUTCH CAM | | 1 | | | |
| 018-1 | 343693-3 | HOOK | | 1 | | | |
| 020 | 855887-3 | NAME PLATE 6805BV | | 1 | | | |
| 022 | 157842-4 | GEAR HOUSING COVER COMPLETE | | 1 | | | |
| C10 | 214012-9 | PLANE BEARING 6 | | 1 | | | |
| D10 | | INC. 41 | | | | | |
| 023 | 261038-2 | URETHANE WASHER 10 | | 1 | | | |
| 024 | 212057-1 | THRUST NEEDLE BEARING 1023 | | 1 | | | |
| 025 | 256173-9 | PIN 3.5 | | 1 | * | | |
| 025-1 | 256226-4 | PIN 4 | X | 1 | | | |
| 026 | 911261-6 | PAN HEAD SCREW M5X40 | | 1 | | | |
| 027 | 153167-4 | GEAR COMPLETE | | 1 | | | |
| 028 | 216014-1 | STEEL BALL 3.2 | | 26 | | | |
| 029 | 267035-6 | FLAT WASHER 14 | | 1 | | | |
| 030 | 322072-8 | SLEEVE | | 1 | * | | |
| 030-1 | 323728-6 | SLEEVE | X | 1 | | | |
| 031 | 216014-1 | STEEL BALL 3.2 | | 16 | | | |
| 032 | 253837-6 | FLAT WASHER 14 | | 1 | | | |
| 033 | 231423-3 | COMPRESSION SPRING 13.6 | | 1 | | | |
| 034 | 216011-7 | STEEL BALL 5.6 | | 3 | | | |
| 035 | 261039-0 | URETHANE WASHER 14 | | 1 | | | |
| 036 | 253786-7 | FLAT WASHER 14 | | 1 | | | |
| 037 | 211033-2 | BALL BEARING 608LB | | 1 | | | |
| 038-2 | 241881-5 | FAN 52 | | 1 | | | |
| 039C_ | 515158-7 | ARMATURE ASS'Y 220V | | 1 | | | |
| D11 | | INC. 37,38,40 | | | | | |

| | | | | | | | |
|-----------|----------|-----------------------------|---|---|---|--|--|
| 040 | 211028-5 | BALL BEARING 627LB | | 1 | | | |
| 041 | 263002-9 | RUBBER PIN 4 | | 1 | | | |
| 042 | 253192-6 | FLAT WASHER 14 | | 1 | | | |
| 043 | 413045-3 | BAFFLE PLATE | | 1 | | | |
| 044L_ | 628171-7 | FIELD 220V | | 1 | | | |
| 045-1 | 156879-8 | MOTOR HOUSING | | 1 | * | | |
| C10 | 816266-0 | INDICATION LABEL | | 1 | * | | |
| D10 | | INC. 51 | | | | | |
| 045-2 | 154952-8 | MOTOR HOUSING COMPLETE | S | 1 | | | |
| C10 | 816266-0 | INDICATION LABEL | | 1 | | | |
| D10 | | INC. 51 | | | | | |
| 046 | 643552-4 | BRUSH HOLDER 5-8 | | 2 | | | |
| 047B_ | 191627-8 | CARBON BRUSH CB-64 | | 1 | * | | |
| 047B1 | 194968-1 | CARBON BRUSH SET CB-64 | O | 1 | | | |
| 048 | 911124-6 | PAN HEAD SCREW M4X14 | | 2 | | | |
| 049 | 411852-8 | SWITCH COVER | | 1 | | | |
| 050-1 | 911185-6 | PAN HEAD SCREW M4X55 | | 2 | | | |
| 051 | 263002-9 | RUBBER PIN 4 | | 1 | | | |
| 052 | 155283-8 | HANDLE COVER COMPLETE | | 1 | * | | |
| C10 | 817609-9 | CAUTION LABEL | | 1 | * | | |
| C20 | 816266-0 | INDICATION LABEL | | 1 | * | | |
| 052-1 | 154951-0 | HANDLE COVER COMPLETE | S | 1 | | | |
| C10 | 817609-9 | CAUTION LABEL | | 1 | | | |
| C20 | 816266-0 | INDICATION LABEL | | 1 | | | |
| 053 | 911153-9 | PAN HEAD SCREW M4X28 | | 3 | | | |
| 054H_ | 651247-5 | SWITCH 11-12 | | 1 | * | | |
| 054H 1 | 651256-4 | SWITCH SGEL106CV-1A | O | 1 | * | | |
| 054H 2 | 650226-0 | SWITCH TG823AB-2 | S | 1 | | | |
| 055B_ | 645173-8 | NOISE SUPPRESSOR | | 1 | * | | |
| 055B1 | 645253-0 | NOISE SUPPRESSOR | O | 1 | | | |
| 057A_ | 682502-4 | CORD GUARD 8-85 | | 1 | | | |
| 058K1 | 665394-6 | POWER SUPPLY CORD 1.0-2-2.5 | | 1 | | | |
| 059A1 | 687031-2 | STRAIN RELIEF | | 1 | | | |
| 060 | 911133-5 | PAN HEAD SCREW M4X18 | | 2 | | | |
| 061B_ | 651478-6 | SWITCH VTX11 | | 1 | | | |
| 062 | 213380-7 | O RING 24 | | 1 | | | |
| 400 | 784202-3 | PHILLIPS BIT 2-45 | | 1 | * | | |
| 400-1 | 784202-3 | PHILLIPS BIT 2-45 | O | 1 | * | | |
| 400-2 | 784202-3 | PHILLIPS BIT 2-45 | O | 1 | | | |
| 401-2 | 181949-4 | STEEL CARRYING CASE | | 1 | * | | |
| 401-3 | 824700-6 | PLASTIC CARRYING CASE | O | 1 | | | |
| C10 | 417496-2 | LATCH | | 2 | | | |
| C20 | 417497-0 | HANDLE | | 1 | | | |
| C30 | 819143-5 | MAKITA LABEL | | 1 | | | |
| 710 | 646047-6 | CHOKE COIL | | 1 | | | |
| 711 | 646048-4 | CHOKE COIL | | 1 | | | |
| 902 | 646325-4 | LINE COIL | | 1 | | | |

Please state Parts No. when your order.

Print Date 10/25/2023