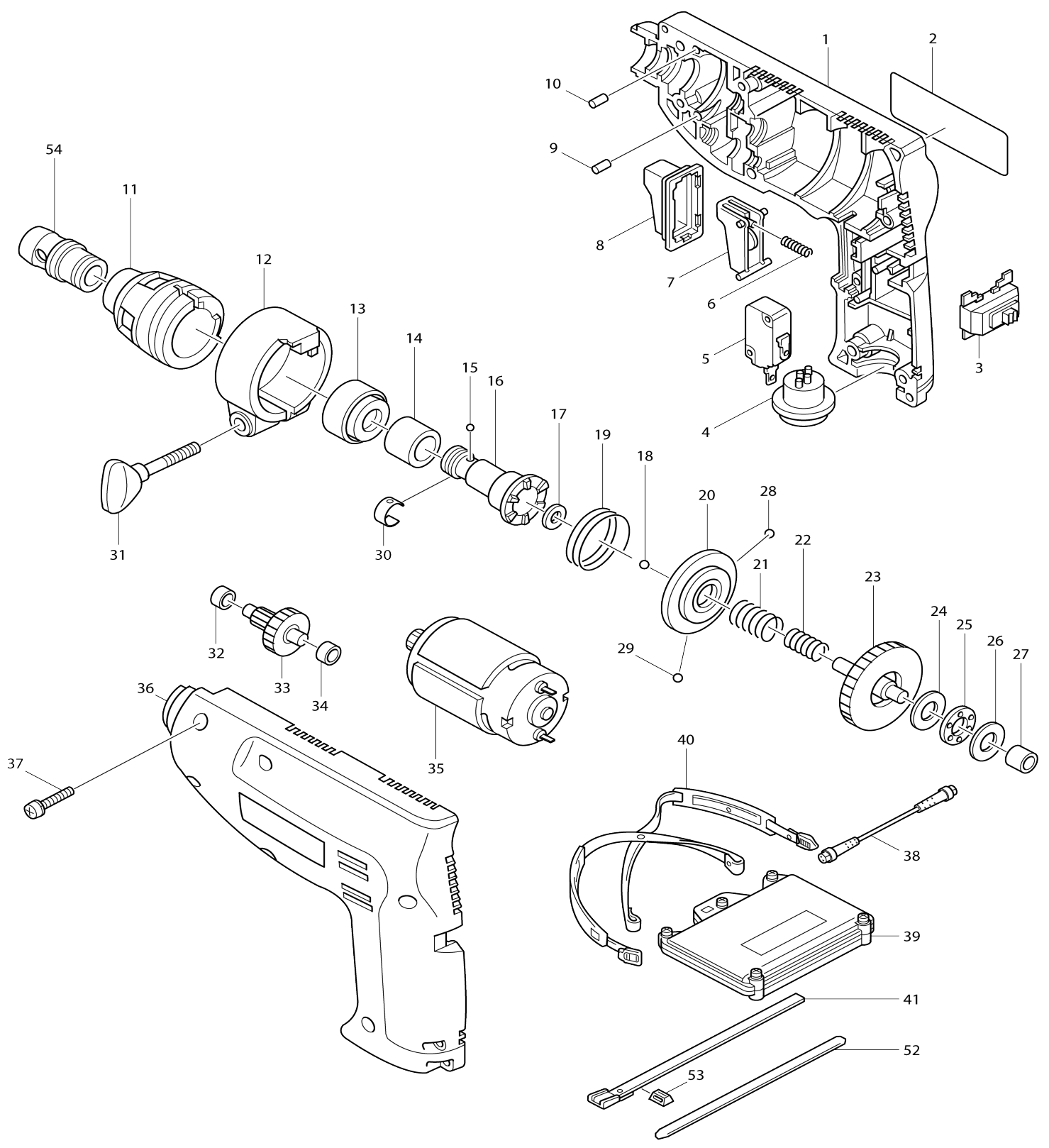


Model No.6811D BATTERY DRYWALL SCREWDRIVER



Model No.6811D BATTERY DRYWALL SCREWDRIVER

Item No.	Parts No.	Description	Interchangability	Q'ty	New/Old	Note1	Note2
001	182241-1	Housing set (blue)		1			
D10		INC. 9,10,36					
002	856351-7	Name plate 6811D		1			
003	651889-5	SWITCH C3BC-BC		1			
004	655408-9	Inlet		1			
005	651899-2	Switch V-5130E-114		1	*		
005-1	651891-8	SWITCH V-15-3A6	O	1			
006	231469-9	COMPRESSION SPRING 4		1			
007	414353-5	Switch lever		1			
008	421343-1	Dust cover (black)		1			
009	263002-9	RUBBER PIN 4		1			
010	263002-9	RUBBER PIN 4		1			
011	410908-4	LOCATOR		1	*		
011-1	415149-7	LOCATOR	X	1			
012	410907-6	LOCK RING		1			
013	421314-8	DUST RING		1			
014	214154-9	PLANE BEARING 14		1			
015	216001-0	STEEL BALL 3.5		1			
016	152348-7	Spindle complete		1			
017	267066-5	FLAT WASHER 5		1			
018	216008-6	STEEL BALL 4		1			
019	231589-9	Torsion spring 27		1			
020	223078-8	Clutch cam		1			
021	231470-4	COMPRESSION SPRING 6		1			
022	231471-2	COMPRESSION SPRING 9		1			
023	153192-5	Gear complete		1			
024	253878-2	FLAT WASHER 10		1			
025	211130-4	THRUST BALL BEARING 1018		1			
026	253878-2	FLAT WASHER 10		1			
027	214012-9	PLANE BEARING 6		1			
028	216008-6	STEEL BALL 4		1			
029	216008-6	STEEL BALL 4		1			
030	232050-9	LEAF SPRING		1			
031	251880-9	SCREW M5X33		1			
032	214017-9	PLANE BEARING 5		1			
033	226088-4	Gear complete 16-41		1			
034	214017-9	PLANE BEARING 5		1			
035-1	629616-8	DC motor		1			
C10	221882-9	SPUR GEAR 15		1			
036	182241-1	Housing set (blue)		1			
D10		INC. 1,9,10					
037	911143-2	PAN HEAD SCREW M4X22		7			
038-1	661974-6	COUPLING CORD		1			
039E1	192348-5	BATTERY 1402 SET		1	*		
C10	652590-5	OVER CURRENT RELAY		1	*		
D10		INC. 38,40,41,52,53					
039E2	192344-3	BATTERY 1402 SET	<	1			

C10	652590-5	OVER CURRENT RELAY		1		
D10		INC. 38,40,41,52,53				
040-1	163318-1	SHOULDER STRAP		1		
041-1	163315-7	WAIST BELT		1		
052	444015-1	ADJUST BELT		1		
053	414755-5	SQUARE RING		1		
054	152407-7	STOPPER COMPLETE		1		
A01-1	182387-3	Steel case set		1		
A02	784211-2	PHILLIPS INSERT BIT 2-25		1	*	
A02-1	784261-7	+BIT 2-25	O	1		
A03	784807-9	MAGNETIC CONNECT BIT 6.35-6 0		1	*	
A03-1	784811-8	MAGNETIC CONNECT BIT 6.35-6 0	O	1		

Please state Parts No. when your order.

Print Date 10/09/2023