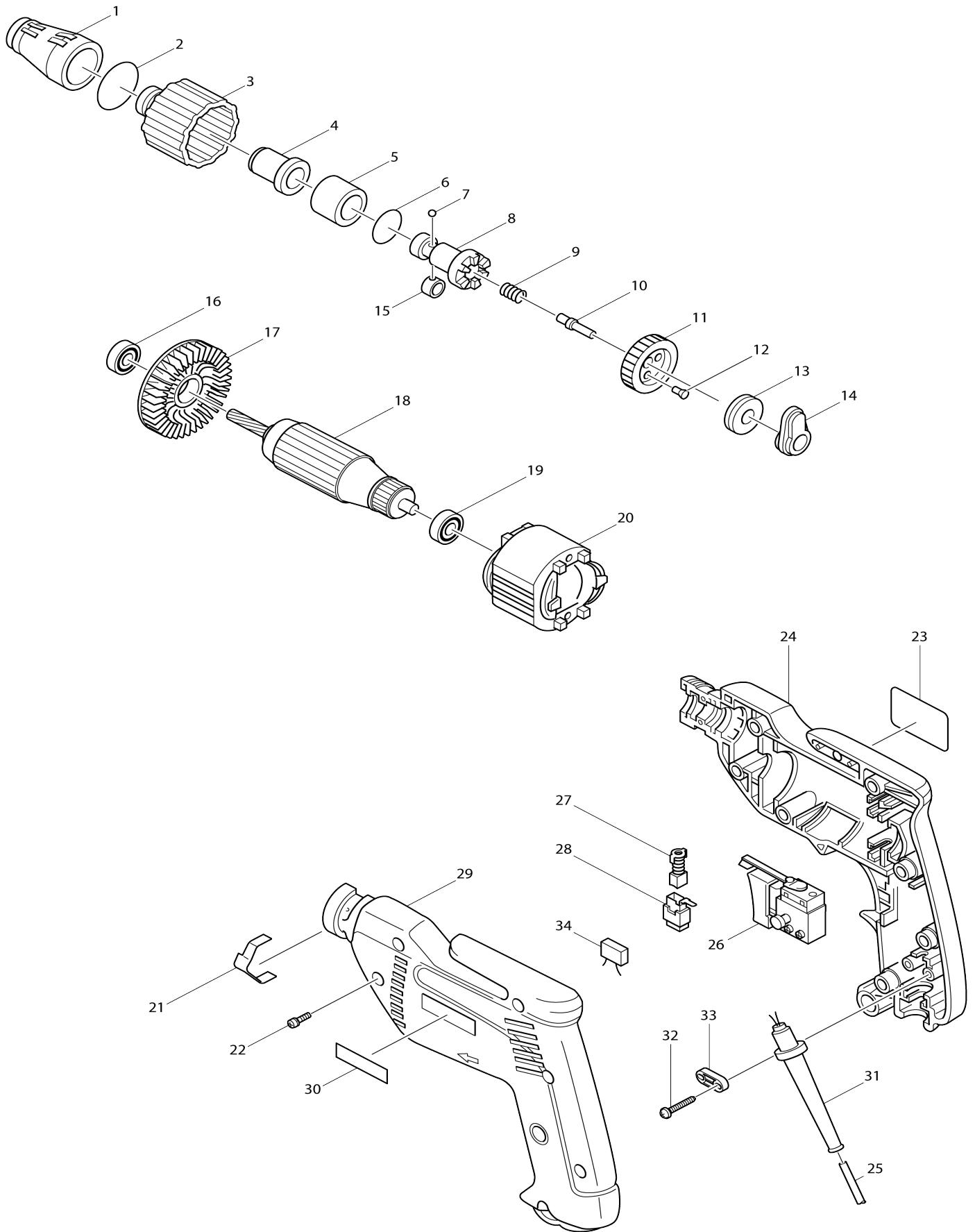


Model No.6821 DRYWALL SCREWDRIVER



Model No.6821 DRYWALL SCREWDRIVER

Item No.	Parts No.	Description	Interchangability	Q'ty	New/Old	Note1	Note2
001	152483-1	LOCATOR COMPLETE 1/4"		1			
002	213373-4	O RING 22		1			
003	415570-0	LOCK RING		1			
004	421519-0	DUST RING		1			
005	214154-9	PLANE BEARING 14		1			
006	421392-8	RING 20		1			
007	216001-0	STEEL BALL 3.5		1			
008	223107-7	SPINDLE		1			
009	233126-5	COMPRESSION SPRING 6		1			
010	256699-1	PIN 8		1			
011	226444-8	HELICAL GEAR 46		1			
012	256439-7	PIN 4		3	*		
012-1	256467-2	SHOULDER PIN 4	O	3			
013	212047-4	THRUST NEEDLE BEARING 821		1			
014	152531-6	BEARING BOX COMPLETE		1			
015	232050-9	LEAF SPRING		1			
016	211031-6	BALL BEARING 608LLB		1			
017	241881-5	FAN 52		1			
018C_	517153-3	ARMATURE ASS'Y 220V		1	*		
D10		INC. 16,17,19					
018C1	517154-1	ARMATURE ASS'Y 240V	<	1			
D10		INC. 16,17,19					
019	211028-5	BALL BEARING 627LB		1			
020C_	633323-7	FIELD 220V		1			
021	232147-4	LEAF SPRING		1			
022	911138-5	P.H.SCREW M4X20 WITH WR		9			
023	858465-8	NAME PLATE 6821		1			
024-1	182856-4	HOUSING SET		1	*		
C10	931102-0	HEX. NUT M4		9	*		
D10		INC. 29					
024-2	182856-4	HOUSING SET	X	1			
C10	931102-0	HEX. NUT M4		9			
D10		INC. 29					
025H 1	695034-2	POWER SUPPLY CORD 1.0-2-4.0		1			
026A_	651952-4	SWITCH 8653C721AD 200V-240V		1	*		
026A1	651987-5	SWITCH	X	1	*		
026A2	651987-5	SWITCH	X	1	*		
026A3	651987-5	SWITCH	O	1	*		
026A4	651986-7	SWITCH TG803TLB-1	O	1			
027A_	191962-4	CARBON BRUSH CB-419		1	*		
027A1	195015-1	CARBON BRUSH SET CB-419	O	1			
028	643923-5	BRUSH HOLDER		2	*		
028-1	643936-6	BRUSH HOLDER	O	2			
029-1	182856-4	HOUSING SET		1	*		
C10	931102-0	HEX. NUT M4		9	*		
D10		INC. 24					
029-2	182856-4	HOUSING SET	X	1			

C10	931102-0	HEX. NUT M4		9			
D10		INC. 24					
030	819063-3	MAKITA LABEL		1			
031	682502-4	CORD GUARD 8-85		1			
032	265995-6	TAPPING SCREW 4X18		2	*		
032-1	265A48-7	TAPPING SCREW 4X18	<	2			
033-1	687052-4	STRAIN RELIEF		1			
034B_	645253-0	NOISE SUPPRESSOR		1			
A01	784807-9	MAGNETIC CONNECT BIT 6.35-60		1	*		
A01-1	784811-8	MAGNETIC CONNECT BIT 6.35-60	O	1			
A02	784211-2	PHILLIPS INSERT BIT 2-25		1			
E03	654015-5	EARTH TERMINAL		1			
E04	654501-6	CONNECTOR P-1.25		1	*		
E04-1	654555-3	CONNECTOR 34130	O	1			
E05	646068-8	CHOKE COIL		1	*		
E05-1	646159-5	CHOKE COIL	O	1	*		
E05-2	646068-8	CHOKE COIL	O	1			
E06	646090-5	CHOKE COIL		1	*		
E06-1	646162-6	CHOKE COIL	O	1	*		
E06-2	646090-5	CHOKE COIL	O	1			

Please state Parts No. when your order.

Print Date 11/16/2023