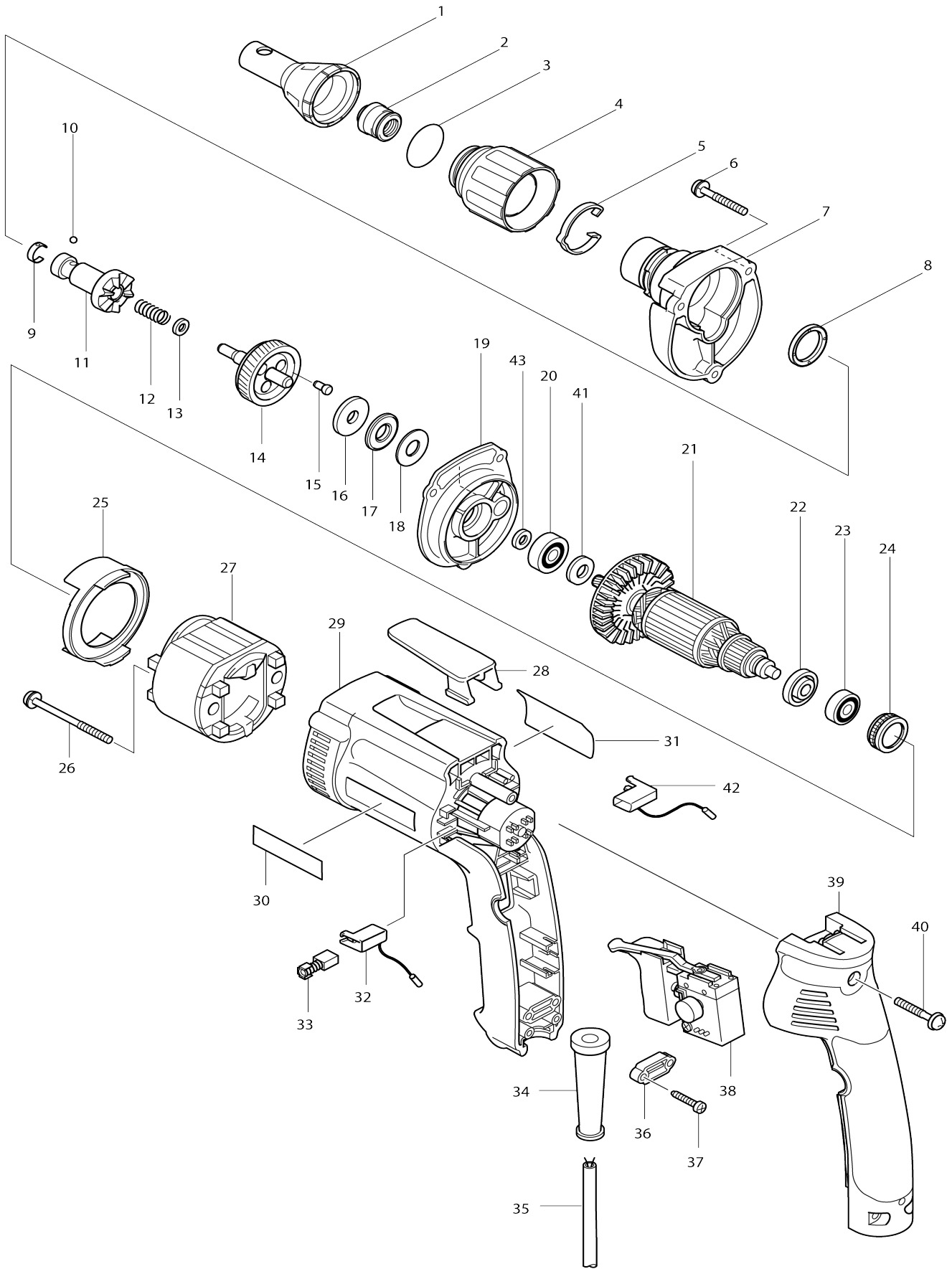


# Model No.6824 DRYWALL SCREWDRIVER



# Model No.6824 DRYWALL SCREWDRIVER

Item No.	Parts No.	Description	Interchangability	Q'ty	New/Old	Note1	Note2
001A_	151760-8	LOCATOR COMPLETE		1			
002	421631-6	DUST SEAL RING		1			
003	213373-4	O RING 22		1			
004	416994-3	LOCK RING		1	*		
004-1	455428-1	LOCK RING	O	1			
005	232154-7	LEAF SPRING		1	*		
005-1	232154-7	LEAF SPRING	<	1			
006	265999-8	TAPPING SCREW 4X25		3			
007	151720-0	GEAR HOUSING COMPLETE		1			
008	421710-0	RING 20		1	*		
008-1	421766-3	RING 20	O	1			
009	232050-9	LEAF SPRING		1			
010	216001-0	STEEL BALL 3.5		1			
011	151788-6	SPINDLE COMPLETE		1			
012	233257-0	COMPRESSION SPRING 8		1			
013	267202-3	FLAT WASHER 8		2			
014	151790-9	GEAR COMPLETE		1			
015	256439-7	PIN 4		3	*		
015-1	256467-2	SHOULDER PIN 4	O	3			
016	216213-5	WASHER 824		1			
017	216415-3	THRUST NEEDLE CAGE 821		1	*		
017-1	216415-3	THRUST NEEDLE CAGE 821	O	1			
018	216212-7	WASHER 821		1			
019	151722-6	GEAR HOUSING COVER COMPLETE		1			
020	210007-0	BALL BEARING 608VV		1			
021A_	517323-4	ARMATURE ASS'Y 220V		1			
C10	240022-0	FAN 52		1			
D10		INC. 20,22,23,41					
022	681636-0	INSULATION WASHER		1			
023	211021-9	BALL BEARING 607LLB		1			
024	421479-6	RUBBER RING 19		1			
025	416993-5	BAFFLE PLATE		1			
026	266147-2	TAPPING SCREW 4X55		2			
027A_	633443-7	FIELD 220-240V		1			
028	416996-9	HOOK		1	*		
028-1	417625-7	HOOK	X	1			
029A1	183285-4	MOTOR HOUSING		1	*		
D10		INC. 30					
029A2	188628-5	MOTOR HOUSING	S	1	*		
D10		INC. 30					
029A3	450718-7	MOTOR HOUSING	<	1			
030-1	819063-3	MAKITA LABEL		1	*		
031	851654-4	NAME PLATE 6824		1	*		
031-1	860144-6	NAME PLATE 6824	O	1			
032A_	643958-6	BRUSH HOLDER		1			
033A_	191962-4	CARBON BRUSH CB-419		1	*		
033A1	195015-1	CARBON BRUSH SET CB-419	O	1			

034	682559-5	CORD GUARD 8		1		
035K_	695034-2	POWER SUPPLY CORD 1.0-2-4.0		1		
036B_	687052-4	STRAIN RELIEF		1	*	
036B1	687124-5	STRAIN RELIEF	O	1		
037	265995-6	TAPPING SCREW 4X18		2		
038	651978-6	SWITCH C3MA-2L		1	*	
038-1	651978-6	SWITCH C3MA-2L	O	1	*	
038-2	651978-6	SWITCH C3MA-2L	O	1		
039A_	151961-8	HANDLE COVER COMPLETE		1	*	
C10	263002-9	RUBBER PIN 4		2	*	
039A1	158710-4	HANDLE COVER COMPLETE	S	1		
C10	263002-9	RUBBER PIN 4		2		
040	265999-8	TAPPING SCREW 4X25		3		
041	253139-0	FLAT WASHER 8		1		
042A_	643959-4	BRUSH HOLDER		1		
043	262087-2	RING 8		1	*	
043-1	257857-2	RING 8	<	1		
A01	784211-2	PHILLIPS INSERT BIT 2-25		1	*	
A01-1	784261-7	+BIT 2-25	O	1		
A02A_	784807-9	MAGNETIC CONNECT BIT 6.35-6 0		1	*	
A02A 1	784811-8	MAGNETIC CONNECT BIT 6.35-6 0	O	1		
E02	645253-0	NOISE SUPPRESSOR		1		
E04	645200-1	NOISE SUPPRESSOR		1		
029A_	417168-9	MOTOR HOUSING		1	*	
030	819063-3	MAKITA LABEL		1	*	
A03	824449-8	PLASTIC CARRYING CASE		1		
C10	182935-8	SLIDE LATCH (R.L) SET		1		

Please state Parts No. when your order.

Print Date 10/24/2023