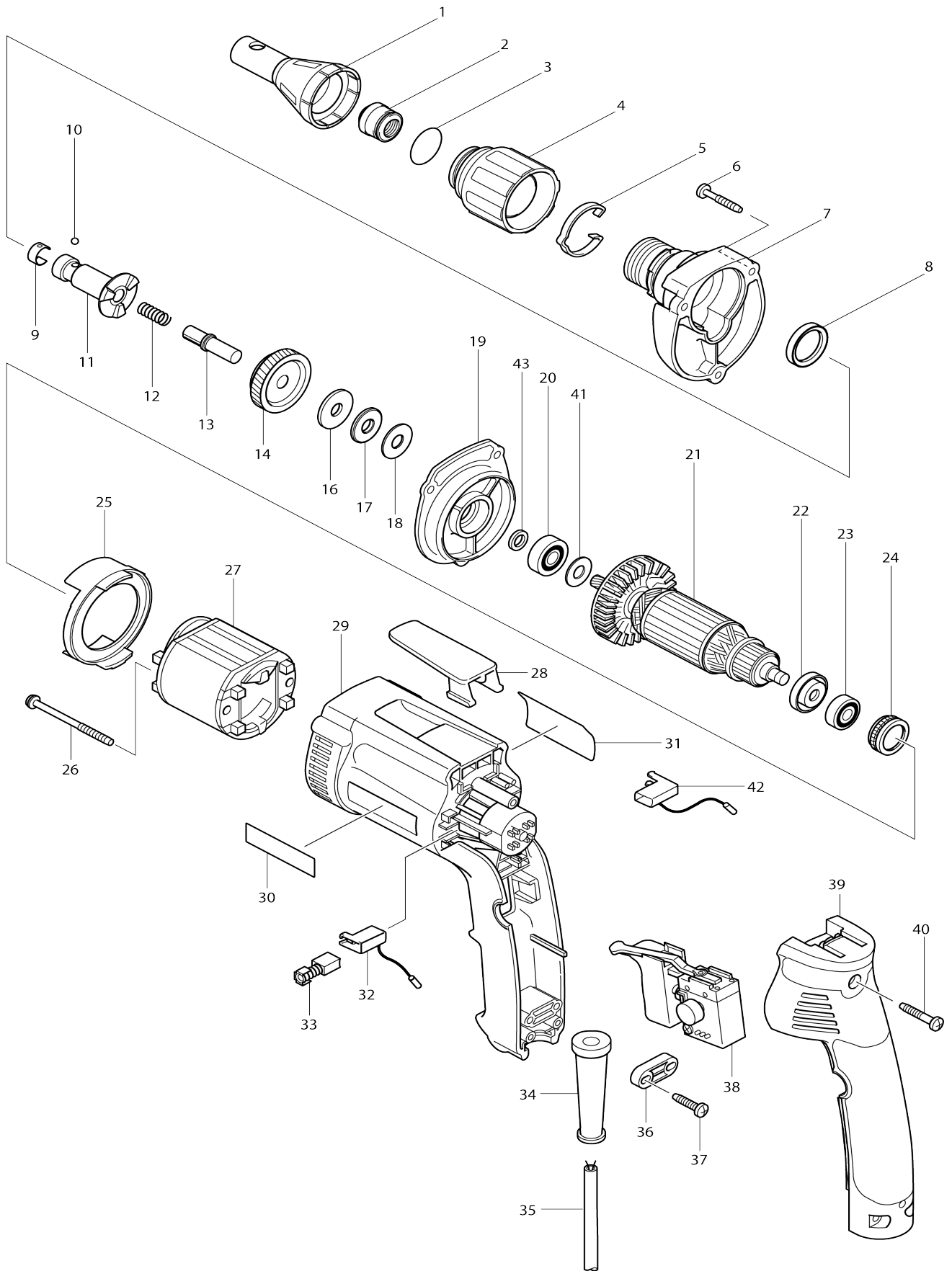


Model No.6824N DRYWALL SCREWDRIVER



Model No.6824N DRYWALL SCREWDRIVER

Item No.	Parts No.	Description	Interchangability	Q'ty	New/Old	Note1	Note2
001	151760-8	LOCATOR COMPLETE		1			
002	421631-6	DUST SEAL RING		1			
003	213373-4	O RING 22		1			
004	416994-3	LOCK RING		1	*		
004-1	455428-1	LOCK RING	O	1			
005	232154-7	LEAF SPRING		1			
006	265999-8	TAPPING SCREW 4X25		3			
007	153498-1	GEAR HOUSING COMPLETE		1			
008	421766-3	RING 20		1			
009	232050-9	LEAF SPRING		1			
010	216001-0	STEEL BALL 3.5		1			
011	324290-4	SPINDLE		1			
012	233126-5	COMPRESSION SPRING 6		1			
013	268099-3	COLLARED PIN 8		1			
014	226566-4	HELICAL GEAR 43		1			
016	216213-5	WASHER 824		1			
017	216415-3	THRUST NEEDLE CAGE 821		1	*		
017-1	216415-3	THRUST NEEDLE CAGE 821	O	1			
018	216212-7	WASHER 821		1			
019	153500-0	GEAR HOUSING COVER COMPLETE		1			
020	210007-0	BALL BEARING 608VV		1			
021	517323-4	ARMATURE ASS'Y 220V		1			
C10	240022-0	FAN 52		1			
D10		INC. 20,22,23,41					
022	681636-0	INSULATION WASHER		1			
023	211021-9	BALL BEARING 607LLB		1			
024	421479-6	RUBBER RING 19		1			
025	416993-5	BAFFLE PLATE		1			
026	266147-2	TAPPING SCREW 4X55		2			
027	633443-7	FIELD 220-240V		1			
028	417625-7	HOOK		1			
029	183285-4	MOTOR HOUSING		1	*		
D10		INC. 30					
029-1	188628-5	MOTOR HOUSING	S	1	*		
D10		INC. 30					
029-2	450718-7	MOTOR HOUSING	<	1			
030	819063-3	MAKITA LABEL		1	*		
031	850196-5	NAME PLATE 6824N		1			
032	643958-6	BRUSH HOLDER		1			
033	191962-4	CARBON BRUSH CB-419		1	*		
033-1	195015-1	CARBON BRUSH SET CB-419	O	1			
034	682559-5	CORD GUARD 8		1			
035	695034-2	POWER SUPPLY CORD 1.0-2-4.0		1			
036	687052-4	STRAIN RELIEF		1			
037	265995-6	TAPPING SCREW 4X18		2			
038	651978-6	SWITCH C3MA-2L		1			
039	151961-8	HANDLE COVER COMPLETE		1	*		

C10	263002-9	RUBBER PIN 4		2	*		
039-1	158710-4	HANDLE COVER COMPLETE	S	1			
C10	263002-9	RUBBER PIN 4		2			
040	265999-8	TAPPING SCREW 4X25		3			
041	253139-0	FLAT WASHER 8		1			
042	643959-4	BRUSH HOLDER		1			
043	262087-2	RING 8		1	*		
043-1	257857-2	RING 8	<	1			
A01	784211-2	PHILLIPS INSERT BIT 2-25		1	*		
A01-1	784261-7	+BIT 2-25	O	1			
A02	784807-9	MAGNETIC CONNECT BIT 6.35-6 0		1	*		
A02-1	784811-8	MAGNETIC CONNECT BIT 6.35-6 0	O	1			
E01	645200-1	NOISE SUPPRESSOR		1			
E02	645253-0	NOISE SUPPRESSOR		1			

Please state Parts No. when your order.

Print Date 10/24/2023