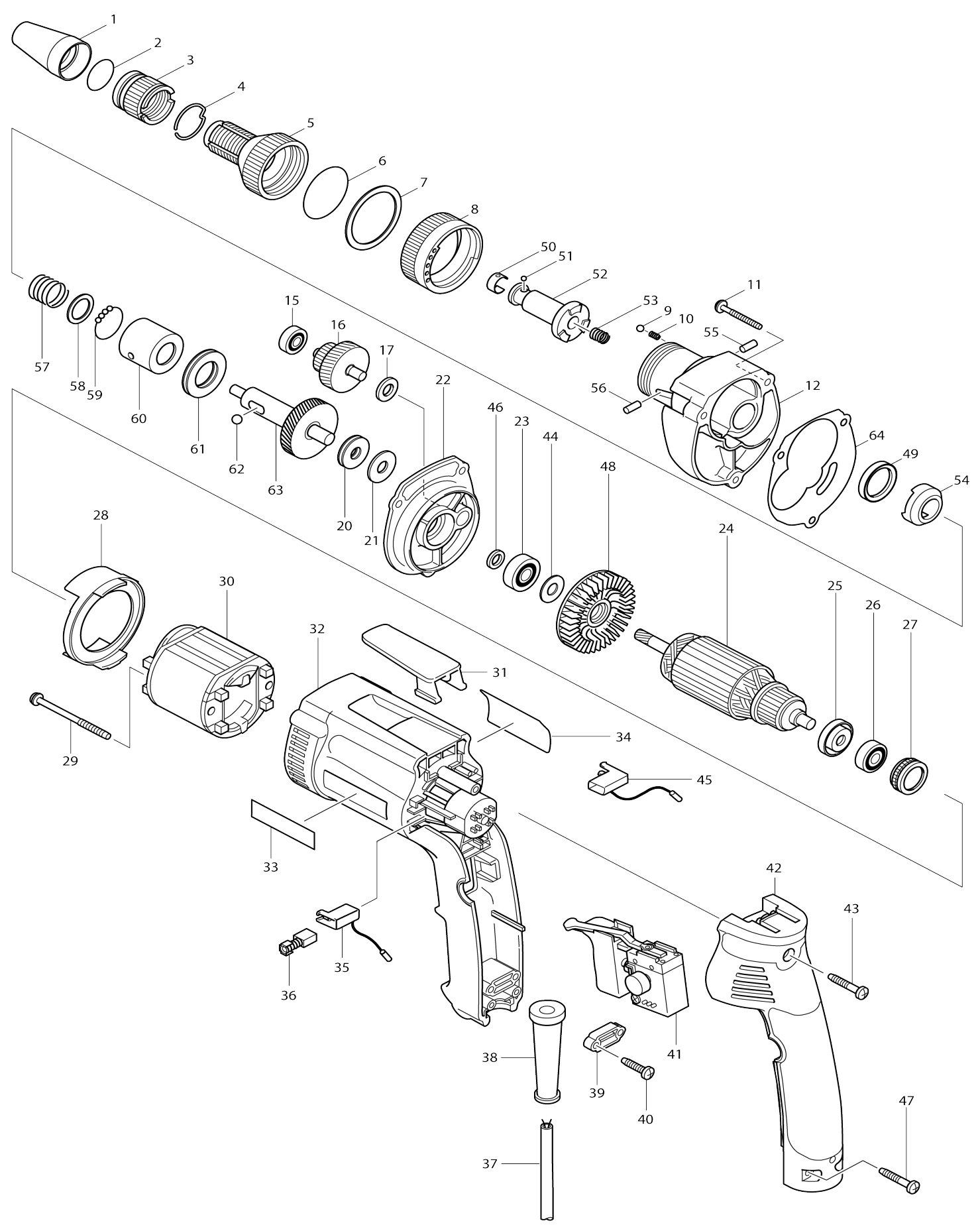


Model No.6827 SCREWDRIVER



Model No.6827 SCREWDRIVER

Item No.	Parts No.	Description	Interchangability	Q'ty	New/Old	Note1	Note2
001	322120-3	FRONT CAP 12		1			
002	213310-8	O RING 20		1			
003	322073-6	ADJUST SLEEVE		1			
004	231940-3	RING SPRING 22		1			
005	324140-3	CLUTCH COVER		1			
006	213486-1	O RING 35		1	*		
006-1	213343-3	O RING 35	O	1			
007	253806-7	FLAT WASHER 36		1			
008	152841-1	RING 36 COMPLETE		1			
009	216008-6	STEEL BALL 4		1			
010	233314-4	COMPRESSION SPRING 4		1			
011	266050-7	TAPPING SCREW 4X30		3			
012	317440-8	GEAR HOUSING		1			
015	211014-6	BALL BEARING 606		1	*		
015-1	211012-0	BALL BEARING 606ZZ	O	1			
016	226133-5	GEAR COMPLETE 17-35		1			
017	267017-8	FLAT WASHER 8		1			
020	212042-4	THRUST NEEDLE BEARING 821		1			
021	261111-8	URETHANE WASHER 8		1			
022-1	152913-2	GEAR HOUSING COVER COMPLETE		1			
C10	212004-2	NEEDLE BEARING 810		1			
C20	212016-5	NEEDLE BEARING 609		1			
023	210007-0	BALL BEARING 608VV		1			
024A_	517323-4	ARMATURE ASS'Y 220V		1			
D10		INC. 23,25,26,44,48					
025	681636-0	INSULATION WASHER		1			
026	211021-9	BALL BEARING 607LLB		1			
027	421479-6	RUBBER RING 19		1			
028	416993-5	BAFFLE PLATE		1			
029	266147-2	TAPPING SCREW 4X55		2			
030A_	633443-7	FIELD 220-240V		1			
031	417625-7	HOOK		1			
032	183285-4	MOTOR HOUSING		1	*		
D10		INC. 33					
032-1	188628-5	MOTOR HOUSING	S	1	*		
D10		INC. 33					
032-2	450718-7	MOTOR HOUSING	<	1			
033	819063-3	MAKITA LABEL		1	*		
034	852989-6	NAME PLATE 6827		1	*		
034-1	860147-0	NAME PLATE 6827	O	1			
035A_	643960-9	BRUSH HOLDER		1			
036A_	191962-4	CARBON BRUSH CB-419		1	*		
036A1	195015-1	CARBON BRUSH SET CB-419	O	1			
037D_	695034-2	POWER SUPPLY CORD 1.0-2-4.0		1			
038	682559-5	CORD GUARD 8		1			
039B_	687052-4	STRAIN RELIEF		1	*		
039B1	687124-5	STRAIN RELIEF	O	1			

040	265995-6	TAPPING SCREW 4X18		2			
041	651978-6	SWITCH C3MA-2L		1	*		
041-1	651978-6	SWITCH C3MA-2L	O	1			
042	151961-8	HANDLE COVER COMPLETE		1	*		
C10	263002-9	RUBBER PIN 4		2	*		
042-1	158710-4	HANDLE COVER COMPLETE	S	1			
C10	263002-9	RUBBER PIN 4		2			
043	265999-8	TAPPING SCREW 4X25		1			
044	253139-0	FLAT WASHER 8		1			
045A_	643961-7	BRUSH HOLDER		1			
046	262087-2	RING 8		1	*		
047	265999-8	TAPPING SCREW 4X25		2			
048	240022-0	FAN 52		1			
049	421766-3	RING 20		1			
050	232050-9	LEAF SPRING		1			
051	216001-0	STEEL BALL 3.5		1			
052	134461-3	SPINDLE ASS'Y		1			
D10		INC. 50,51					
053	231278-6	COMPRESSION SPRING 6		1			
054	223073-8	CLUTCH CAM		1			
055	256226-4	PIN 4		1	*		
055-1	268075-7	PIN 4	>	1			
056	256226-4	PIN 4		1	*		
056-1	268075-7	PIN 4	>	1			
057	231423-3	COMPRESSION SPRING 13.6		1			
058	253837-6	FLAT WASHER 14		1			
059	216014-1	STEEL BALL 3.2		16			
060	324141-1	SLEEVE		1	*		
060-1	324209-3	SLEEVE	<	1			
061	212262-0	THRUST NEEDLE BEARING 1831		1			
062	216011-7	STEEL BALL 5.6		3			
063	152840-3	GEAR COMPLETE		1			
064	442136-3	GASKET		1			
065	256157-7	PIN 3		1			
A02	824449-8	PLASTIC CARRYING CASE		1			
C10	182935-8	SLIDE LATCH (R.L) SET		1			
E01	645200-1	NOISE SUPPRESSOR		1			
E02	645253-0	NOISE SUPPRESSOR		1			
E03	654128-2	EARTH TERMINAL		1			

Please state Parts No. when your order.

Print Date 10/24/2023