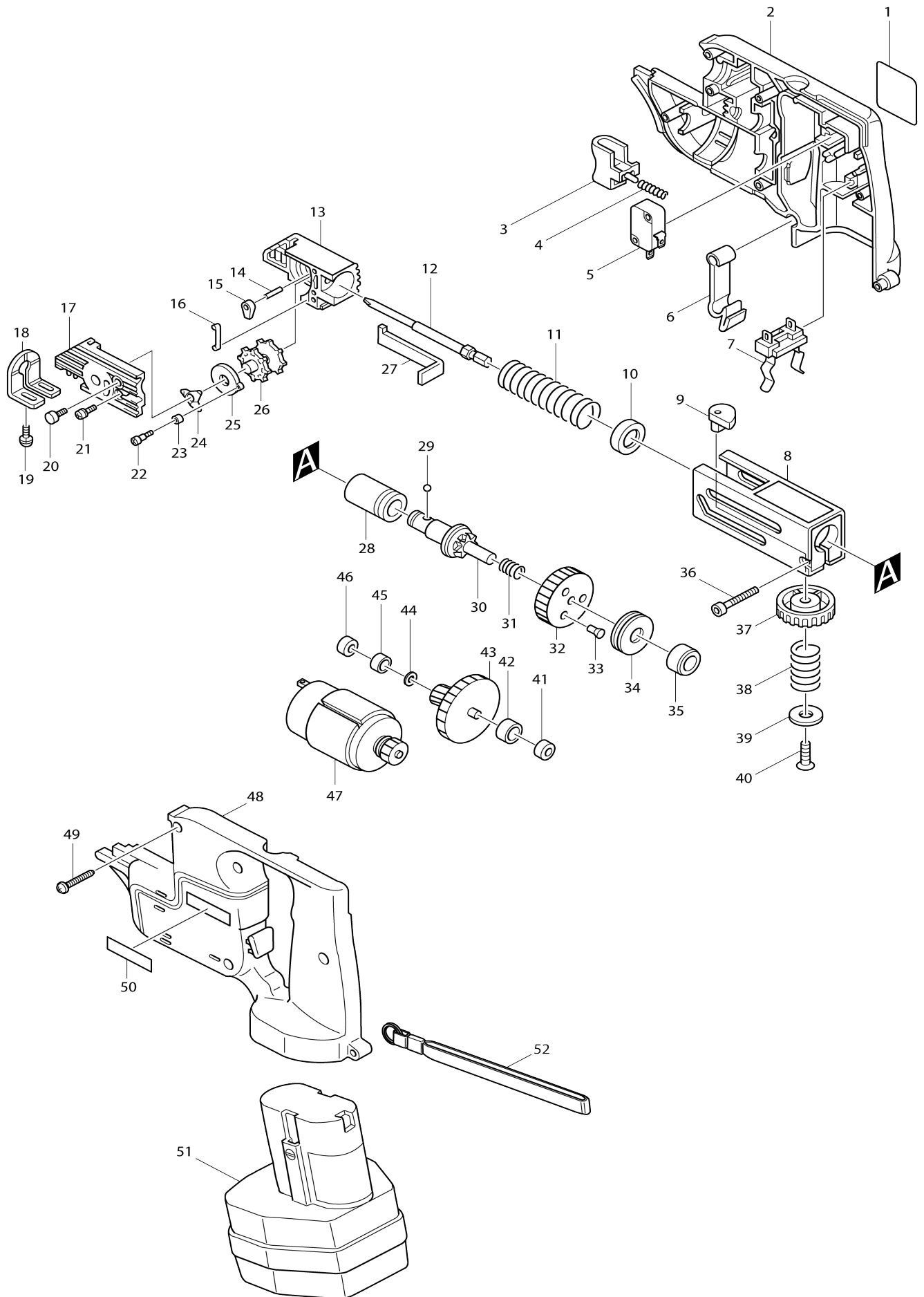


Model No.6831D CORDLESS AUTO FEED SCREWDRIVER



Model No.6831D CORDLESS AUTO FEED SCREWDRIVER

| Item No. | Parts No. | Description | Interchangeability | Q'ty | New/Old | Note1 | Note2 |
|----------|-----------|-----------------------------|--------------------|------|---------|-------|-------|
| 001 | 857635-6 | Name plate 6831D | | 1 | | | |
| 002 | 182658-8 | Housing set | | 1 | * | | |
| D10 | | INC. 48 | | | | | |
| 002-1 | 183169-6 | HOUSING SET | S | 1 | * | | |
| D10 | | INC. 48 | | | | | |
| 002-2 | 183931-9 | HOUSING SET | < | 1 | | | |
| D10 | | INC. 48,50 | | | | | |
| 003 | 415478-8 | SWITCH LEVER | | 1 | | | |
| 004 | 233105-3 | COMPRESSION SPRING 4 | | 1 | | | |
| 005 | 651891-8 | SWITCH V-15-3A6 | | 1 | | | |
| 006 | 344121-1 | SET PLATE | | 1 | * | | |
| 006-1 | 343579-1 | SET PLATE | S | 1 | | | |
| 007 | 643909-9 | BATTERY HOLDER | | 1 | | | |
| 008-2 | 150565-3 | CASING COMPLETE | | 1 | | | |
| C10 | 816269-4 | INDICATION LABEL | | 1 | | | |
| C20 | 816282-2 | INDICATION LABEL | | 1 | | | |
| 009 | 311924-8 | SHIFTER PIN | | 1 | * | | |
| 009-1 | 310008-9 | SHIFTER PIN | | 1 | | | |
| 010 | 421467-3 | DUST COVER | | 1 | | | |
| 011A_ | 233112-6 | COMPRESSION SPRING 21 | | 1 | | | |
| 012A_ | 784234-0 | PHILLIPS BIT 2-110 | | 1 | | | |
| 013A_ | 152467-9 | FEEDER BOX COMPLETE | | 1 | * | | |
| C10 | 256222-2 | PIN 3 | | 2 | * | | |
| 013A1 | 152503-1 | FEEDER BOX COMPLETE | X | 1 | | | |
| C11 | 256254-9 | PIN 3 | | 2 | | | |
| 014-1 | 256254-9 | PIN 3 | | 1 | | | |
| 015 | 311923-0 | STOPPER | | 1 | | | |
| 016 | 232132-7 | LEAF SPRING | | 1 | | | |
| 017 | 152425-5 | BOX COVER COMPLETE | | 1 | * | | |
| C10 | 256222-2 | PIN 3 | | 2 | * | | |
| 017-1 | 152502-3 | BOX COVER COMPLETE | X | 1 | | | |
| C11 | 256254-9 | PIN 3 | | 2 | | | |
| 018 | 344054-0 | STOPPER PLATE | | 1 | | | |
| 019 | 922107-1 | HEX. SOCKET HEAD BOLT M4X8 | | 2 | * | | |
| 019-1 | 922132-2 | HEX. SOCKET HEAD BOLT M4X18 | O | 2 | | | |
| 020 | 922107-1 | HEX. SOCKET HEAD BOLT M4X8 | | 2 | | | |
| 021 | 911133-5 | PAN HEAD SCREW M4X18 | | 1 | | | |
| 022 | 265036-8 | + FLAT HEAD SCREW M3X5 | | 1 | | | |
| 023 | 257664-3 | SLEEVE 4 | | 1 | | | |
| 024 | 232133-5 | LEAF SPRING | | 1 | | | |
| 025 | 311976-9 | RATCHET DISC | | 1 | | | |
| 026 | 311921-4 | RATCHET WHEEL | | 1 | | | |
| 027 | 344055-8 | PLATE | | 1 | * | | |
| 027-1 | 344308-5 | PLATE | X | 1 | | | |
| 028A_ | 214162-0 | PLANE BEARING 14 | | 1 | | | |
| 029 | 216001-0 | STEEL BALL 3.5 | | 1 | | | |
| 030A_ | 223103-5 | Spindle | | 1 | | | |

| | | | | | | |
|-------|----------|-------------------------------|---|---|---|--|
| 031 | 231434-8 | COMPRESSION SPRING 22 | | 1 | | |
| 032 | 226431-7 | Helical gear 55 | | 1 | | |
| 033 | 256439-7 | PIN 4 | | 3 | * | |
| 033-1 | 256467-2 | SHOULDER PIN 4 | O | 3 | | |
| 034 | 212042-4 | THRUST NEEDLE BEARING 821 | | 1 | | |
| 035 | 214028-4 | PLANE BEARING 8 | | 1 | | |
| 036 | 922146-1 | HEX. SOCKET HEAD BOLT M4X25 | | 1 | | |
| 037 | 415451-8 | KNOB 40 | | 1 | * | |
| 037-1 | 415829-5 | KNOB 40 | X | 1 | | |
| 038 | 233089-5 | COMPRESSION SPRING 12 | | 1 | | |
| 039 | 267117-4 | FLAT WASHER 6 | | 1 | | |
| 040 | 912117-6 | COUNTERSUNK HEAD SCREW M4 X12 | | 1 | | |
| 041 | 165115-1 | RUBBER SLEEVE 10 | | 1 | | |
| 042 | 214017-9 | PLANE BEARING 5 | | 1 | | |
| 043 | 226813-3 | GEAR COMPLETE 16-49 | | 1 | | |
| 044 | 253811-4 | FLAT WASHER 5 | | 1 | | |
| 045 | 214017-9 | PLANE BEARING 5 | | 1 | | |
| 046 | 165115-1 | RUBBER SLEEVE 10 | | 1 | | |
| 047 | 629677-8 | DC MOTOR 12V | | 1 | | |
| C10 | 213162-7 | O RING 14 | | 1 | | |
| C20 | 226287-8 | SPUR GEAR 16 | | 1 | | |
| 048 | 182658-8 | Housing set | | 1 | * | |
| D10 | | INC. 2 | | | | |
| 048-1 | 183169-6 | HOUSING SET | S | 1 | * | |
| D10 | | INC. 2 | | | | |
| 048-2 | 183931-9 | HOUSING SET | < | 1 | | |
| D10 | | INC. 2,50 | | | | |
| 049 | 265995-6 | TAPPING SCREW 4X18 | | 7 | | |
| 050 | 819080-3 | MAKITA LABEL | | 1 | | |
| 051-1 | 192536-4 | BATTERY 1202 SET | | 1 | | |
| D10 | | INC. A05 | | | | |
| 052 | 163319-9 | HAND STRAP | | 1 | * | |
| A01 | 281213-4 | HOOK | | 1 | | |
| A03 | 783201-2 | HEX. WRENCH 3 | | 1 | | |
| A04 | 824430-9 | PLASTIC CASE | | 1 | * | |
| C10 | 182935-8 | SLIDE LATCH (R.L) SET | | 1 | * | |
| A04-1 | 824551-7 | PLASTIC CARRYING CASE | < | 1 | | |
| C10 | 417075-6 | LATCH | | 2 | | |
| A05 | 414938-7 | BATTERY COVER | | 1 | | |
| A06 | 410048-8 | WRENCH HOLDER 3.4 | | 1 | | |

Please state Parts No. when your order.

Print Date 10/09/2023