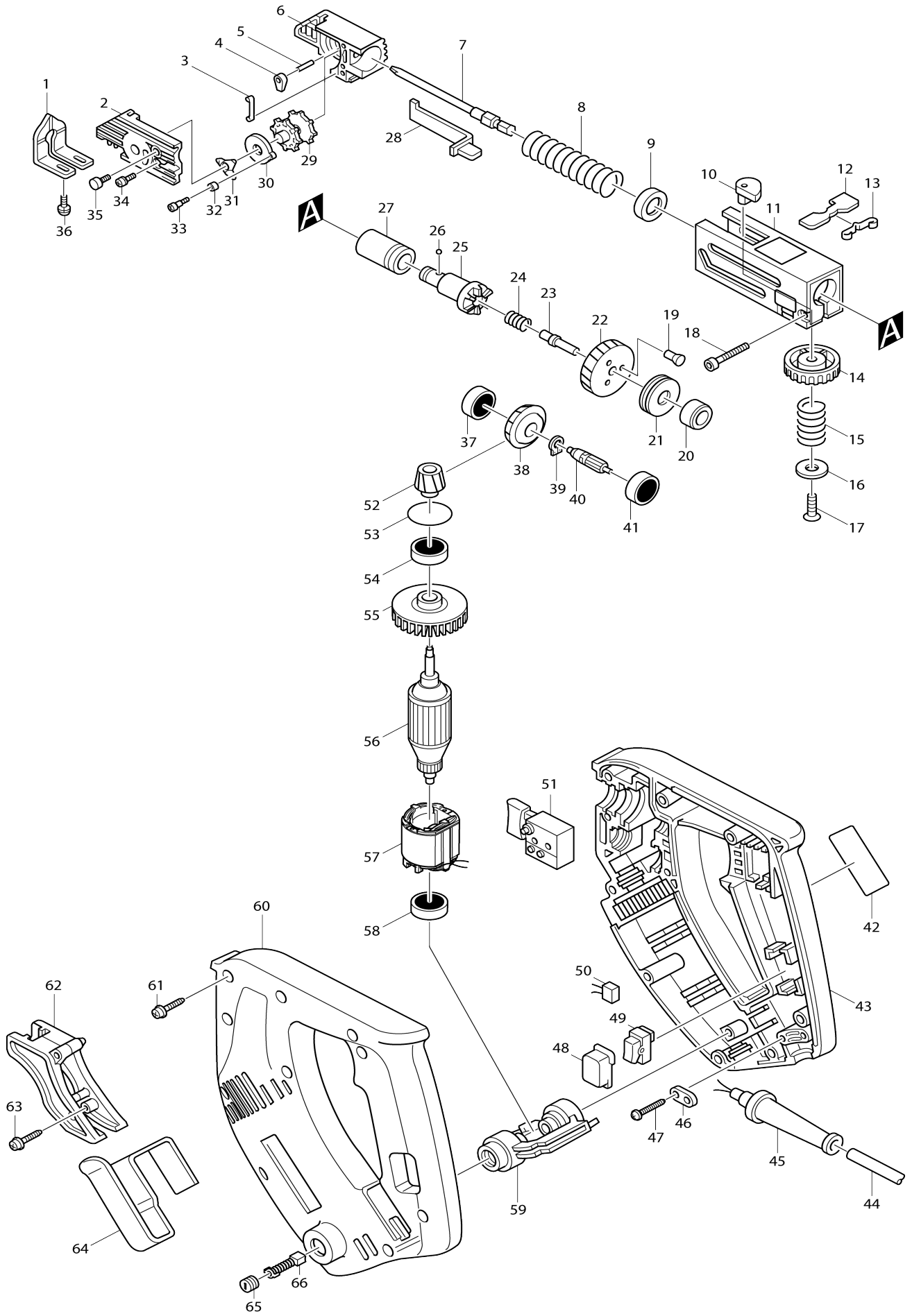


# Model No.6832 AUTO FEED SCREWDRIVER



# Model No.6832 AUTO FEED SCREWDRIVER

Item No.	Parts No.	Description	Interchangability	Q'ty	New/Old	Note1	Note2
001	344237-2	STOPPER BASE		1			
002	152425-5	BOX COVER COMPLETE		1	*		
C10	256222-2	PIN 3		2	*		
002-1	152502-3	BOX COVER COMPLETE	S	1			
C11	256254-9	PIN 3		2			
003	232132-7	LEAF SPRING		1			
004	311923-0	STOPPER		1			
005-1	256254-9	PIN 3		1			
006A_	152467-9	FEEDER BOX COMPLETE		1	*		
C10	256222-2	PIN 3		2	*		
006A1	152503-1	FEEDER BOX COMPLETE	S	1	*		
C11	256254-9	PIN 3		2	*		
006A2	152501-5	FEEDER BOX COMPLETE	S	1			
C10	256254-9	PIN 3		2			
007A_	784237-4	PHILLIPS BIT 2-127		1	*		
007A1	784247-1	+ BIT 2-127	S	1			
008A_	233141-9	COMPRESSION SPRING 21		1			
009	421467-3	DUST COVER		1			
010	310008-9	SHIFTER PIN		1			
011	150564-5	CASING COMPLETE		1			
C10	816282-2	INDICATION LABEL		1			
C20	816302-2	INDICATION LABEL		1			
C30	816303-0	INDICATION LABEL		1			
012	344306-9	SLIDE PLATE		1			
013	232152-1	LEAF SPRING		1			
014	415829-5	KNOB 40		1			
015	233089-5	COMPRESSION SPRING 12		1			
016	267117-4	FLAT WASHER 6		1			
017	912117-6	COUNTERSUNK HEAD SCREW M4 X12		1			
018	922146-1	HEX. SOCKET HEAD BOLT M4X25		1			
019	256439-7	PIN 4		3	*		
019-1	256467-2	SHOULDER PIN 4	O	3			
020	214028-4	PLANE BEARING 8		1			
021	212042-4	THRUST NEEDLE BEARING 821		1			
022	226454-5	HELICAL GEAR 59		1			
023	256699-1	PIN 8		1			
024	233126-5	COMPRESSION SPRING 6		1			
025A_	223109-3	SPINDLE		1			
026	216001-0	STEEL BALL 3.5		1			
027A_	214164-6	PLANE BEARING 14		1			
028	165154-1	PLATE		1			
029	311921-4	RATCHET WHEEL		1			
030	311976-9	RATCHET DISC		1			
031	232133-5	LEAF SPRING		1			
032	257664-3	SLEEVE 4		1			
033	265036-8	+ FLAT HEAD SCREW M3X5		1			
034	911133-5	PAN HEAD SCREW M4X18		1			

035	922107-1	HEX. SOCKET HEAD BOLT M4X8		2	*		
035-1	922132-2	HEX. SOCKET HEAD BOLT M4X18	O	2			
036	922107-1	HEX. SOCKET HEAD BOLT M4X8		2	*		
036-1	922132-2	HEX. SOCKET HEAD BOLT M4X18	X	2			
037	211014-6	BALL BEARING 606		1			
038	226705-6	SPIRAL BEVEL GEAR 22		1			
039	961005-4	RETAINING RING S-9		1			
040	226455-3	HELICAL GEAR 9		1			
041	211014-6	BALL BEARING 606		1			
042	857939-6	NAME PLATE 6832		1			
043	182601-7	HOUSING SET		1			
D10		INC. 60,67					
044L_	665394-6	POWER SUPPLY CORD 1.0-2-2.5		1			
045A_	682502-4	CORD GUARD 8-85		1			
046A1	687052-4	STRAIN RELIEF		1			
047	265995-6	TAPPING SCREW 4X18		2			
048	421460-7	DUST COVER		1	*		
048-1	421621-9	DUST COVER	O	1			
049	651556-2	SWITCH VLX11		1			
050B_	645173-8	NOISE SUPPRESSOR		1			
051A_	651272-6	SWITCH SGEL106CV-1		1			
052	226704-8	SPIRAL BEVEL GEAR 15		1			
053	213008-7	O RING 22.4		1	*		
053-1	213380-7	O RING 24	<	1			
054	211061-7	BALL BEARING 6000LLB		1			
055	241869-5	FAN 55		1			
056C_	517063-4	ARMATURE ASS'Y 220V		1			
D10		INC. 54,55,58					
057C_	633258-2	FIELD 220V		1			
058	211026-9	BALL BEARING 627LLB		1	*		
058-1	210025-8	BALL BEARING 627LLB	O	1			
059	152433-6	HOLDER ARM CPMPLETE		1			
C10	643917-0	BRUSH HOLDER		2	*		
C11	643932-4	BRUSH HOLDER 6X9	O	2			
060	182601-7	HOUSING SET		1			
D10		INC. 43,67					
061-1	266045-0	TAPPING SCREW 4X20		10			
062	415352-0	SCREW GUIDE		1			
063-1	266045-0	TAPPING SCREW 4X20		1			
064	344056-6	HOOK		1			
065	643550-8	BRUSH HOLDER CAP 5-8		2			
066A_	191940-4	CARBON BRUSH CB-411		1	*		
066A1	195010-1	CARBON BRUSH SET CB-411	O	1			
067	819063-3	MAKITA LABEL		1			
A01	344054-0	STOPPER PLATE		1			
A02	922107-1	HEX. SOCKET HEAD BOLT M4X8		1			
A04	783201-2	HEX. WRENCH 3		1			
A05	410048-8	WRENCH HOLDER 3.4		1			
A06	824421-0	PLASTIC CARRYING CASE		1			
C10	182935-8	SLIDE LATCH (R.L) SET		1			
B01A_	182859-8	CASING SET		1	*		

D10		INC. 1-5,6A,8A,10-18,28-36					
B01A 1	188319-8	CASING SET	S	1			
D10		INC. 1-5,6A,8A,10-18,28-36					
B02A_	182858-0	FEEDER BOX SET		1			
D10		INC. 2,3-5,6,29-35					

Please state Parts No. when your order.

Print Date 10/09/2023