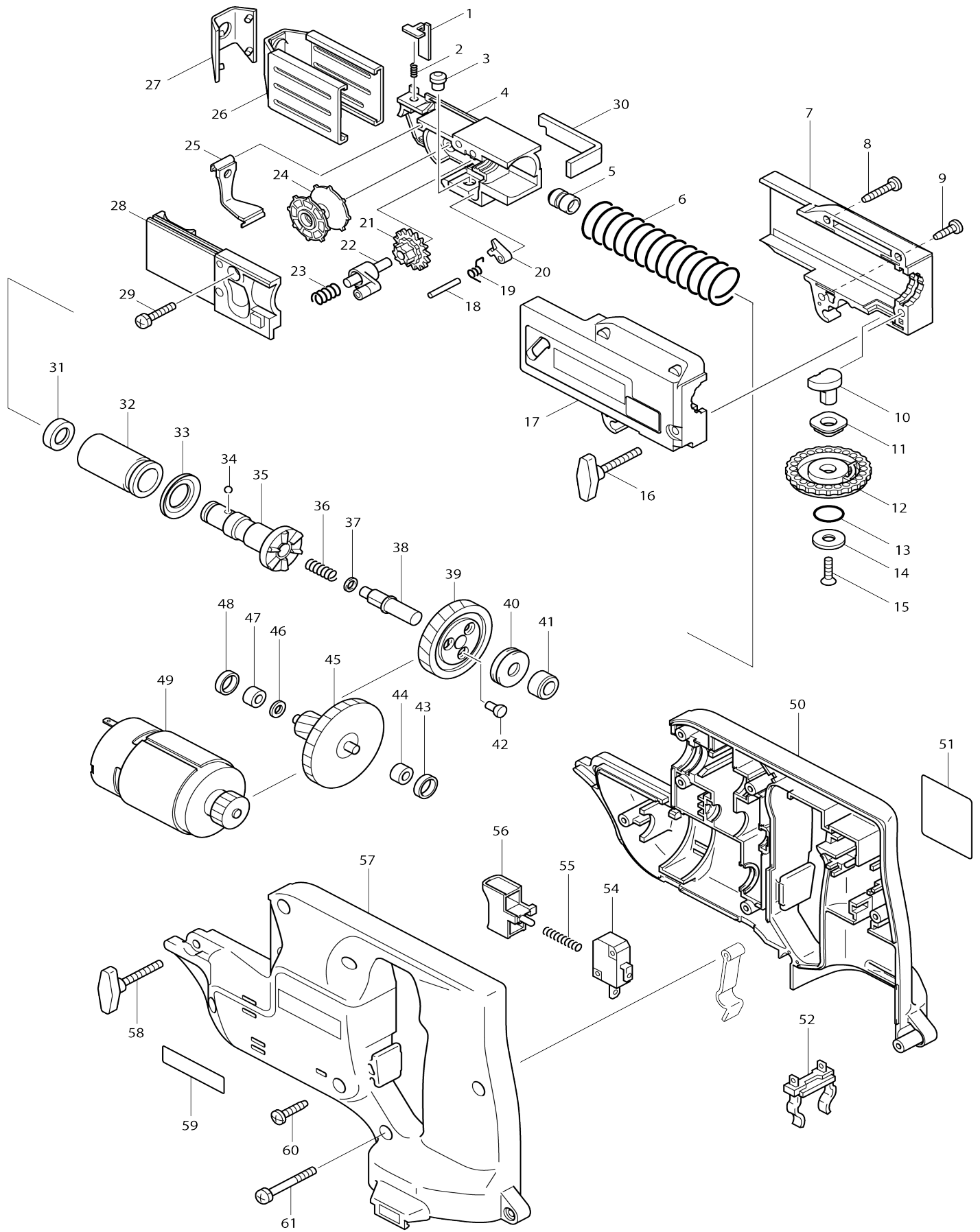


Model No.6835D CORDLESS AUTO FEED SCREWDRIVER



Model No.6835D CORDLESS AUTO FEED SCREWDRIVER

Item No.	Parts No.	Description	Interchangeability	Q'ty	New/Old	Note1	Note2
001	344625-3	LEVER		1			
002	233211-4	COMPRESSION SPRING 2		1			
003	256451-7	PIN 6		1			
004	416500-4	FEEDER BOX		1	*		
004-1	412962-4	FEEDER BOX	<	1			
005A_	257687-1	SLEEVE 5		1	*		
005A1	257685-5	SLEEVE 5	S	1			
006	233209-1	COMPRESSION SPRING 21		1			
007	182994-2	CASING SET		1	*		
C10	818553-3	INDICATION LABEL		1	*		
C20	816282-2	INDICATION LABEL		1	*		
C30	818843-4	INDICATION LABEL		1	*		
D10		INC. 17					
007-1	188211-8	CASING SET	S	1			
C10	818553-3	INDICATION LABEL		1			
C20	816282-2	INDICATION LABEL		1			
C30	804948-6	INDICATION LABEL		1			
D10		INC. 17					
008	266045-0	TAPPING SCREW 4X20		2			
009	266020-6	TAPPING SCREW 4X12		1			
010	310091-6	SHIFTER PIN		1			
011	257686-3	SLEEVE 8		1			
012	417056-0	DIAL 42		1			
013	213105-9	O RING 11		1			
014	267201-5	FLAT WASHER 6		1			
015	912117-6	COUNTERSUNK HEAD SCREW M4 X12		1			
016	265732-8	SCREW M4X28		1	*		
016-1	265778-4	THUMB SCREW M4X28	<	1	*		
016-2	265779-2	THUMB SCREW M4X28	<	1			
017	182994-2	CASING SET		1	*		
C10	818553-3	INDICATION LABEL		1	*		
C20	816282-2	INDICATION LABEL		1	*		
C30	818843-4	INDICATION LABEL		1	*		
D10		INC. 7					
017-1	188211-8	CASING SET	S	1			
C10	818553-3	INDICATION LABEL		1			
C20	816282-2	INDICATION LABEL		1			
C30	804948-6	INDICATION LABEL		1			
D10		INC. 7					
018	256158-5	PIN 3		1			
019	231636-6	TORSION SPRING 4		1			
020	310062-3	STOPPER		1			
021	226344-2	SPUR GEAR 16		1			
022	152580-3	RATCHET ARM COMPLETE		1			
023	233212-2	COMPRESSION SPRING 6		1			
024	416518-5	WHEEL		1			
025	162201-9	DUST COVER		1	*		

025-1	162934-6	DUST COVER	>	1			
026	344628-7	STOPPER BASE		1			
027	421617-0	CAP		1			
028	152581-1	BOX COVER COMPLETE		1			
029	911133-5	PAN HEAD SCREW M4X18		1			
030	344626-1	PLATE		1			
031	421467-3	DUST COVER		1			
032A_	214168-8	PLANE BEARING 14		1			
033	421618-8	RING 15		1			
034	216001-0	STEEL BALL 3.5		1			
035A_	323765-0	SPINDLE		1	*		
035A1	153741-8	SPINDLE COMPLETE	S	1			
036	233096-8	COMPRESSION SPRING 5		1	*		
036-1	233393-2	COMPRESSION SPRING 8	S	1			
037	267184-9	FLAT WASHER 6		1	*		
037-1	267277-2	FLAT WASHER 8	S	2			
038	268032-5	PIN		1	*		
039	226485-4	HELICAL GEAR 55		1	*		
039-1	153275-1	GEAR COMPLETE	X	1	*		
039-2	152997-0	GEAR COMPLETE	S	1	*		
039-3	153737-9	GEAR COMPLETE	S	1			
040	212042-4	THRUST NEEDLE BEARING 821		1			
041	214028-4	PLANE BEARING 8		1			
042	256439-7	PIN 4		3	*		
042-1	256467-2	SHOULDER PIN 4	S	3			
043	165115-1	RUBBER SLEEVE 10		1			
044	214017-9	PLANE BEARING 5		1			
045	226813-3	GEAR COMPLETE 16-49		1			
046	253811-4	FLAT WASHER 5		1			
047	214017-9	PLANE BEARING 5		1			
048	165115-1	RUBBER SLEEVE 10		1			
049	629677-8	DC MOTOR 12V		1			
C10	226287-8	SPUR GEAR 16		1			
C20	213162-7	O RING 14		1			
050	183169-6	HOUSING SET		1	*		
D10		INC. 57					
050-1	183931-9	HOUSING SET	<	1			
D10		INC. 57,59					
051	851897-8	NAME PLATE 6835D		1			
052	643909-9	BATTERY HOLDER		1			
054	651891-8	SWITCH V-15-3A6		1			
055	233105-3	COMPRESSION SPRING 4		1			
056	415478-8	SWITCH LEVER		1			
057	183169-6	HOUSING SET		1	*		
D10		INC. 50					
057-1	183931-9	HOUSING SET	<	1			
D10		INC. 50,59					
058	265732-8	SCREW M4X28		1	*		
058-1	265778-4	THUMB SCREW M4X28	<	1	*		
058-2	265779-2	THUMB SCREW M4X28	<	1			
059	819080-3	MAKITA LABEL		1			

060	265995-6	TAPPING SCREW 4X18		7		
061	911143-2	PAN HEAD SCREW M4X22		1		
A01	281213-4	HOOK		1		
A02	343579-1	SET PLATE		1	*	
A03	414938-7	BATTERY COVER		1		
A04A_	784237-4	PHILLIPS BIT 2-127		3	*	
A04A 1	784247-1	+ BIT 2-127	S	3		
A05	824551-7	PLASTIC CARRYING CASE		1		
C10	417075-6	LATCH		2		
A06	192597-4	BATTERY 1222 SET		1		
B02	152676-0	STOPPER BASE COMPLETE		1		
A06A_	192698-8	BATTERY 1233 SET		1	*	
A06A 1	192698-8	BATTERY 1233 SET	O	1		
A06B_	193100-4	BATTERY 1234 SET		1	*	
A06B 1	193100-4	BATTERY 1234 SET	O	1		

Please state Parts No. when your order.

Print Date 10/09/2023