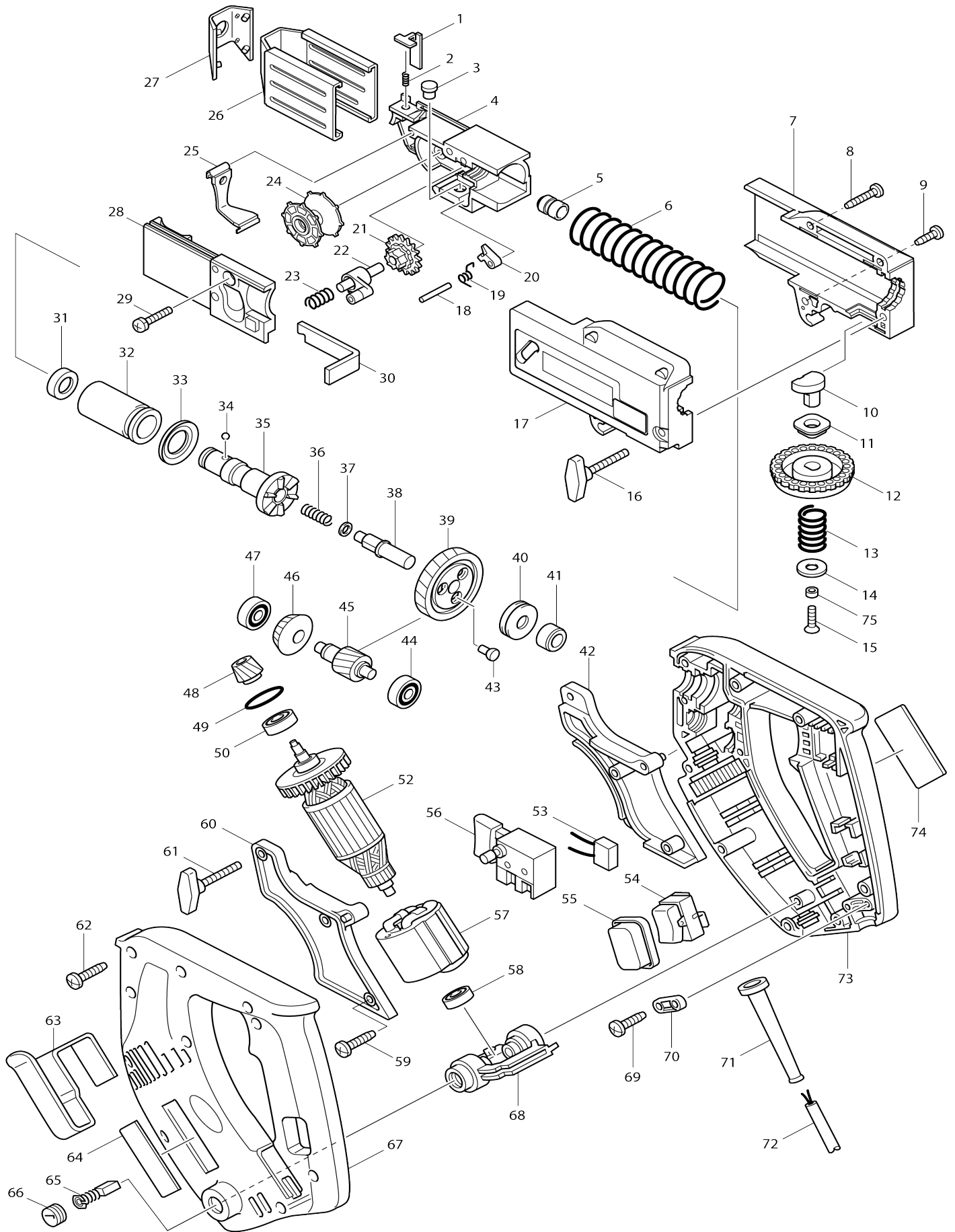


# Model No.6836 AUTO FEED SCREWDRIVER



Model No.6836 AUTO FEED SCREWDRIVER

Item No.	Parts No.	Description	Interchangeability	Q'ty	New/Old	Note1	Note2
001	344625-3	LEVER		1			
002	233211-4	COMPRESSION SPRING 2		1			
003	256451-7	PIN 6		1			
004-1	416500-4	FEEDER BOX		1	*		
004-2	412962-4	FEEDER BOX	<	1			
005	257687-1	SLEEVE 5		1	*		
005-1	257685-5	SLEEVE 5	S	1			
006	233209-1	COMPRESSION SPRING 21		1			
007	182994-2	CASING SET		1	*		
C10	816282-2	INDICATION LABEL		1	*		
C20	818843-4	INDICATION LABEL		1	*		
C30	818553-3	INDICATION LABEL		1	*		
D10		INC. 17					
007-1	188211-8	CASING SET	S	1			
C10	816282-2	INDICATION LABEL		1			
C20	804948-6	INDICATION LABEL		1			
C30	818553-3	INDICATION LABEL		1			
D10		INC. 17					
008	266045-0	TAPPING SCREW 4X20		2			
009	266020-6	TAPPING SCREW 4X12		1			
010	310091-6	SHIFTER PIN		1			
011	257686-3	SLEEVE 8		1			
012	417056-0	DIAL 42		1			
013	213105-9	O RING 11		1			
014	267201-5	FLAT WASHER 6		1			
015	912117-6	COUNTERSUNK HEAD SCREW M4 X12		1			
016	265732-8	SCREW M4X28		1	*		
016-1	265778-4	THUMB SCREW M4X28	<	1	*		
016-2	265779-2	THUMB SCREW M4X28	<	1			
017	182994-2	CASING SET		1	*		
C10	816282-2	INDICATION LABEL		1	*		
C20	818843-4	INDICATION LABEL		1	*		
C30	818553-3	INDICATION LABEL		1	*		
D10		INC. 7					
017-1	188211-8	CASING SET	S	1			
C10	816282-2	INDICATION LABEL		1			
C20	804948-6	INDICATION LABEL		1			
C30	818553-3	INDICATION LABEL		1			
D10		INC. 7					
018	256158-5	PIN 3		1			
019	231636-6	TORSION SPRING 4		1			
020	310062-3	STOPPER		1			
021	226344-2	SPUR GEAR 16		1			
022	152580-3	RATCHET ARM COMPLETE		1			
023	233212-2	COMPRESSION SPRING 6		1			
024	416518-5	WHEEL		1			
025	162201-9	DUST COVER		1	*		

025-1	162934-6	DUST COVER	>	1			
026	344628-7	STOPPER BASE		1			
027	421617-0	CAP		1			
028	152581-1	BOX COVER COMPLETE		1			
029	911133-5	PAN HEAD SCREW M4X18		1			
030	344626-1	PLATE		1			
031	421467-3	DUST COVER		1			
032	214168-8	PLANE BEARING 14		1			
033	421618-8	RING 15		1			
034	216001-0	STEEL BALL 3.5		1			
035	323765-0	SPINDLE		1	*		
035-1	153741-8	SPINDLE COMPLETE	S	1			
036	233096-8	COMPRESSION SPRING 5		1	*		
036-1	233393-2	COMPRESSION SPRING 8	S	1			
037	267184-9	FLAT WASHER 6		1	*		
037-1	267277-2	FLAT WASHER 8	S	2			
039	152998-8	GEAR COMPLETE		1	*		
039-1	153736-1	GEAR COMPLETE	S	1	*		
039-2	153761-2	GEAR COMPLETE	O	1			
040	212042-4	THRUST NEEDLE BEARING 821		1			
041	214028-4	PLANE BEARING 8		1			
042	182984-5	SCREW GUIDE SET		1			
D10		INC. 60					
043	256467-2	SHOULDER PIN 4		3	*		
043-1	256479-5	SHOULDER PIN 4	<	3			
044	211014-6	BALL BEARING 606		1			
045	226524-0	HELICAL GEAR 17		1			
046	226705-6	SPIRAL BEVEL GEAR 22		1			
047	211014-6	BALL BEARING 606		1			
048	226704-8	SPIRAL BEVEL GEAR 15		1			
049	213008-7	O RING 22.4		1	*		
049-1	213380-7	O RING 24	<	1			
050	211061-7	BALL BEARING 6000LLB		1			
052	517063-4	ARMATURE ASS'Y 220V		1			
D10		INC. 50,58					
053	645253-0	NOISE SUPPRESSOR		1			
054	651569-3	SWITCH VLX13		1			
055	421621-9	DUST COVER		1			
056	651283-1	SWITCH SGEL208C		1			
057	633258-2	FIELD 220V		1			
058	210025-8	BALL BEARING 627LLB		1			
059	266045-0	TAPPING SCREW 4X20		2			
060	182984-5	SCREW GUIDE SET		1			
D10		INC. 42					
061	265732-8	SCREW M4X28		1	*		
061-1	265778-4	THUMB SCREW M4X28	<	1	*		
061-2	265779-2	THUMB SCREW M4X28	<	1			
062	266045-0	TAPPING SCREW 4X20		10			
063	344056-6	HOOK		1			
064	819063-3	MAKITA LABEL		1			
065	191940-4	CARBON BRUSH CB-411		1	*		

065-1	195010-1	CARBON BRUSH SET CB-411	O	1		
066	643550-8	BRUSH HOLDER CAP 5-8		2		
067	183173-5	HOUSING SET		1	*	
C10	812532-3	INDICATION LABEL		1	*	
D10		INC. 64,73				
067-1	183173-5	HOUSING SET	O	1		
C10	812552-7	INDICATION LABEL		1		
D10		INC. 64,73				
068	152433-6	HOLDER ARM CPMPLETE		1		
C10	643932-4	BRUSH HOLDER 6X9		2		
069	265995-6	TAPPING SCREW 4X18		2		
070	687052-4	STRAIN RELIEF		1		
071	682559-5	CORD GUARD 8		1		
072	695034-2	POWER SUPPLY CORD 1.0-2-4.0		1		
073	183173-5	HOUSING SET		1	*	
C10	812532-3	INDICATION LABEL		1	*	
D10		INC. 64,67				
073-1	183173-5	HOUSING SET	O	1		
C10	812552-7	INDICATION LABEL		1		
D10		INC. 64,67				
074	860159-3	NAME PLATE 6836		1		
A01	784237-4	PHILLIPS BIT 2-127		3	*	
A01-1	784247-1	+ BIT 2-127	S	3		
A02	824421-0	PLASTIC CARRYING CASE		1		
C10	182935-8	SLIDE LATCH (R.L) SET		1		
B01	193025-2	CASING ASS'Y		1	*	
D10		INC. B02,6-17,30				
B01-1	194382-1	CASING SET	S	1		
D10		INC. B02,6-17,30				
B02	192854-0	FEEDER BOX ASS'Y		1	*	
D10		INC. 1-5,18-29				
B02-1	192853-2	FEEDER BOX ASS'Y	S	1		
D10		INC. 1-5,18-29				
B03	152676-0	STOPPER BASE COMPLETE		1		
D10		INC. 26,27				
E01	646049-2	CHOKE COIL		1		
E02	646050-7	CHOKE COIL		1		
E03	654015-5	EARTH TERMINAL		1		

Please state Parts No. when your order.

Print Date 10/09/2023