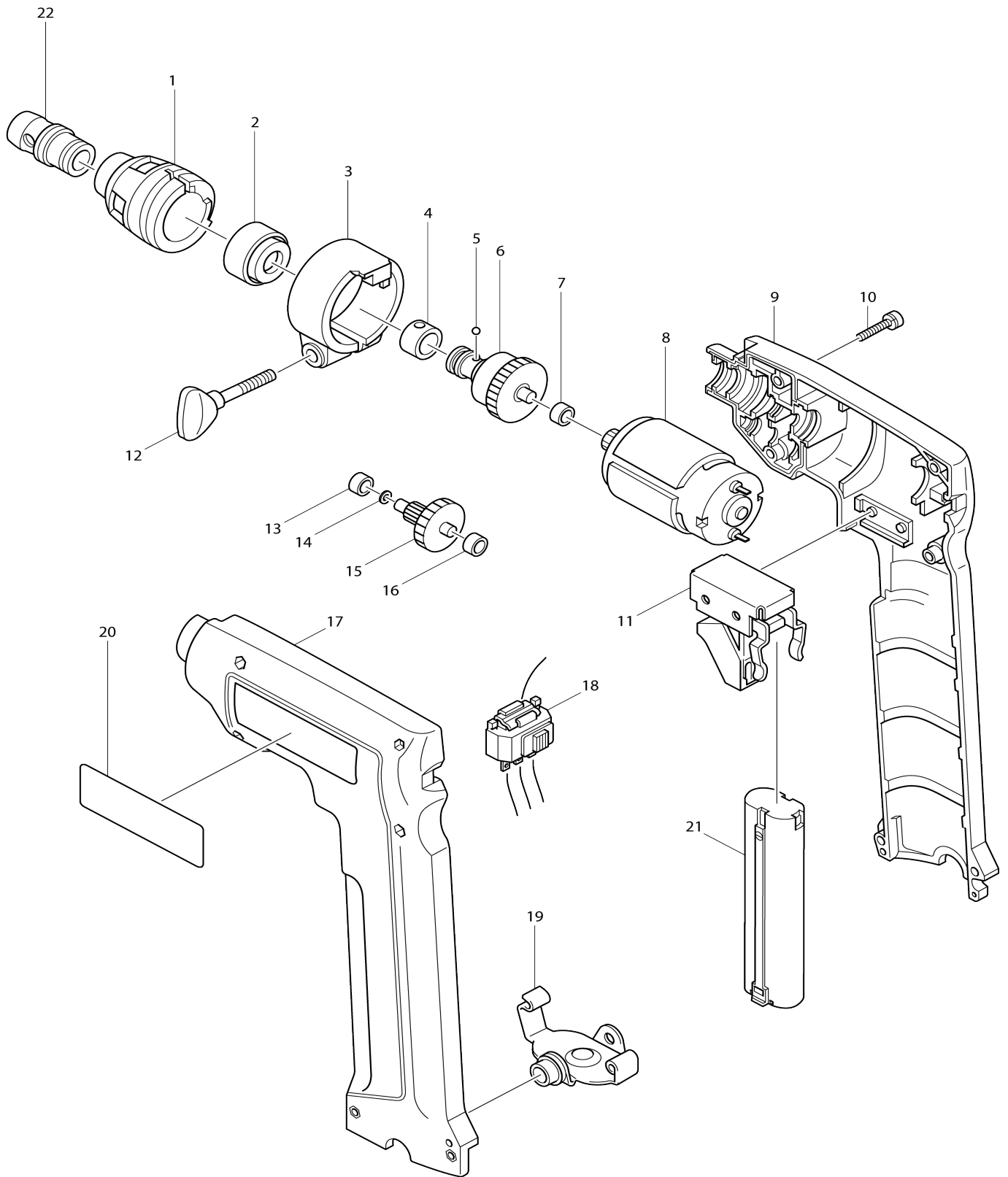


# Model No.6891D CORDLESS DRYWALL SCREWDRIVER



**Model No.6891D CORDLESS DRYWALL SCREWDRIVER**

Item No.	Parts No.	Description	Interchangeability	Q'ty	New/Old	Note1	Note2
001	410908-4	LOCATOR		1	*		
001-1	415149-7	LOCATOR	X	1			
002	421314-8	DUST RING		1			
003	410907-6	LOCK RING		1			
004	232050-9	LEAF SPRING		1			
005	216001-0	STEEL BALL 3.5		1			
006	153169-0	GEAR COMPLETE		1			
007	214017-9	PLANE BEARING 5		1			
008-1	629581-1	DC MOTOR 9.6V		1	*		
C10	221882-9	SPUR GEAR 15		1	*		
008-2	629196-4	DC MOTOR 9.6V	O	1			
C10	221882-9	SPUR GEAR 15		1			
009-1	182138-4	HOUSING SET		1			
D10		INC. 17					
010	911143-2	PAN HEAD SCREW M4X22		6			
011-2	651354-4	SWITCH C3BF-AJ		1			
012	251880-9	SCREW M5X33		1			
013	214017-9	PLANE BEARING 5		1			
014	253811-4	FLAT WASHER 5		1			
015	226075-3	GEAR COMPLETE 15-52		1			
016	214017-9	PLANE BEARING 5		1			
017-1	182138-4	HOUSING SET		1			
D10		INC. 9					
018-1	531057-5	SWITCH ASS'Y C3BC-01		1			
019	163157-9	SET PLATE		1	*		
019-1	342833-0	SET PLATE	O	1			
020	855795-8	NAME PLATE 6891D		1			
022	152407-7	STOPPER COMPLETE		1			
400	784211-2	PHILLIPS INSERT BIT 2-25		1	*		
400-1	784261-7	+BIT 2-25	O	1			
401	784807-9	MAGNETIC CONNECT BIT 6.35-60		1	*		
401-1	784811-8	MAGNETIC CONNECT BIT 6.35-60	O	1			
021-1	191681-2	BATTERY 9000 SET		1			
402-2	824431-7	PLASTIC CARRYING CASE		1	*		
C10	182935-8	SLIDE LATCH (R.L) SET		1	*		
402-3	824616-5	PLASTIC CARRYING CASE	X	1			
C10	182935-8	SLIDE LATCH (R.L) SET		1			
403	414938-7	BATTERY COVER		1			
500A_	***DC9700	DC9700 FAST CHARGER		1	*		
500A1	***DC9710	DC9710 BATTERY CHARGER	O	1	*		
500A2	***DC1414	DC1414 BATTERY CHARGER	<	1			

Please state Parts No. when your order.

Print Date 10/09/2023