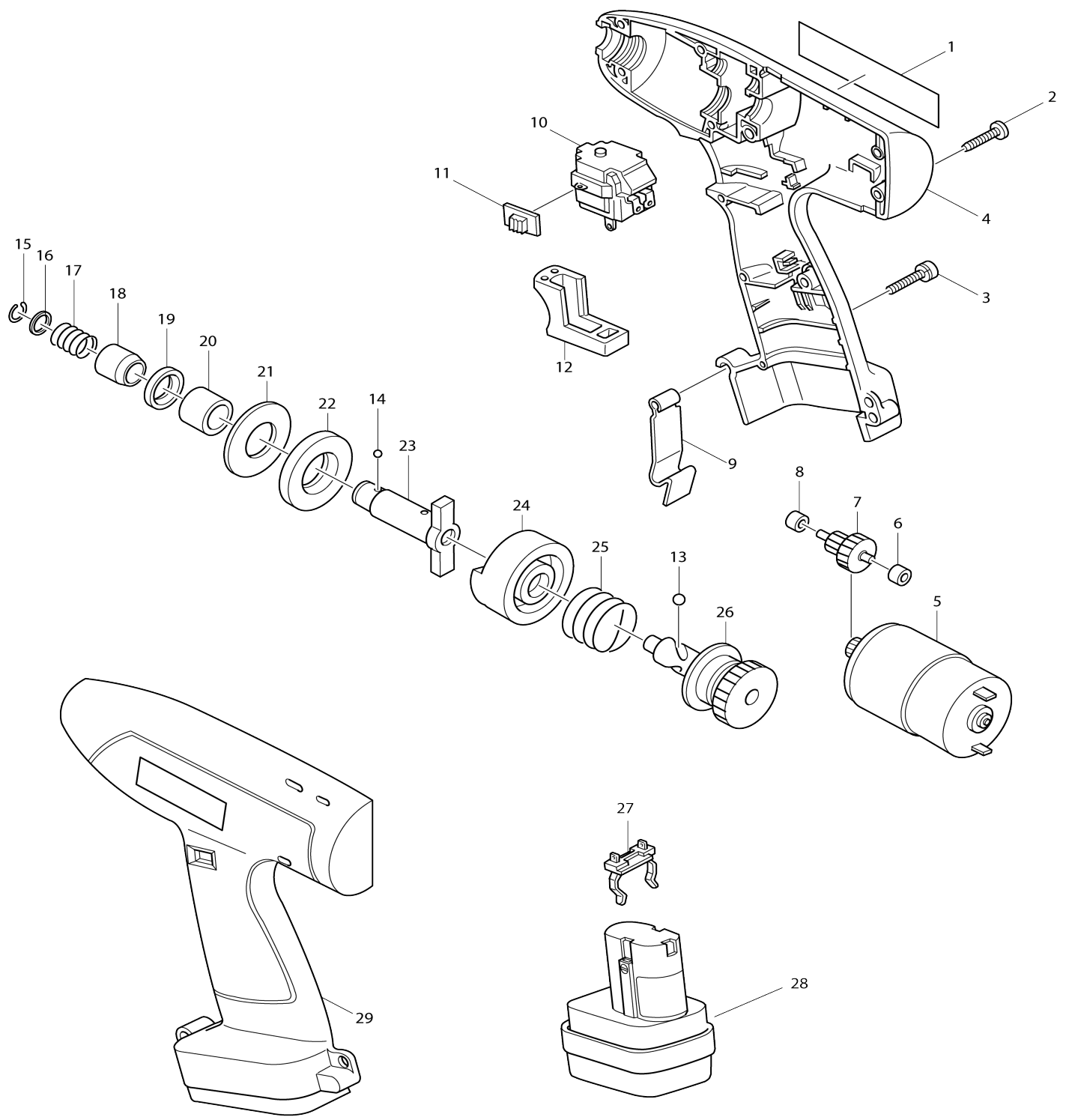


Model No.6903VD CORDLESS IMPACT DRIVER



Model No.6903VD CORDLESS IMPACT DRIVER

Item No.	Parts No.	Description	Interchangeability	Q'ty	New/Old	Note1	Note2
001	856746-4	NAME PLATE 6903VD		1			
002	265925-7	TAPPING SCREW BT4X20		9	*		
002-1	265925-7	TAPPING SCREW BT4X20	O	10			
003	911138-5	P.H.SCREW M4X20 WITH WR		1	*		
003-1	911143-2	PAN HEAD SCREW M4X22	O	1			
004	182423-5	HOUSING SET		1	*		
D10		INC. 29					
004-1	182640-7	HOUSING SET	O	1	*		
D10		INC. 29					
004-2	182804-3	HOUSING SET	X	1	*		
D10		INC. 29					
004-3	183168-8	HOUSING SET	X	1			
C11	263024-9	RUBBER PIN 4		2			
C20	819063-3	MAKITA LABEL		1			
D10		INC. 29					
005	629577-2	DC MOTOR 9.6V		1			
C10	221882-9	SPUR GEAR 15		1			
006	214027-6	PLANE BEARING 4		1			
007	226105-0	GEAR COMPLETE 11-37		1			
008	214027-6	PLANE BEARING 4		1			
009	343579-1	SET PLATE		1			
010	651909-5	SWITCH C3KE		1	*		
010-1	650500-6	SWITCH	O	1			
011	414740-8	LEVER		1			
012	414708-4	SWITCH LEVER		1	*		
012-1	415671-4	SWITCH LEVER	O	1			
013	216011-7	STEEL BALL 5.6		2			
014	216001-0	STEEL BALL 3.5		2			
015	231951-8	RING SPRING 11		1			
016	267085-1	FLAT WASHER 12		1			
017	233005-7	COMPRESSION SPRING 13		1			
018	322434-0	SLEEVE		1	*		
018-1	324420-7	SLEEVE	O	1			
019	213151-2	OIL SEAL 14		1			
020	257629-5	SLEEVE 14		1			
021	261075-6	RUBBER WASHER 20		1			
022	267062-3	FLAT WASHER 14		1	*		
022-1	261099-2	NYLON WASHER 14	O	1			
023A_	322458-6	ANVIL M		1			
024	322259-2	HAMMER		1			
025	231463-1	COMPRESSION SPRING 24		1			
026	153205-2	SPINDLE COMPLETE		1			
027-1	643918-8	BATTERY HOLDER		1			
028	192019-4	BATTERY 9100 SET		1			
029	182423-5	HOUSING SET		1	*		
D10		INC. 4					
029-1	182640-7	HOUSING SET	O	1	*		

D10		INC. 4					
029-2	182804-3	HOUSING SET	X	1	*		
D10		INC. 4					
029-3	183168-8	HOUSING SET	X	1			
C11	263024-9	RUBBER PIN 4		2			
C20	819063-3	MAKITA LABEL		1			
D10		INC. 4					
A01	322279-6	BIT PIECE		1			
A02	784203-1	PHILLIPS BIT 2-65		1	*		
A02-1	784203-1	PHILLIPS BIT 2-65	O	1	*		
A02-2	784203-1	PHILLIPS BIT 2-65	O	1			
A03	784209-9	PHILLIPS BIT 3-65		1			
A05	414938-7	BATTERY COVER		1			
A04-1	824364-6	PLASTIC CARRYING CASE		1			
C10	182935-8	SLIDE LATCH (R.L) SET		1			
B01A_	***DC9700	DC9700 FAST CHARGER		1	*		
B01A 1	***DC9710	DC9710 BATTERY CHARGER	O	1	*		
B01A 2	***DC1414	DC1414 BATTERY CHARGER	<	1			

Please state Parts No. when your order.

Print Date 10/09/2023