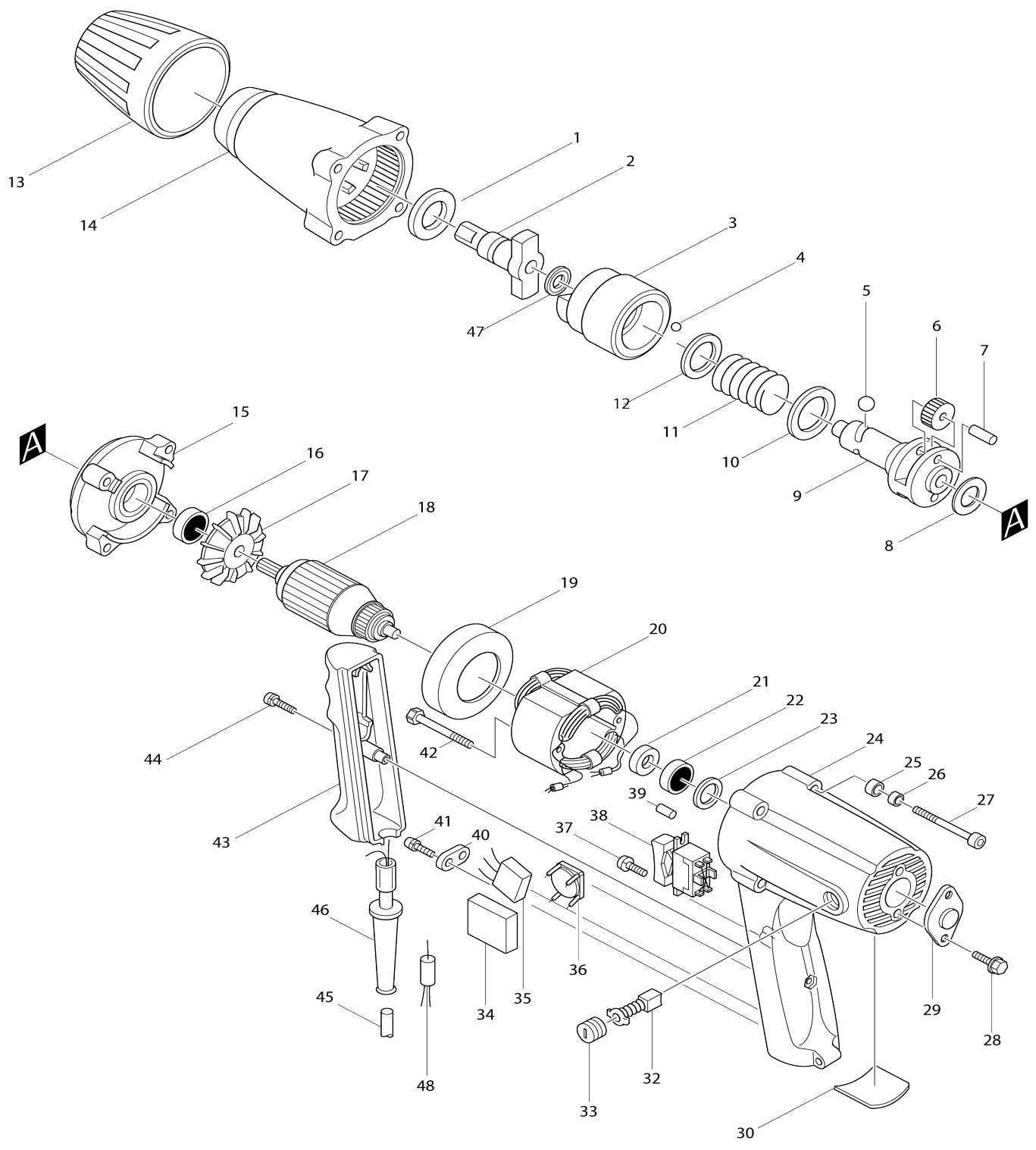


Model No.6905B IMPACT WRENCH



Model No.6905B IMPACT WRENCH

Item No.	Parts No.	Description	Interchangability	Q'ty	New/Old	Note1	Note2
D10		COMPO-PARTS					
A05	197280-8	BATTERY BL1850B SET		2			
D10		COMPO-PARTS					
A05	197280-8	BATTERY BL1850B SET		2			
C40	345205-8	BRANCH CATCHER		1			
C50	911208-0	PAN HEAD SCREW M5X10		1			
C30	265181-9	+TRUSS HEAD SCREW M5X20		7			
C40	345205-8	BRANCH CATCHER		1			
C50	911208-0	PAN HEAD SCREW M5X10		1			
C40	345205-8	BRANCH CATCHER		1			
C50	911208-0	PAN HEAD SCREW M5X10		1			
001	253937-2	FLAT WASHER 18		1			
002	132311-6	ANVIL ASS'Y		1			
D10		INC. 47					
003-1	322246-1	HAMMER		1			
004	216008-6	STEEL BALL 4		20			
005	216007-8	STEEL BALL 6.4		2			
006	221849-7	SPUR GEAR 33		2			
007	256033-5	PIN 6		2			
008	253794-8	FLAT WASHER 18		1			
009	321118-7	SPINDLE		1			
010	253751-6	FLAT WASHER 24		1			
011	231261-3	COMPRESSION SPRING 24		1			
012	253793-0	FLAT WASHER 22		1			
013	421157-8	BUMPER		1			
014-1	156544-9	HAMMER CASE		1			
C10	213257-6	OIL SEAL 18		1			
C20	221850-2	INTERNAL GEAR 73		1			
C30	321119-5	SLEEVE 18		1			
015	152145-1	BEARING HOUSING COMPLETE		1			
016	211031-6	BALL BEARING 608LLB		1			
017	241622-9	FAN 62		1			
018F_	518143-9	ARMATURE ASS'Y 220V		1			
D10		INC. 16,17,21,22					
019	411601-3	BAFFLE PLATE		1			
020K_	528167-7	FIELD ASS'Y 220V		1			
C10	654018-9	RING TERMINAL		2			
C20	654501-6	CONNECTOR P-1.25		2			
021	681614-0	INSULATION WASHER		1			
022	211026-9	BALL BEARING 627LLB		1	*		
022-1	210025-8	BALL BEARING 627LLB	O	1			
023	262010-7	URETHANE RING 18		1			
024-1	159161-4	MOTOR HOUSING		1			
C10	643557-4	BRUSH HOLDER 5-8		2			
D10		INC. 39					
025	253929-1	CUP WASHER 5		4			
026	262001-8	URETHANE RING 5		4			

027	922903-7	HEX. SOCKET HEAD BOLT M5X50		4		
028	921226-0	HEX. BOLT M5X18		2		
029	285015-0	BEARING COVER 34		1		
030	815442-3	NAME PLATE 6905B		1		
032A_	191628-6	CARBON BRUSH CB-65		1		
033	643550-8	BRUSH HOLDER CAP 5-8		2		
034	685700-9	SPONGE SHEET		1		
035H_	645006-7	NOISE SUPPRESSOR		1		
036B_	646325-4	LINE COIL		1		
037	911106-8	PAN HEAD SCREW M4X8		1		
038-1	651558-8	SWITCH SL220SD-4		1	*	
038-2	651564-3	SWITCH SL220SD-4	O	1	*	
038-3	651564-3	SWITCH SL220SD-4	O	1		
039	263002-9	RUBBER PIN 4		1		
040C_	687031-2	STRAIN RELIEF		1		
041-1	911133-5	PAN HEAD SCREW M4X18		2		
042-1	265349-7	+ HEX. BOLT M4X50		2		
043	411600-5	HANDLE COVER		1		
044	911168-6	PAN HEAD SCREW M4X40		1		
045O 1	665865-3	POWER SUPPLY CORD 1.0-2-2.5		1		
046B_	682516-3	CORD GUARD 9.3-85		1	*	
046B1	682504-0	CORD GUARD 10-85	O	1		
047	231907-1	RING SPRING 10		1	*	
047-1	261074-8	NYLON WASHER 22	<	1		
048	261074-8	NYLON WASHER 22		1	*	
400-1	134831-6	SOCKET 19-38 ASS'Y		1	*	
C10	213398-8	O RING 24		1	*	
C20	256279-3	PIN 3		1	*	
C21	268057-9	PIN 4	O	1	*	
400-2	134831-6	SOCKET 19-38 ASS'Y		1		
C10	422B60-8	RUBBER RING21		1		
C20	256A75-5	PIN 4		1		
400A1	134851-0	SOCKET 22-38 ASS'Y		1		
C10	213399-6	O-RING 25		1		
C20	256279-3	PIN 3		1	*	
C21	268057-9	PIN 4	O	1		
400B1	134841-3	SOCKET 24-45 ASS'Y		1	*	
C10	213399-6	O-RING 25		1	*	
C20	256279-3	PIN 3		1	*	
C21	268057-9	PIN 4	O	1	*	
400B2	137071-5	SOCKET 24-38 ASS'Y		1		
C10	422B61-6	RUBBER RING23		1	*	
C11	B-54570	ORING 3PC SET 1/2" SQ 20-32M M	O	1		
C20	256A76-3	PIN 4		1	*	
C21	B-54617	PIN 3PC SET 1/2" SQ 20-32MM	O	1		
402-3	181937-1	STEEL CARRYING CASE		1	*	
402-4	824698-7	PLASTIC CARRYING CASE	O	1		
C10	182935-8	SLIDE LATCH (R.L) SET		1		
900-1	654531-7	TERMINAL BLOCK 2P		1	*	
900-2	654741-6	TERMINAL BLOCK	O	1		

906	645206-9	NOISE SUPPRESSOR		1		
907	819003-1	MAKITA LABEL		1		
E04	231907-1	RING SPRING 10		1		
F36	195870-1	DRILL BIT REMOVER SET		1		

Please state Parts No. when your order.

Print Date 03/01/2024