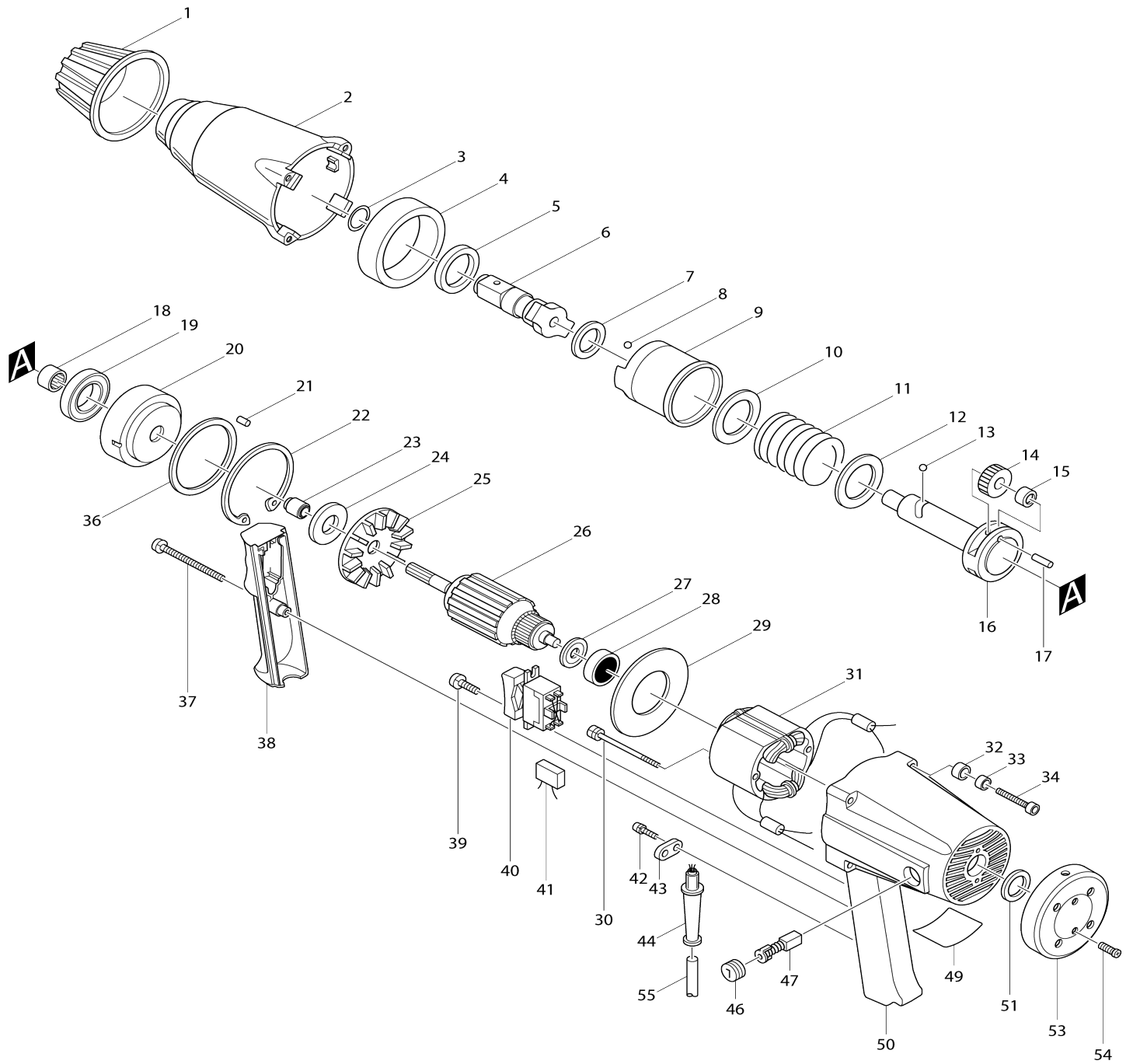


Model No.6906 IMPACT WRENCH



Model No.6906 IMPACT WRENCH

Item No.	Parts No.	Description	Interchangability	Q'ty	New/Old	Note1	Note2
001	421112-0	BUMPER		1			
002-1	156087-1	HAMMER CASE		1	*		
C10	213360-3	OIL SEAL 25		1	*		
C21	257535-4	SLEEVE 25		1	*		
002-2	141R37-7	HAMMER CASE COMPLETE	O	1			
C10	213360-3	OIL SEAL 25		1			
C21	257535-4	SLEEVE 25		1			
003	231920-9	RING SPRING 16		1			
004	257040-1	RING 65		1			
005	253939-8	FLAT WASHER 25		1			
006	325586-6	ANVIL		1	*		
006-1	324231-0	ANVIL	<	1			
007	261023-5	WASHER 27		1			
008	216008-6	STEEL BALL 4		30			
009	325318-1	HAMMER		1			
010	253764-7	FLAT WASHER 30		1			
011	231135-8	COMPRESSION SPRING 37		1			
012	253765-5	FLAT WASHER 36		1			
013	216009-4	STEEL BALL 7.1		2			
014	221243-3	SPUR GEAR 29		2			
015	212011-5	NEEDLE BEARING 609		2			
016	325322-0	SPINDLE		1			
017	256041-6	PIN 6		2			
018	212151-9	NEEDLE BEARING 1412		1			
019	211441-7	BALL BEARING 3009		1			
020	221242-5	INTERNAL GEAR 65		1			
021	256040-8	PIN 5		4			
022	962352-6	RETAINING RING R-75		1			
023	216103-2	INNER SLEEVE 1016		1			
024	253180-3	FLAT WASHER 10		1			
025	241609-1	FAN 73		1			
026C1	512883-1	ARMATURE ASS'Y 220V		1			
D10		INC. 23-28					
027	681613-2	INSULATION WASHER		1			
028	211031-6	BALL BEARING 608LLB		1			
029	413008-9	BAFFLE PLATE		1			
030-1	265350-2	+ HEX. BOLT M5X70		2			
031K_	527419-3	FIELD ASS'Y 220V		1			
C10	654019-7	RING TERMINAL		2			
C20	654501-6	CONNECTOR P-1.25		2			
032	253929-1	CUP WASHER 5		4			
033	262001-8	URETHANE RING 5		4			
034	922262-9	HEX. SOCKET HEAD BOLT M5X40		4			
036	253774-4	FLAT WASHER 65		1			
037	911173-3	PAN HEAD SCREW M4X45		1			
038-1	414959-9	HANDLE COVER		1			
039	911106-8	PAN HEAD SCREW M4X8		1			

040-2	651564-3	SWITCH SL220SD-4		1	*		
040-3	651564-3	SWITCH SL220SD-4	O	1			
041C_	645206-9	NOISE SUPPRESSOR		1			
042-1	911133-5	PAN HEAD SCREW M4X18		2			
043C_	687031-2	STRAIN RELIEF		1			
044A3	682540-6	CORD GUARD 9.3-90		1	*		
044A4	682505-8	CORD GUARD 10-90	O	1			
046	643600-9	BRUSH HOLDER CAP 6-10		2			
047	181030-1	CARBON BRUSH CB-100		1			
049	815088-5	NAME PLATE 6906		1			
050-2	159414-1	MOTOR HOUSING		1	*		
C10	643603-3	BRUSH HOLDER 6-10		2	*		
050-3	159414-1	MOTOR HOUSING	S	1			
C10	643603-3	BRUSH HOLDER 6-10		2			
051	262010-7	URETHANE RING 18		1			
053-1	284065-2	REAR COVER		1			
054-1	922221-3	HEX. SOCKET HEAD BOLT M5X16		2			
055C_	665865-3	POWER SUPPLY CORD 1.0-2-2.5		1			
400-1	273474-0	GRIP 37		1			
401	312700-3	GRIP BASE		1			
402	345086-0	BELT		1			
403	251920-3	CAP SQUARE NECK BOLT M6X30		1			
404	133183-2	SOCKET 32-56		1	*		
C10	213506-1	O RING 36		1	*		
C20	256089-8	PIN 5		1	*		
404-1	134871-4	SOCKET 32-52 ASS'Y	O	1	*		
C10	213514-2	O RING 38		1	*		
C20	256282-4	PIN 4		1	*		
406-3	182604-1	STEEL CARRYING CASE		1	*		
C10	819033-2	MAKITA LABEL		1	*		
406-4	182604-1	STEEL CARRYING CASE	O	1			
C10	819143-5	MAKITA LABEL		1			
500-1	122464-9	GRIP ASS'Y		1			
D10		INC. 400-403					
501	132389-9	ANVIL ASS'Y		1	*		
D10		INC. 3,6					
501-1	134946-9	ANVIL ASS'Y	<	1			
D10		INC. 3,6					
900	911111-5	PAN HEAD SCREW M4X10 WITH W		2			
902	646325-4	LINE COIL		1	*		
904	685700-9	SPONGE SHEET		1			
907	654526-0	TERMINAL PLATE		2			
908	819064-1	MAKITA MARK		1	*		

Please state Parts No. when your order.

Print Date 11/12/2023